

# PARTS CATALOGUE

## LIGHTNING 50 NXL-50

---



# CONTENTS

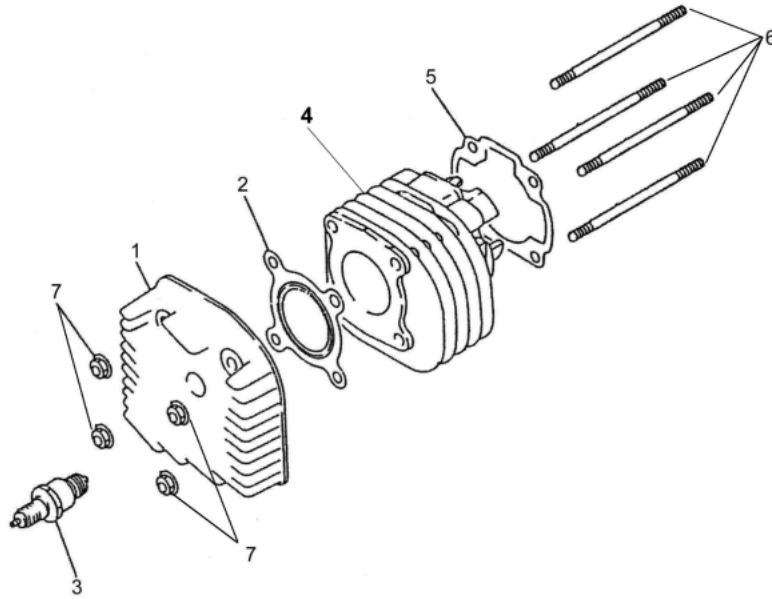
## PARTS ITEM:

- 01 CYLINDER HEAD
- 02 CRANKSHAFTPISTON
- 03 FAN COVERAIR SHROUD
- 04 AIR CLEANER REED VALVE CARBURETOR
- 05 CRANK CASECOVEROIL PUMP
- 06 TRANSMISSION
- 07 KICK SHAFT ASSY. STARTER CLUTCH ASSY.
- 08 DRIVEN PULLEY (CVT)
- 09 ENGINE BRACKET ENGINE ATV
- 10 GENERATOR START MOTOR
- 11 PREARRANGE
- 12 PREARRANGE
- 13 MUFFLER
- 14 FRAME
- 15 SWING ARMFOOTRESTFEND BARFRONT RACK
- 16 FENDER
- 17 SEAT
- 18 FUEL TANK OIL TANK
- 19 SUSPENSION
- 20 FRONT WHEEL
- 21 REAR WHEEL
- 22 FRONT BRAKE
- 23 REAR BRAKE
- 24 HANDLE BAR
- 25 REAR WHEEL AXLE
- 26 SWING ARM SUBPROTECT COVER
- 27 STEERING

- 28 ELECTRICAL EQUIPMENT
- 29 PACKING CASEEXTERNAL
- 35 CYLINDER+PISTON TOP END KIT
- 36 MAINTENANCE KIT 1 (MJ # 85)
- 37 MAINTENANCE KIT 2 (MJ # 85)

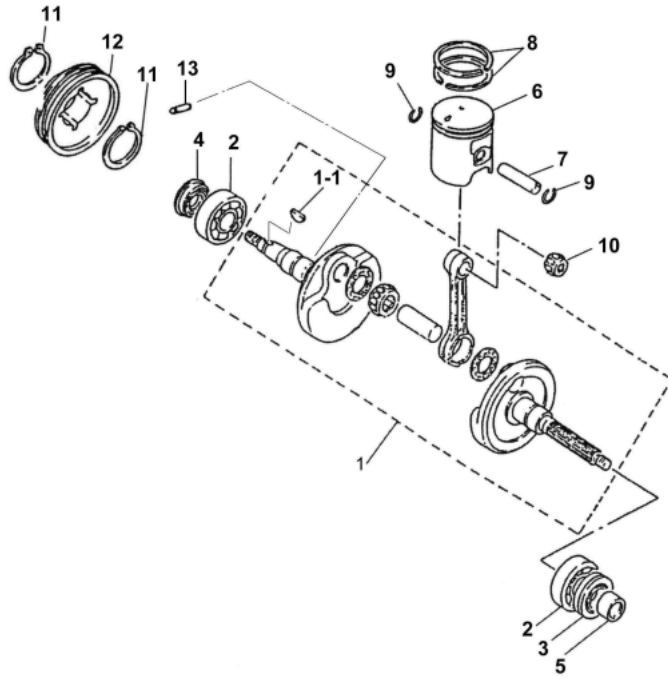
**N & sign meaning: not available to sale**

# 1. CYLINDER, HEAD



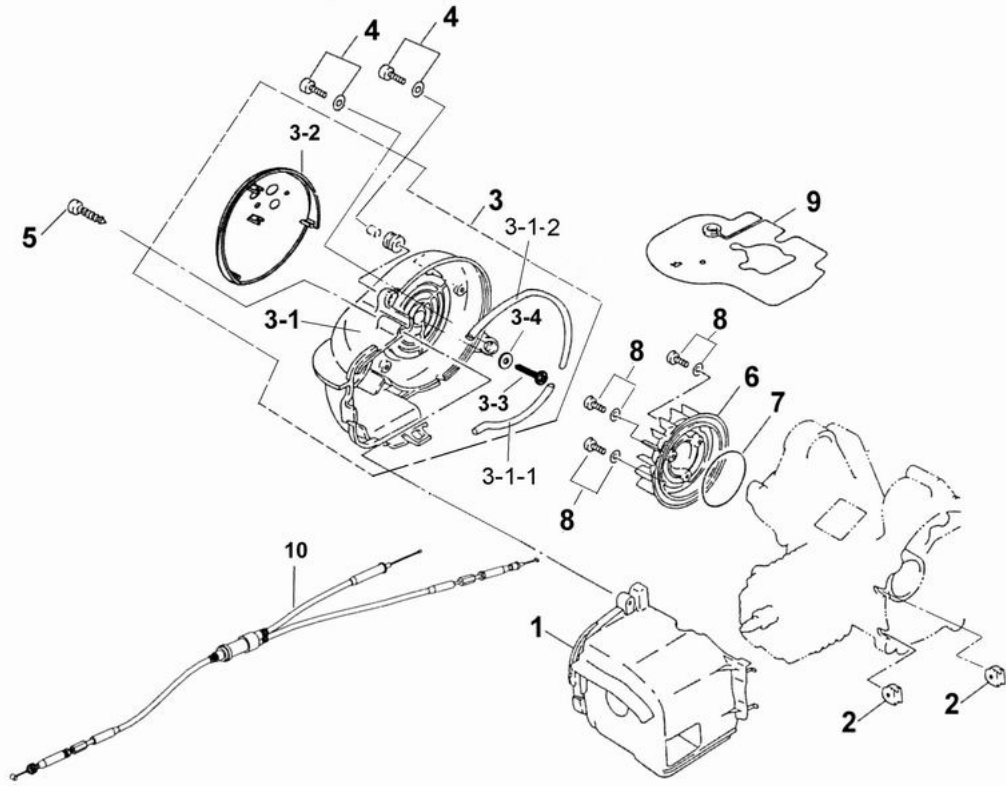
ITEM	AVAIL	PART NO.	NAME	QTY
01			CYLINDER HEAD	
01-1		A2200-B02-0000	HEAD CYLINDER	1
01-2		A2251-B02-0000	GASKET CYLINDER HEAD	1
01-3		I8000-B00-0000	SPARK PLUG	1
01-4		A2100-B02-0000	CYLINDER	1
01-5		A2191-B02-0000	GASKET CYLINDER	1
01-6		I0031-07109-0H	STUD BOLT	4
01-7		I4050-07070-0H	NUT FLANGE	4

## 2. CRANKSHAFT, PISTON



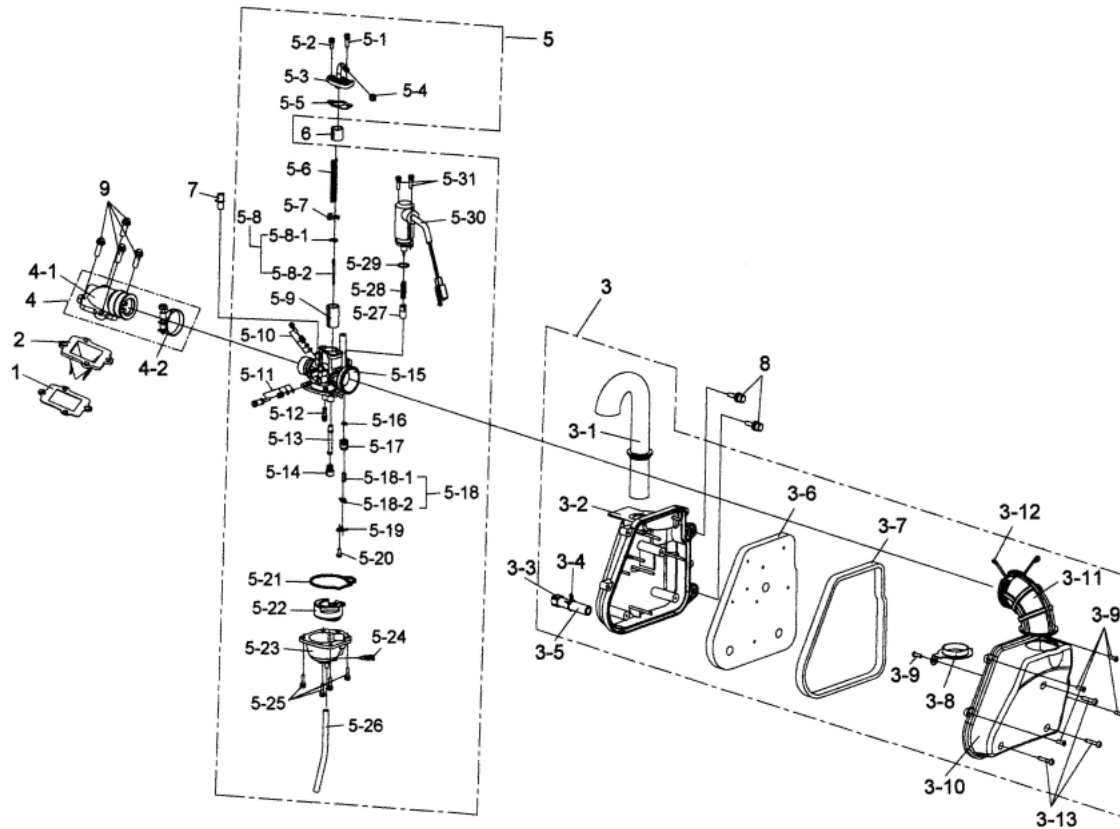
ITEM	AVAIL	PART NO.	NAME	QTY
02			CRANKSHAFTPISTON	
02-1		A3000-B02-9001	CRANKSHAFT COMP	1
02-1-1		I4401-13050	WOODRUFF KEY	1
02-2		I6100-62044-10	BEARING, BALL, RADIAL	2
02-3		I1202-B00-0000	OIL SEAL	1
02-4		I1201-B00-0000	OIL SEAL	1
02-5		B8117-B02-0000	BOSS	1
02-6		A3101-B02-0000	PISTON	1
02-7		A3111-B02-0000	PIN PISTON	1
02-8		A3011-B02-0000	PISTON RING SET	1
02-9		I4601-B02-0000	CLIP, PISTON PIN	2
02-10		I1100-1014125	BEARING, NEEDLE	1
02-11		I4510-19000	CIRCLIP EX	2
02-12		A5131-B00-0000	GEAR PUMP DRIVE	1
02-13		I4303-03118	KNOCK PIN	1

### 3. FAN COVER, SHROUD



ITEM	AVAIL	PART NO.	NAME	QTY
03			FAN COVERAIR SHROUD	
03-1		A9620-B02-0000	CYLINDER COVER	1
03-2		A1207-B00-0000	GROMMET	2
03-3		A961A-B00-0000	COVER FAN COMP	1
03-3-1		A9610-B00-0000	COVER COMP FAN	1
03-3-1-1		A9617-B00-0000	SEAL SHROUD 1	1
03-3-1-2		A9618-B00-0000	SEAL SHROUD 2	1
03-3-2		A9616-B00-0000	CAP FAN COVER	1
03-3-3		I3903-416B0	TRUSS	1
03-3-4		I4104-05316	WASHER	1
03-4		I3891-06020-0C	SCREW WASHER	2
03-5		I3901-240C0	SCREW TAPPING	1
03-6		A9510-B02-0000	FAN COMP COOLING	1
03-7		I4608-64431	O-RING	1
03-8		I3893-06016-0H	SCREW WASHER	3
03-9		H0153-B00-0000	DEFLECTOR	1
03-10		A7910-5EE0-0000	CABLE ASSY., THROTTLE	1

## 4. AIR CLEANER, REED VALVE, CARBURETOR

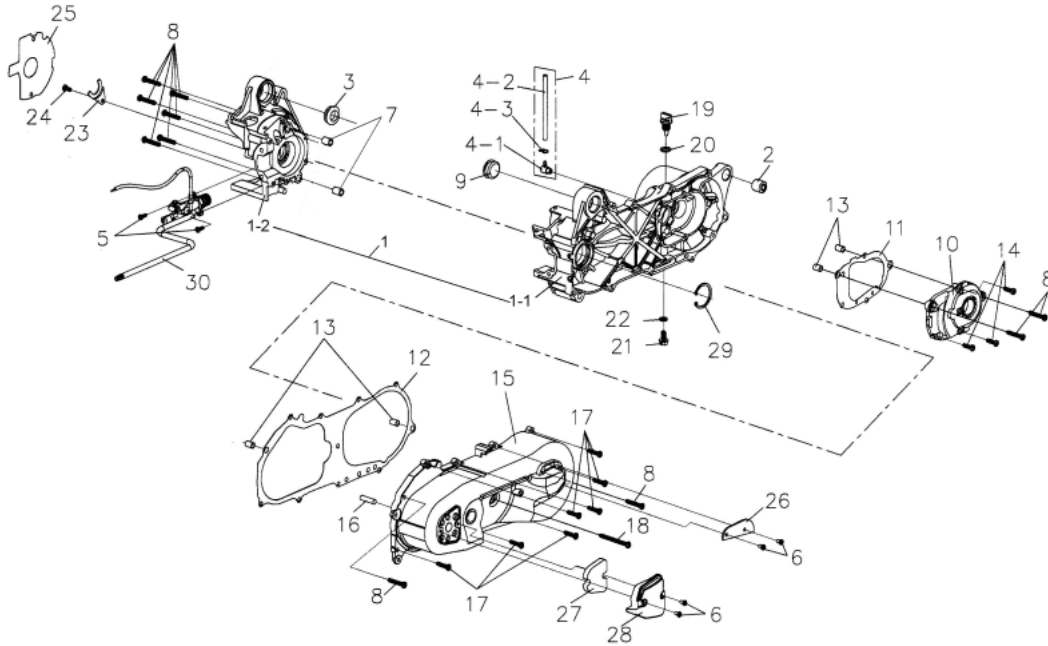


ITEM	AVAIL	PART NO.	NAME	QTY
04			AIR CLEANER REED VALVE CARBURETOR	
04-1		A6201-B00-0000	GASKET VALVE SEAT	1
04-2		A410A-B00-0000	REED VALVE ASSY	1
04-3		A720A-B00-7000	AIR CLEANER ASSY	1
04-3-1		A7257-B00-7000	DUCT	1
04-3-2		A7230-B00-0000	CASE AIR/C	1
04-3-3		A7232-B00-0000	CAP	1
04-3-4		I5002-12312	TUBE CLIP	1
04-3-5		A7234-B00-0000	TUBE DRAIN	1
04-3-6		A7205-B00-0000	WEB AIR/C	1
04-3-7		A7214-B00-0000	SEAL	1
04-3-8		A7233-B00-0000	PLATE FIXING CONNECTING TUBE	1
04-3-9		I3903-312B0	TRUSS	5
04-3-10		A7231-B00-0000	COVER AIR/C	1
04-3-11		A7253-B00-0000	JOIN PIPE AIR CLEANER	1
04-3-12		I5002-43022	TUBE CLIP	1
04-3-13		I3901-425C0	SCREW TAPPING	3
04-4		A711A-B00-0000	PIPE INLET ASSY	1
04-4-1		A7110-B00-0000	PIPE COMP INLET	1
04-4-2		A7256-B00-0000	BAND CONNECTING TUBE	1
04-5		A610A-B02-0001	CARBURETOR ASSY.	1
04-5-1		A6100-B02-0001	CARBURETOR COMP	1
04-5-1-1		I3895-04012-0H	BOLT WASHER	6
04-5-1-2		A6102-B00-0000-M1	CARBURETOR COVER	1
04-5-1-3		A6112-B00-0000-M1	NUT HEX	1
04-5-1-4		A6103-B00-0000-M1	CARBURETOR COVER WASHER	1
04-5-1-5		KAC31810-M1	SPRING, THROTTLE VALVE	1
04-5-1-6		KAC30310-M1	V CLIP	1
04-5-1-7		KAB90220-M1	JET NEEDLE COMP.	1
04-5-1-7-1		KAC30222-M1	E CLIP	1
04-5-1-7-2		KAB90221-M1	JET NEEDLE	1
04-5-1-8		KAC30110-M1	THROTTLE VALVE	1
04-5-1-9		A6105-B00-0000-M1	AIR SCREW	1
04-5-1-10		KAC30840-M1	ADJUSTING SCREW	1
04-5-1-11		KAC31510-M1	SLOW JET (*17.5)	1
04-5-1-12		KAB30610-M1	NEEDLE JET	1
04-5-1-13		KAC30410-M1	MAIN JET # 85	1
04-5-1-14		A6104-B00-0000-M1	CARBURETOR BODY	1

04-5-1-15		A0001-B00-0000-M1	NEEDLE VALVE SEAT COMP	1
04-5-1-15-1		A6119-B00-0000-M1	NEEDLE VALVE SEAT	1
04-5-1-15-2		KAC31120-M1	NEEDLE VALVE ASSY.	1
04-5-1-16		A6120-B00-0000-M1	PLATE FIXING	1
04-5-1-17		A6115-B00-0000-M1	BOLT	1
04-5-1-18		KAC30910-M1	CHAMBER GASKET	1
04-5-1-19		KAC31210-M1	FLOAT ASSY	1
04-5-1-20		A6108-B00-0000-M1	CARBURETOR CHAMBER	1
04-5-1-21		KAC31410-M1	DRAIN SCREW	1
04-5-1-22		A6106-B00-0000-M1	RUBBER TUBE	1
04-5-2		KAC32910-M1	AUTO-BY STARTER	1
04-5-3		A6114-B00-0000-M1	BOLT WASHER	1
04-5-4		A6112-B00-0000	NUT HEX	1
04-5-5		A6103-B00-0000	CARBURETOR COVER WASHER	1
04-5-6		KAC31810	THROTTLE VALVE SPRING	1
04-5-7		KAC30310	V CLIP	1
04-5-8		KAB90220	JET NEEDLE ASSY. (#3CR1)	1
04-5-8-1	N	KAC30222	E CLIP	1
04-5-8-2	N	KAB90221	JET NEEDLE (#3CR1)	1
04-5-9		KAC30110	THROTTLE VALVE (#3.0)	1
04-5-10		A6105-B00-0000	AIR FLOW ADJUSTING SCREW	1
04-5-11		KAC30840	THROTTLE ADJUSTING SCREW	1
04-5-12		KAC30510	SLOW JET (*20)	1
04-5-13		KAB90610	NEEDLE JET (*426 E-1)	1
04-5-14		KAC30410	MAIN JET # 85	1
04-5-15		A6104-B00-0000	CARBURETOR BODY	1
04-5-16		A6118-B00-0000	O-RING	1
04-5-17	N	A6119-B00-0000	NEEDLE VALVE SEAT	1
04-5-18	N	KAC31120	NEEDLE VALVE ASSY.	1
04-5-18-1	N	KAC31121	NEEDLE VALVE	1
04-5-18-2	N	KAC31122	FLOAT CLIP	1
04-5-19		A6120-B00-0000	PLATE FIXING	1
04-5-20		A6115-B00-0000	BOLT	1
04-5-21		KAC30910	CHAMBER O-RING	1
04-5-22		KAC31210	FLOAT ASSY	1
04-5-23		A6108-B00-0000	CARBURETOR CHAMBER	1
04-5-24		KAC31410	DRAIN SCREW	1
04-5-25		A6117-B00-0000	BOLT WASHER	4
04-5-26		A6106-B00-0000	RUBBER TUBE	1

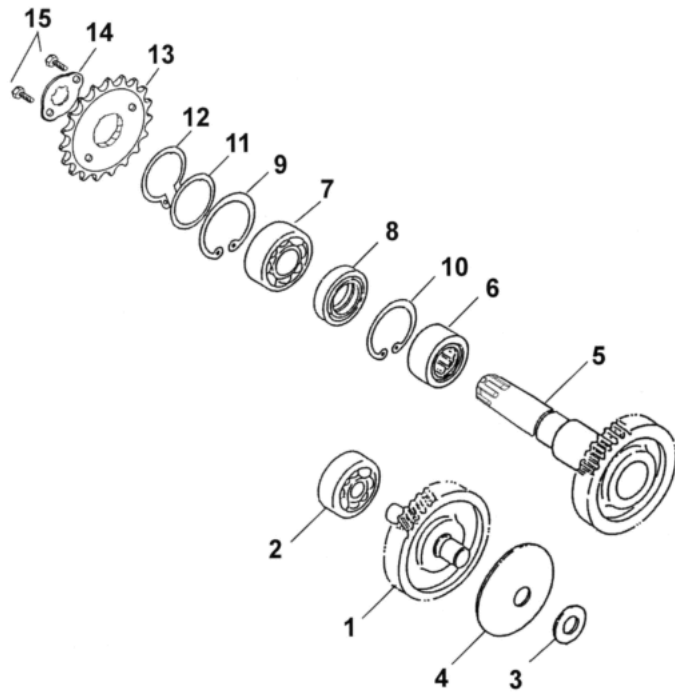
04-5-27		A6153-B00-0000	MANUAL CHOKE VALVE	1
04-5-28		A6152-B00-0000	SPRING	1
04-5-29		A6113-B00-0000	O-RING	1
04-5-30		KAC31910	AUTO-BY STARTER	1
04-5-31		A6114-B00-0000	BOLT WASHER	2
04-6		A6022-5EC9-0000	RESTRICTOR CARBURETOR	1
04-7		A6101-B02-0000	CRAB RUBBER CAP	1
04-8		I6706-06020-0C	SCREW WASHER	2
04-9		I6001-06020-0H	FLANGE BOLT, HEX.	4

## 5. CRANK CASE, COVER ,OIL PUMP



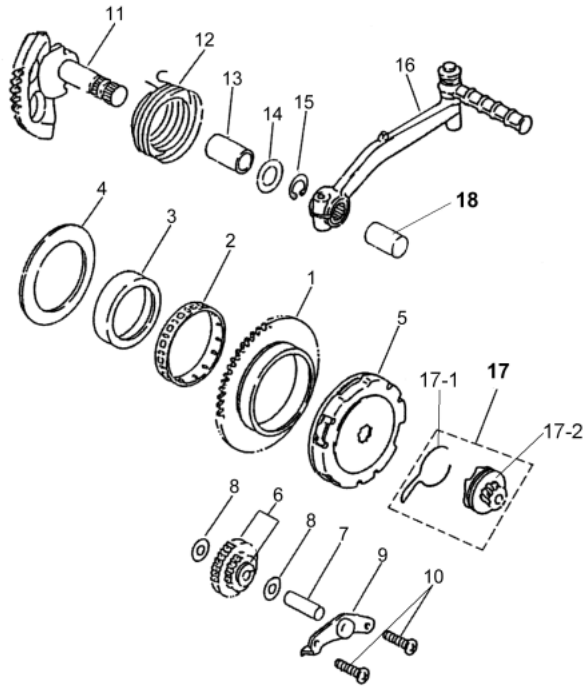
ITEM	AVAIL	PART NO.	NAME	QTY
05			CRANK CASECOVEROIL PUMP	
05-1		A1000-B02-0000	R L CRANK CASE COMP	1
05-1-1	N	A1200-B02-8900	CRANK CASE L	1
05-1-2	N	A1100-B02-9900	CRANK CASE R	1
05-2		A1203-B00-0000	RUBBER BUSH RR CUSHION	1
05-3		A1105-B00-0000	CAP RUBBER R	1
05-4		A1220-B00-0000	BREATHER COMP	1
05-4-1	N	A1206-B00-0000	BREATHER JOINT	1
05-4-2	N	A1221-B00-0000	HOSE, BREATHER	1
05-4-3		I5002-06008	TUBE CLIP	1
05-5		I3500-05014-0A	SCREW PAN HEAD	2
05-6		I3500-05008-0G	SCREW PAN HEAD	4
05-7		I4301-12160	KNOCK PIN	2
05-8		I3500-06035-0A	SCREW PAN	10
05-9		A1205-B00-0000	RUBBER CAP LEFT	1
05-10		B1300-B00-0000	COVER, MISSION	1
05-11		B1395-B00-0000	GASKET, MISSION COVER	1
05-12		A1395-B00-0000	GASKET L COVER	1
05-13		I4301-10140	KNOCK PIN	4
05-14		I3500-06020-0A	SCREW PAN	3
05-15		A1341-B02-0000	COVER L SIDE	1
05-16		A1342-B00-0000	SHAFT	1
05-17		I3500-06025-0A	SCREW PAN	8
05-18		I3500-06065-0A	SCREW PAN	1
05-19		A5651-B00-0000	PLUG, OIL	1
05-20		I4608-13825	O-RING	1
05-21		I5701-08016-0H	BOLT FLANGE	1
05-22		I4104-08015	WASHER	1
05-23		A1121-B00-0000	HOLDER	1
05-24		I3500-06012-0A	SCREW, PAN	1
05-25		A1393-B00-0000	GASKET R CRANK CASE	1
05-26		A1364-B02-0000	PLATE	1
05-27		A1362-B02-0000	ELEMENT	1
05-28		A1363-B02-0000	COVER ELEMENT	1
05-29		I4520-42000	CIRCLIP IN	1
05-30		A510A-B02-9000	PUMP ASSY OIL	1

# 6. TRANSMISSION



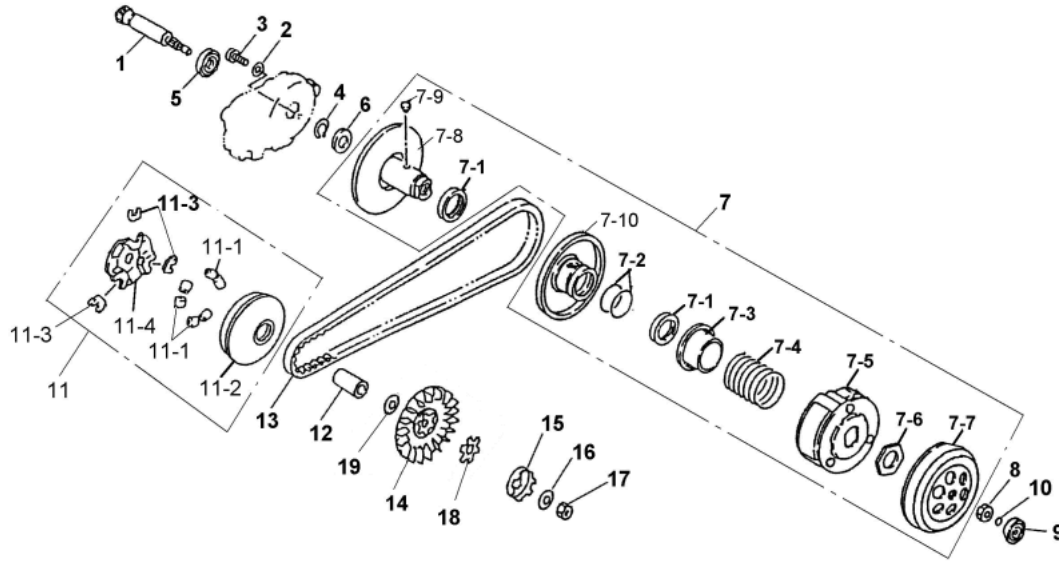
ITEM	AVAIL	PART NO.	NAME	QTY
06			TRANSMISSION	
06-1		B3420-B02-0000	COUNTER SHAFT COMP	1
06-2		I6100-62013-10	BEARING, BALL, RADIAL	1
06-3		I4104-12310	WASHER	1
06-4		I700W-12027	SPOKE NIPPLE WASHER	1
06-5		B3430-B02-9000	FINAL SHAFT COMP	1
06-6		I1130-253316	BEARING, NEEDLE	1
06-7		I6150-60040-10	BEARING, BALL, RADIAL	1
06-8		I1204-B00-0000	OIL SEAL	1
06-9		I4520-42000	CIRCLIP IN	1
06-10		I4530-32000	CIRCLIP	1
06-11		I4104-20210	WASHER	1
06-12		I4510-20000	CIRCLIP EX	1
06-13		B3801-B02-9000	DRIVE CHAIN SPROCKET (19T)	1
06-14		B3811-A00-0000	PLATE FIXING	1
06-15		I2201-06010-0H	BOLT, HEX.	2

## 7. KICK SHAFT ASSY., STARTER CLUTCH ASSY.



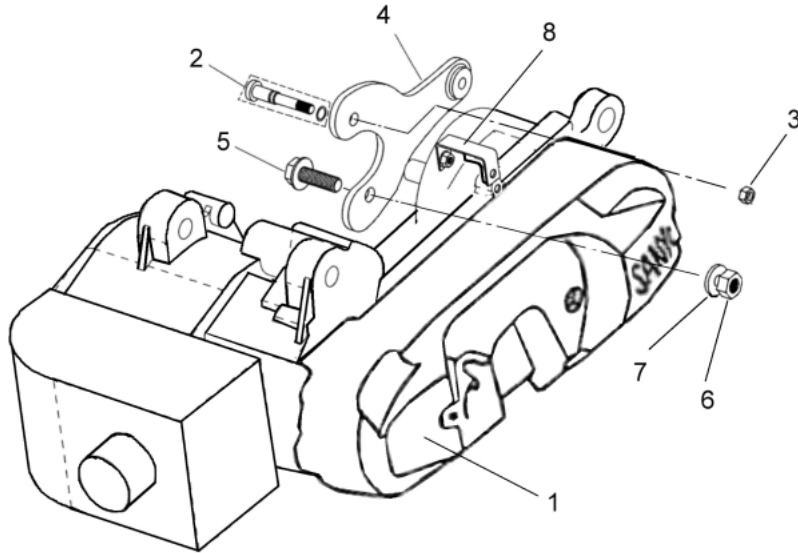
ITEM	AVAIL	PART NO.	NAME	QTY
07			KICK SHAFT ASSY. STARTER CLUTCH ASSY.	
07-1		B8110-B02-0000	GEAR COMP STARTING CLUTCH	1
07-2		I1100-555913	BRARING, NEEDLE	1
07-3		B8115-B00-0000	BOSS GEAR	1
07-4		I4104-55506	WASHER	1
07-5		B8120-B02-0000	OUTER COMP ST CLUTCH	1
07-6		B8100-B02-0000	GEAR COMP STARTER REDUCTION	1
07-7		B8102-B02-0000	SHAFT START REDUCTION	1
07-8		I4104-08218	WASHER	2
07-9		B8105-B00-0000	PLATE START REDUCTION	1
07-10		I3892-06014-0H	SCREW, PAN	2
07-11		B8250-B00-9000	SPINDLE COMP KICK START	1
07-12		B8281-B00-0000	SPRING KICK RETURN	1
07-13		B8254-B00-0000	BOSS KICK SPINDLE	1
07-14		I4104-15010	WASHER	1
07-15		I4510-15000	CIRCLIP EX	1
07-16		B8300-B00-9001	ARM COMP KICK STARTER	1
07-17		B823A-B00-0000	GEAR ASSY STARTER IDLE	1
07-17-1		B8223-B00-0000	SPG KICK DRIVEN GEAR	1
07-17-2		B8230-B00-0000	GEAR COMP KICK DRIVEN	1
07-18		A1000-5EA0-0000	RUBBER CAP KICK SHAFT	1

### 8.DRIVEN PULLEY(CVT)



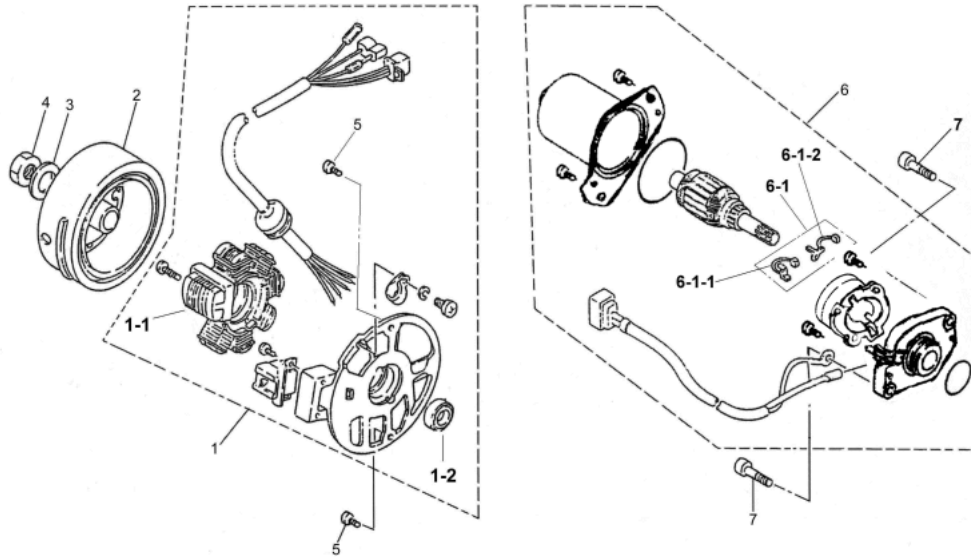
ITEM	AVAIL	PART NO.	NAME	QTY
08			DRIVEN PULLEY (CVT)	
08-1		B3411-B02-0000	SHAFT DRIVE	1
08-2		I4104-06512A	WASHER	1
08-3		I3500-06010-0A	SCREW, PAN	1
08-4		I4510-17000	CIRCLIP EX	1
08-5		I6100-60030	BEARING, BALL, RADIAL	1
08-6		I1203-B00-0000	OIL SEAL	1
08-7		B301A-B02-9000	PULLEY ASSY DRIVEN	1
08-7-1		I1211-B00-0000	OIL SEAL	2
08-7-2		I4608-36719	O-RING	2
08-7-3		B3237-B00-0000	COLLAR SEAL	1
08-7-4		B3233-B02-0000	SPG DRIVEN FACE	1
08-7-5		B2300-B00-0000	PLATE COMP DRIVE	1
08-7-6		I4002-281A0	NUT HEX	1
08-7-7		B2101-B00-0000	OUTER CLUTCH	1
08-7-8		B3210-B00-0000	FACE COMP DRIVEN	1
08-7-9		B3225-B00-0000	PIN GUIDE	2
08-7-10		B3220-B00-0000	FACE COMP MOVABLE DRIVE	1
08-8		I4050-10080-0H	NUT FLANGE	1
08-9		I6130-60380-10	BEARING, BALL, RADIAL	1
08-10		I4608-64531	O-RING	1
08-11		B211A-B02-0000	FACE ASSY MOVABLE DRIVE	1
08-11-1		A0001-B02-0000	ROLLER COMP WEIGHT	1
08-11-1		B2121-B02-0000	ROLLER COMP WEIGHT	6
08-11-1-1		B2121-B02-0000	ROLLER COMP WEIGHT	6
08-11-2		B2110-B02-0000	FACE COMP MOVABLE DRIVE	1
08-11-2		B2110-B02-0000	FACE COMP MOVABLE DRIVE	1
08-11-3		B2132-B00-0000	PIECE SLIDE	3
08-11-3		B2132-B00-0000	PIECE SLIDE	3
08-11-4		B2131-B02-0000	PLATE RAMP	1
08-11-4		B2131-B02-0000	PLATE RAMP	1
08-12		B2105-B02-0000	BOSS DRIVE FACE	1
08-13		B3100-B00-0000	BELT DRIVE	1
08-14		B2102-B02-0000	FACE DRIVE	1
08-15		B8211-B02-0000	CLUTCH ONEWAY	1
08-16		I700W-10126	SPOKE NIPPLE WASHER	1
08-17		I4001-100C0	NUT HEX	1
08-18		B2103-B02-0000	WASHER DRIVE FACE	1
08-19		I4104-13010	WASHER	1

# 9.ENGINE BRACKET



ITEM	AVAIL	PART NO.	NAME	QTY
09			ENGINE BRACKET ENGINE ATV	
09-1		AB000-B02-9003	ENG ATV	1
09-2		A1261-B00-9000	PIN, PIVOT	1
09-3		I0309-0800H	HEX. NUT, SAFETY	1
09-4		A1240-B00-0000	ENGINE BRACKET COMP	1
09-5		I5702-12038-0H	BOLT FLANGE	1
09-6		I4001-121H0	NUT HEX	1
09-7		I4104-12210	WASHER	1
09-8		A1251-5EE0-0000	BRACKET,OIL TANK	1

## 10.GENERATOR, START MOTOR



ITEM	AVAIL	PART NO.	NAME	QTY
10			GENERATOR START MOTOR	
10-1		C1120-B00-0000	STATOR COMP	1
10-1-1	N	C1121-B00-0000	STATOR	1
10-1-2	N	I1205-B00-0000	OIL SEAL	1
10-2		C1110-B02-0000	FLYWHEEL COMP	1
10-3		I4102-10520	WASHER	1
10-4		I4001-100C0	NUT HEX	1
10-5		I3500-06016-0A	SCREW, PAN	2
10-6		C1200-B02-0000	MOTOR START COMP	1
10-6-1		C1220-B02-0000	CARBON BRUSH ASSY.	1
10-6-1-1	N	C1221-B02-0000	POSITIVE CARBON BRUSH	1
10-6-1-2	N	C1222-B02-0000	NEGATIVE CARBON BRUSH	1
10-7		I6001-06022-0H	BOLT FLANGE SH	1

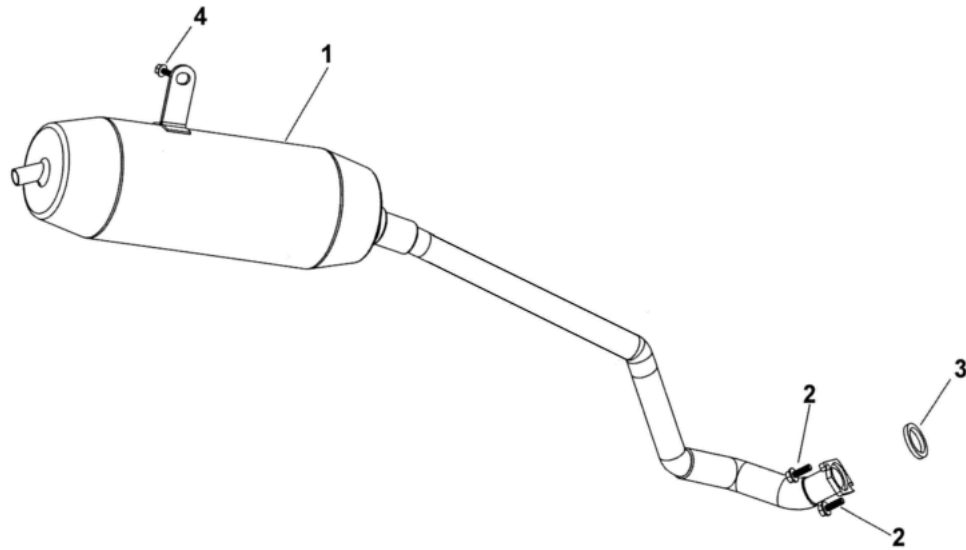
No picture.

ITEM	AVAIL	PART NO.	NAME	QTY
11			PREARRANGE	

No picture.

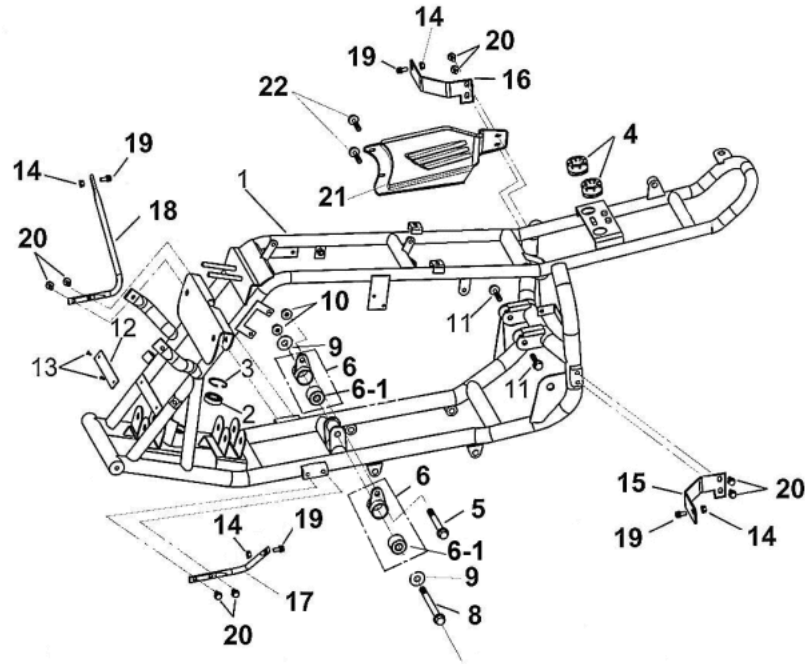
ITEM	AVAIL	PART NO.	NAME	QTY
12			PREARRANGE	

# 13. MUFFLER



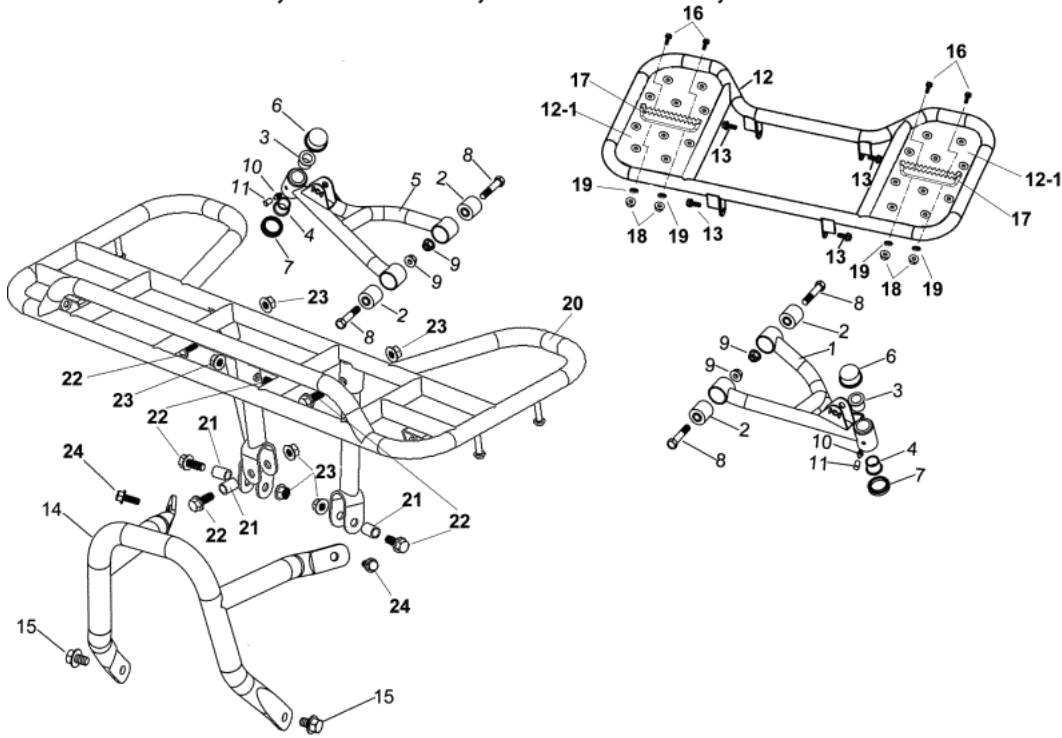
ITEM	AVAIL	PART NO.	NAME	QTY
13			MUFFLER	
13-1		A830A-5EA0-9000	MUFFLER PIPE ASSY.	1
13-2		I0149-06810	BOLT ,FLANGE	2
13-3		A8291-5AA0-0000	GASKET (34x25.4x4)	1
13-4		I0149-10022	SCREW,FLANGE	1

# 14. FRAME



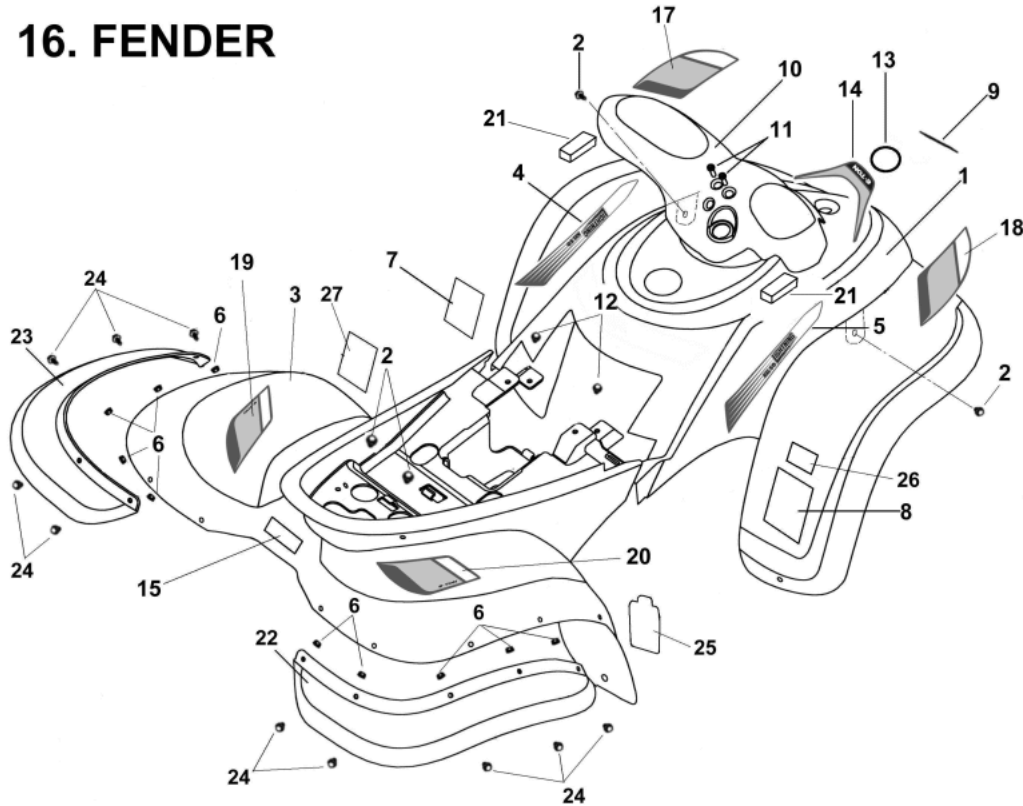
ITEM	AVAIL	PART NO.	NAME	QTY
14			FRAME	
14-1		E0100-5EB0-0000	FRAME COMP.	1
14-2		I6100-6002ZZ	BEARING (6002ZZ)	1
14-3		I4510-32000	C CLIP EX 32	1
14-4		G7212-5EA0-0000	RUBBER DAMPER	2
14-5		E0352-5EA0-0000	ENGINE SET BOLT(M10x85)	1
14-6		E0350-5EA0-0000	ENGINE SUSPENSION ASSY.	2
14-6-1		E0201-5EA0-0000	BUSH	2
14-8		E0351-5EA0-0000	FLANGE BOLT, HEX.	1
14-9		I9905-10100	WASHER	2
14-10		I5612-10200	HEX. FLANGE NUT, SAFETY	2
14-11		I0149-08036-01	BOLT,FLANGE	2
14-12	N	E0101-5EA0-0000	FRAME NUMBER PLATE	1
14-13		H750A-5BA1-0000	NAIL, PULL	2
14-14		I5611-06200-0G	HEX. FLANGE NUT, SAFETY	4
14-15		E0105-9ED0-0000	LEFT, FIXED PLATE,REAR FENDER	1
14-16		E0106-9ED0-0000	RIGHT, FIXED PLATE,REAR FENDER	1
14-17		E0107-5EA0-0000	LEFT FIXED PLATE,FRONT FENDER	1
14-18		E0108-5EA0-0000	RIGHT FIXED PLATE,FRONT FENDER	1
14-19		I0149-06823-01	BOLT,FLANGE(M6x23)	4
14-20		I0149-06012	FLANGE BOLT, HEX.	8
14-21		D0103-5EA0-0000	FRONT DRIVE CHAIN COVER	1
14-22		I0149-08016	FLANGE BOLT, HEX.	2

# 15.SWING ARM,FOOTREST,FENDER BAR,FRONT PACK



ITEM	AVAIL	PART NO.	NAME	QTY
15			SWING ARM FOOTREST FEND BAR FRONT RACK	
15-1	N	E0200-5EA0-0000	ARM, SUSPENSION, L.H.	1
15-2		E0201-5EA0-0000	BUSH	4
15-3		E0207-5EA0-0000	OIL LINER(15.5)	2
15-4		E0206-5EA0-0000	OIL LINER(17)	2
15-5		E0210-5EA0-0000	ARM, SUSPENSION, R.H.	1
15-6		E0202-5EA0-0000	WATERPROOF SEAL	2
15-7		E0203-5EA0-0000	DUST SEAT	2
15-8		I0102-10048	FLANGE BOLT, HEX.	4
15-9		I5611-10200	HEX. FLANGE NUT, SAFETY	4
15-10		I6600-06000	GREASE VALVE	2
15-11		E0209-5EA0-9000	CAP, GREASE VALVE	2
15-12		E0700-5EA0-0000	FOOTREST BAR ASSY	1
15-12-1		E0702-5EA0-0000	ANTI-SLIP BOARD	2
15-13		I0149-10022	SCREW,FLANGE	4
15-14		E0400-5EB0-0000	FEND BAR ASSY FRONT	1
15-15		I0149-08016	FLANGE BOLT, HEX.	2
15-16		I0149-06016	FLANGE BOLT, HEX.	4
15-17		E0701-5EC0-0000	ANTI-SLIP BOARD	2
15-18		I5611-06200	HEX. FLANGE NUT, SAFETY	4
15-19		I9901-08100	WASHER, SPRING	4
15-24		I0149-06012	FLANGE BOLT, HEX.	2

# 16. FENDER

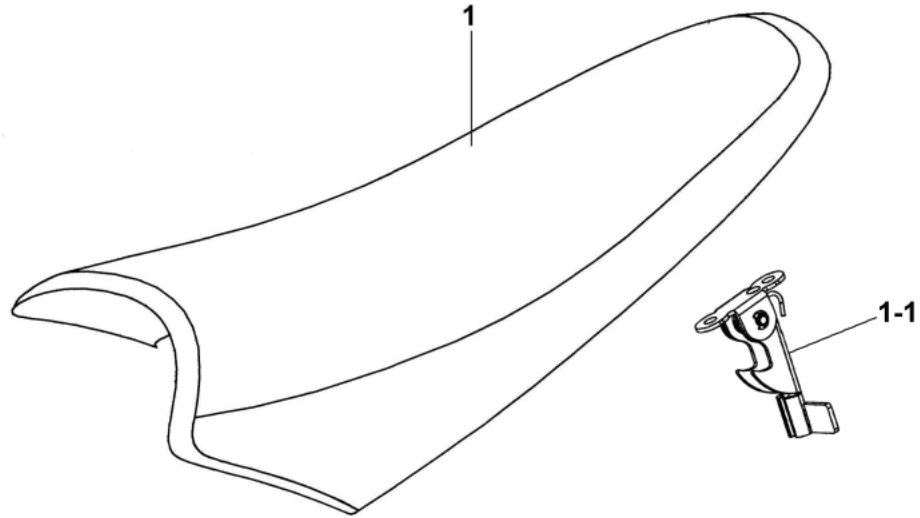


ITEM	AVAIL	PART NO.	NAME	QTY
16			FENDER	
16-1		F4300-9ED0-0100	FRONT FENDER(YELLOW)	1
16-1		F4300-9ED0-0200	FRONT FENDER(RED)	1
16-2		I0119-06802	BOLT, HEX.	4
16-3		H3500-9ED0-0200	REAR FENDER(RED)	1
16-3		H3500-9ED0-0100	REAR FENDER(YELLOW)	1
16-4		H7124-5ED0-0200	STICKER,NXL50(L) (RED)	1
16-4		H7124-5ED0-0100	STICKER,NXL50(L) (YELLOW)	1
16-5		H7125-5ED0-0200	STICKER,NXL50(R) (RED)	1
16-5		H7125-5ED0-0100	STICKER,NXL50(R) (YELLOW)	1
16-6		I5611-06200-0G	HEX. FLANGE NUT, SAFETY	10
16-7		H7103-5EA1-0000	STICKER,WARNING TIRE PSI	1
16-8		F4311-5EA0-0000	STICKER,WARNING(PASSENGER Y6)	1
16-9		F4309-5EA0-0000	STICKER, MFD.	1
16-10		E3205-5EB0-0100	COVER,HANDLE BAR(YELLOW)	1
16-10		E3205-5EB0-0200	COVER,HANDLE BAR(RED)	1
16-11		I3500-06025	SCREW,PAN HEAD(M6x25)	2
16-12		I0119-06821	BOLT, HEX.	2
16-14		H7121-5ED0-0200	STICKER,FRONT FENDER,ANTERIOR(RED)	1
16-14		H7121-5ED0-0100	STICKER,FRONT FENDER,ANTERIOR(Y)	1
16-15		H7106-5ED0-0000	WARNING STICKER,MUFFLER	1
16-17		H7122-5ED0-0100	STICKER, FRONT FENDER(YELLOW)(L)	1
16-17		H7122-5ED0-0200	STICKER, FRONT FENDER(RED)(L)	1
16-18		H7123-5ED0-1500	STICKER, FRONT FENDER(GREEN)(R)	1
16-18		H7123-5ED0-0100	STICKER, FRONT FENDER(YELLOW)(R)	1
16-18		H7123-5ED0-0200	STICKER, FRONT FENDER(RED)(R)	1
16-18		H7123-5ED0-1400	STICKER, FRONT FENDER(BULE)(R)	1
16-19		H7126-5ED0-0100	STICKER, REAR FENDER(YELLOW)(L)	1
16-19		H7126-5ED0-0200	STICKER, REAR FENDER(RED)(L)	1
16-20		H7127-5ED0-0100	STICKER, REAR FENDER(YELLOW)(R)	1
16-20		H7127-5ED0-0200	STICKER, REAR FENDER(RED)(R)	1

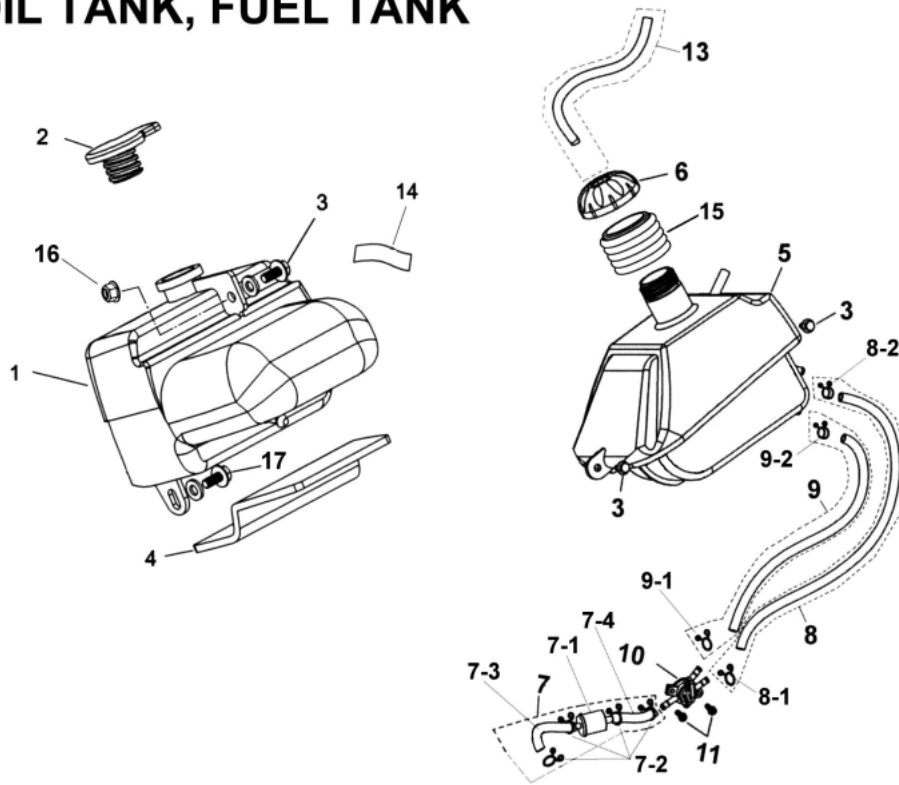
16-21		E3206-5EB0-0000	RUBBER PAD,HANDLE BAR	2
16-22		H3520-5EB0-0000	TRIM,RIGHT	1
16-23		H3620-5EB0-0000	TRIM,LEFT	1
16-24		E0117-9EA0-0000	SCREW, TRUSS	10
16-25		H7101-5EA1-0000	STICKER WARNING,CE	1
16-26		H7102-5EA1-0000	STICKER,CE	1
16-27		F4310-5EA0-0000	STICKER,WARNING,PASSENGER	1

# 17. SEAT

ITEM	AVAIL	PART NO.	NAME	QTY
17			SEAT	
17-1		G7200-9ED0-0000	SEAT ASSY.	1
17-1-1		G7201-9ED0-0000	SEAT FIXER,ASSY	1

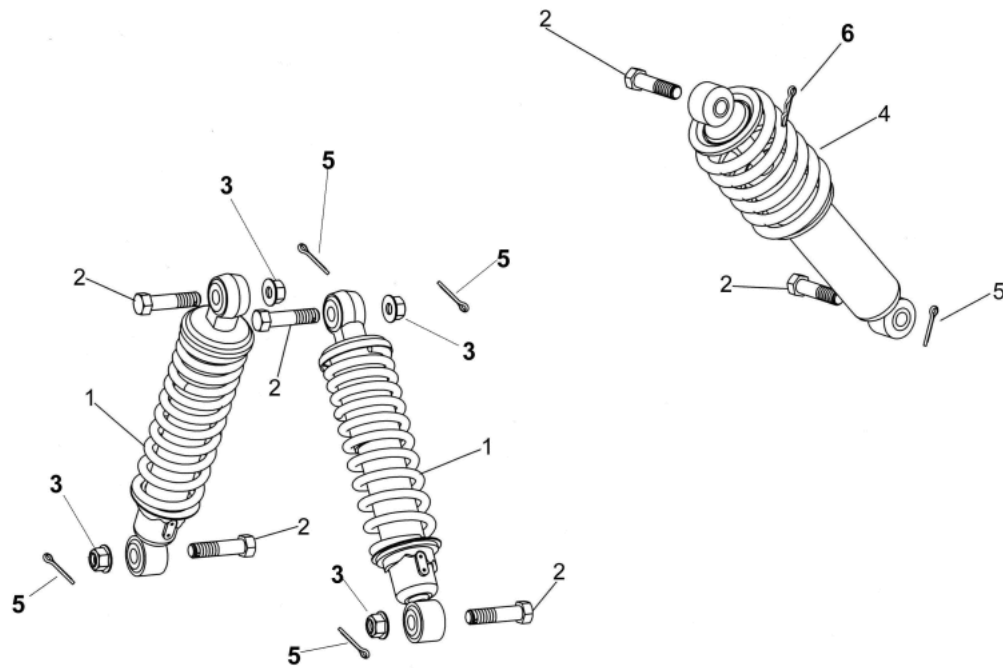


# 18. OIL TANK, FUEL TANK



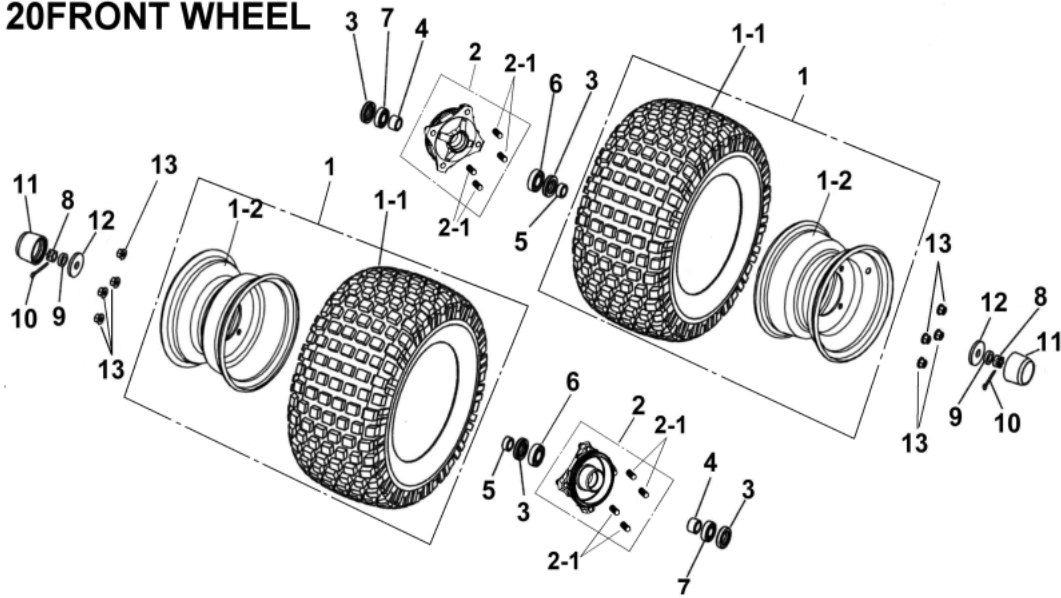
ITEM	AVAIL	PART NO.	NAME	QTY
18			FUEL TANK OIL TANK	
18-1		E5100-5EA0-0000	OIL TANK (PMX)	1
18-2		E5105-5EA0-0000	OIL TANK CAP	1
18-3		I0119-06821	BOLT, HEX.	3
18-4		E5101-5EA0-0000	PAD	1
18-5		A7500-5EE0-0000	FUEL TANK ASSY.	1
18-6		A7620-5EA0-0000	FUEL TANK CAP	1
18-7		A7510-5EA0-1000	FUEL FILTER ASSY.	1
18-7-1		A7519-FIA0-1000	FUEL FILTER	1
18-7-2		A7516-5EA0-0000	CLIP(A)	4
18-7-3		A7514-5EA0-0000	FUEL TUBE (A)	1
18-7-4		A7515-5EA0-0000	FUEL TUBE (B)	1
18-8		A7501-5EA0-0000	FUEL TUBE	1
18-8-1		A7516-5EA0-0000	CLIP(A)	1
18-8-2		A7517-5EA0-0000	CLIP(B)	1
18-9		A7502-5EA0-0000	SPARE TUBE	1
18-9-1		A7516-5EA0-0000	CLIP(A)	1
18-9-2		A7517-5EA0-0000	CLIP(B)	1
18-10		A7520-5EA0-0000	MANUAL FUEL CUP	1
18-11		I8506-05016	SCREW PAN	2
18-13		A7621-9FA0-0000	TUBE, RUBBER	1
18-14		E5109-5EA0-0000	OIL LEVEL WARNING STICKER	1
18-15		A7622-5EB0-0000	RUBBER PAD, FUEL TANK CAP	1
18-16		I2020-60000	NUT, HEX.	1
18-17		I0109-5EE0-0000	SCREW	1

# 19. SUSPENSION



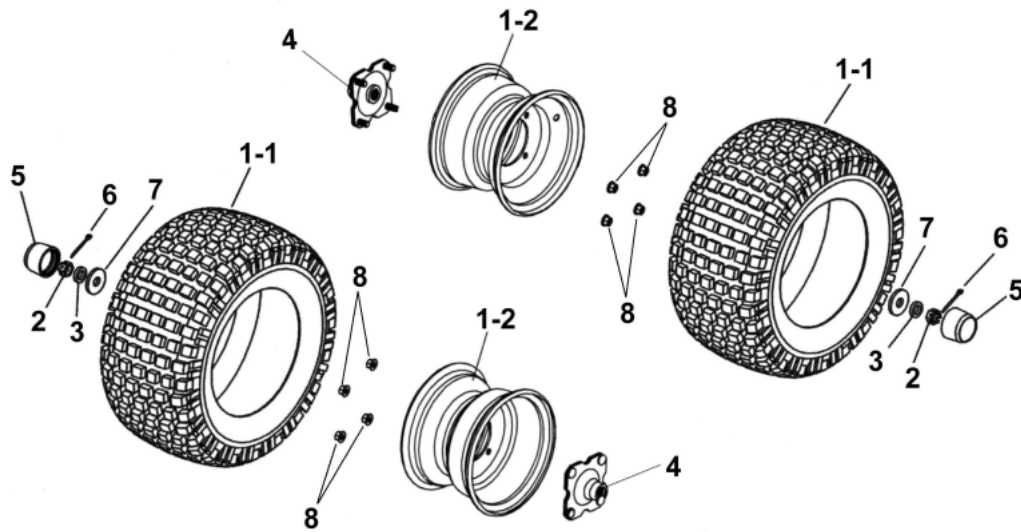
ITEM	AVAIL	PART NO.	NAME	QTY
19			SUSPENSION	
19-1		E1105-9EA0-0000	SUSPENSION, FRONT	2
19-2		I0102-10040	BOLT, HEX	6
19-3		I5701-10500	FLANGE NUT, HEX.	4
19-4		E2400-5EB0-0000	SUSPENSION, REAR	1
19-5		I9900-25019	PIN, SPLIT	5
19-6		I0468-12006	PIN	1

## 20FRONT WHEEL



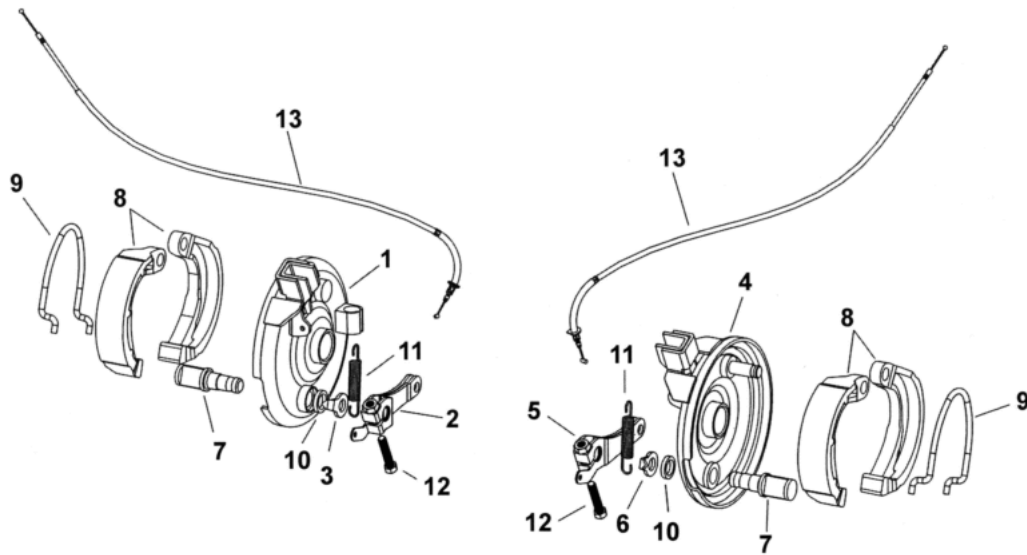
ITEM	AVAIL	PART NO.	NAME	QTY
20			FRONT WHEEL	
20-1		D471A-5EB1-0000	WHEEL ASSY.	2
20-1-1		D4710-5EA0-0000	WHEEL TIRE(16x8-7)	2
20-1-2		D4601-5EB1-1000	OUTER WHEEL RIM	2
20-2		D4610-9EA0-0000	BRAKE DRUM, FRONT	2
20-2-1		D4612-9EA0-0000	BOLT, STUD	8
20-3		I3102-5AC0-0000	OIL SEAL	4
20-4		D4620-5EA0-0000	COLLAR	2
20-5		D4621-5EA0-0000	OUTER SPACER	2
20-6		I6100-6002LLU	BEARING(6002LLU)	2
20-7		I6150-60030-10	BEARING, BALL, RADIAL	2
20-8		I5500-12000	CASTLE NUT	2
20-9		I3000-13000-0C	WASHER	2
20-10		I9900-30032	COTTER PIN(1/8"x11/4")	2
20-11		D4609-5EA0-0001	RUBBER CAP	2
20-12		D4608-5EA0-0000	FRONT WHEEL SHAFT WASHER	2
20-13		D4611-9EA0-0000	FLANGE NUT, HEX.	8

# 21. REAR WHEEL



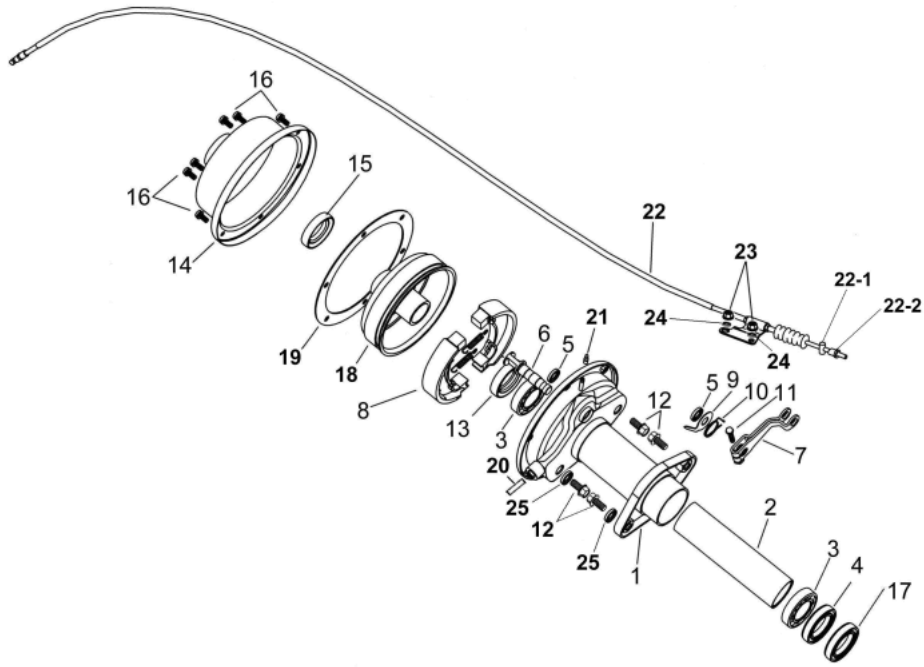
ITEM	AVAIL	PART NO.	NAME	QTY
21			REAR WHEEL	
21-1		D471A-5EB1-0000	WHEEL ASSY.	2
21-1-1		D4710-5EA0-0000	WHEEL TIRE(16x8-7)	2
21-1-2		D4601-5EB1-1000	OUTER WHEEL RIM	2
21-2		I5500-14000	CASTLE NUT(M14)	2
21-3		I9905-14100	WASHER(15x22x2.3t)	2
21-4		D2705-9EA0-1000	SHAFT CONNECTER WITH BOLTS	2
21-5		D4609-5EA0-0001	RUBBER CAP	2
21-6		I9900-30032	COTTER PIN(1/8" x 11/4")	2
21-7		D2309-5EA0-0000	WASHER	2
21-8		D4611-9EA0-0000	FLANGE NUT, HEX.	8

## 22. FRONT BRAKE



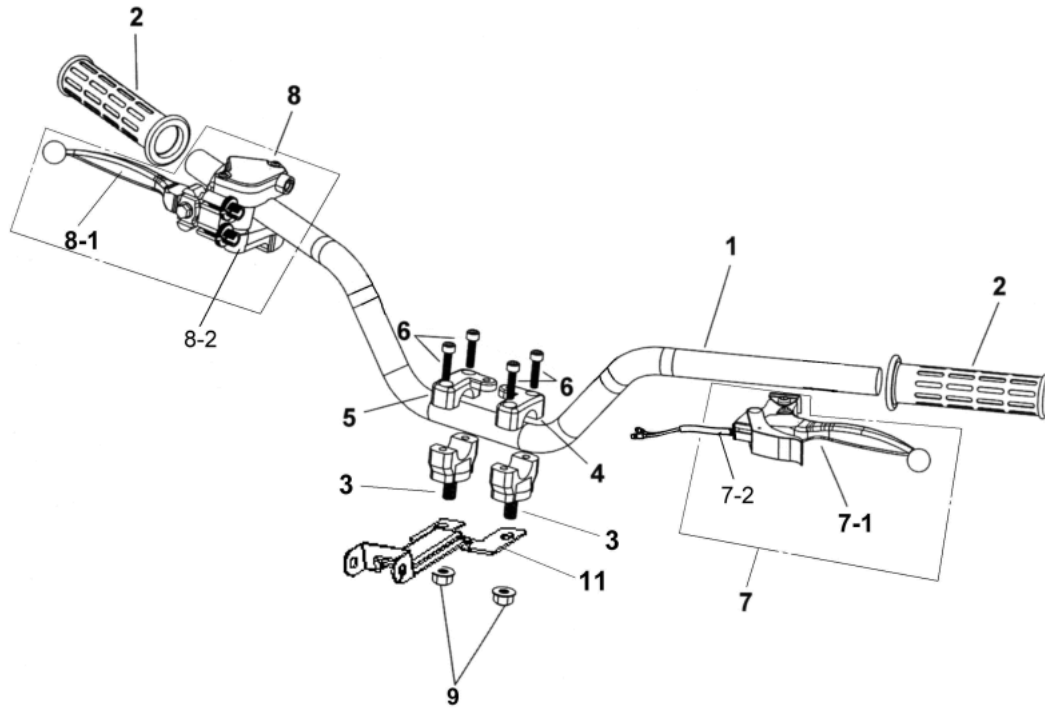
ITEM	AVAIL	PART NO.	NAME	QTY
22			FRONT BRAKE	
22-1		D5351-5EA0-0000	FRONT BRAKE DISC, LEFT	1
22-2		D5410-5EA0-0000	FRONT BRAKE ARM, LEFT	1
22-3		D5145-5EA0-0000	BRAKE INDICATOR	1
22-4		D5352-5EA0-0000	FRONT BRAKE DISC, RIGHT	1
22-5		D5411-5EA0-0000	FRONT BRAKE ARM, RIGHT	1
22-6		D5146-5EA0-0000	FRONT BRAKE INDICATOR,RIGHT	1
22-7		D5141-5EA0-0000	BRAKE ARM CAM	2
22-8		D5120-5EA0-0000	BRAKE SHOE COMP	2
22-9		D5125-5EA0-0000	SPRING	2
22-10		D5149-5EA0-0000	FELT SEAL	2
22-11		D5419-5EA0-0000	FRONT RETURN SPRING	2
22-12		I0020-05024	BOLT HEX.	2
22-13		E5450-5EE0-0000	CABLE, FRONT BRAKE ASSY	2

## 23. REAR BRAKE



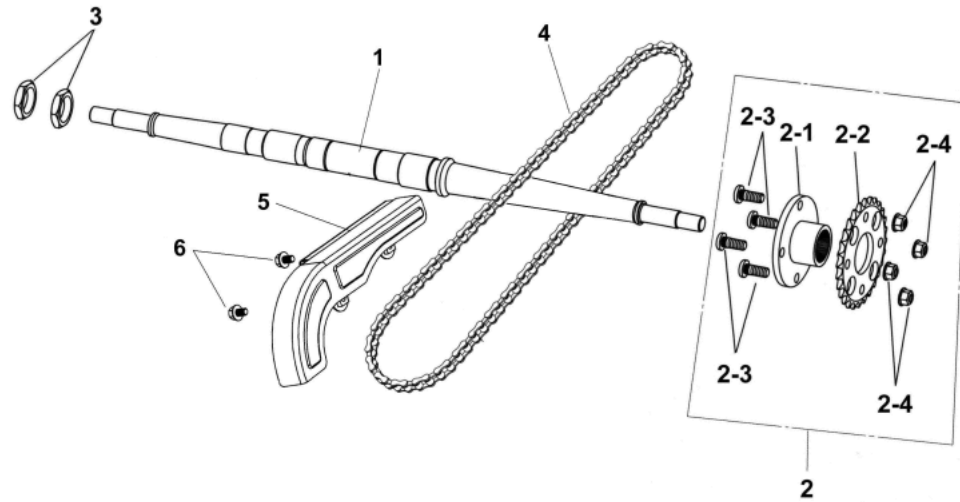
ITEM	AVAIL	PART NO.	NAME	QTY
23			REAR BRAKE	
23-1		D2310-5EA0-0000	BEARING SEAT ASSY., REAR WHEEL AXLE	1
23-2		D2311-5EA0-0000	SPACER	1
23-3		I6100-6006ZZ	BEARING, BALL RADIAL	2
23-4		D2313-9EA0-0000	OIL SEAL	1
23-5		D2314-5EA0-0000	OIL SEAL(14x20x4)	2
23-6		D3141-5EA0-0000	BRAKE ARM CAM, REAR	1
23-7		D3410-5EA0-0000	BRAKE ARM, REAR	1
23-8		D3120-5EA0-0000	REAR BRAKE SHOE COMP.(130)	1
23-9		D3145-5EA0-0000	REAR BRAKE INDICATOR	1
23-10		D3419-5EA0-0000	REAR RETURN SPRING	1
23-11		I0020-06030	BOLT	1
23-12		I0141-12025-01	FLANGE BOLT, HEX.	4
23-13		D2315-9EA0-0000	OIL SEAL(38x55x10)	1
23-14		D3615-9EA0-0000	DRUM COVER, REAR	1
23-15		D3616-9EA0-0000	OIL SEAL(38x52x9)	1
23-16		I8557-06012	SCREW WASHER	6
23-17		D0114-9EA0-0000	SPACER	1
23-18		D3610-9EA0-1000	REAR DRUM	1
23-19		D3611-5EA0-0000	GASKET, REAR DRUM COVER	1
23-20		D2316-5EA0-0000	DRAIN PIPE ASSY.	1
23-21		D2319-5EA0-0000	PLUG, PURGE HOLE	1
23-22		E3450-5EE0-0000	CABLE,BRAKE REAR ASSY	1
23-22-1		E3453-5EA0-0000	CIRCULAR CYLINDER	1
23-22-2		E3454-5EA0-0000	NUT,ADJUSTING	1
23-23		I5800-08300	NUT, HEX.	2
23-24		I9901-08100	WASHER, SPRING	2
23-25		I0201-12040	WASHER	2

# 24. HANDLE BAR



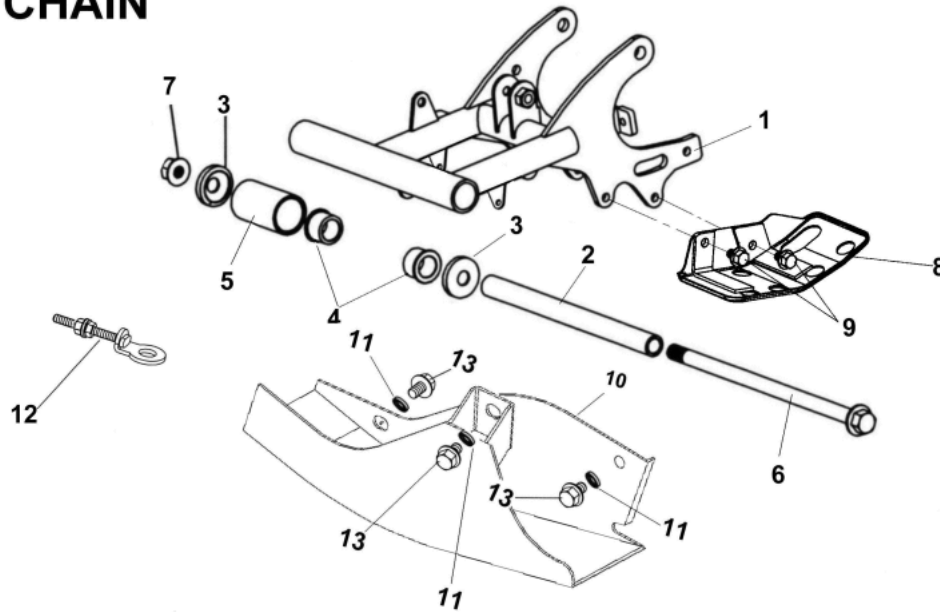
ITEM	AVAIL	PART NO.	NAME	QTY
24			HANDLE BAR	
24-1		E3100-5EB0-0000	HANDLE BAR ASSY.	1
24-2		E3166-5EA0-0000	GRIP	2
24-3		E3112-5EA0-0000	BOTTOM,HANDLE BAR CLAMP	2
24-4		E3110-5EA0-0000	CAP,HANDEL BAR CLAMP(L)	1
24-5		E3111-5EA0-0000	CAP,HANDEL BAR CLAMP(R)	1
24-6		I0050-06025	BOLT, SOCKET	4
24-7		E3170-5EB0-0010	LEVEL ASSY., LEFT	1
24-7-1		E3171-5EB0-0000	LEVEL,LEFT	1
24-7-2		E3174-5EA0-0000	BARKE SWITH ASSY.	1
24-8		E3180-9EA0-0010	LEVEL ASSY., RIGHT	1
24-8-1		E3181-9FA0-0000	LEVEL,RIGHT	1
24-8-2		E319A-5EA0-0000	LEVEL ACCELERATE	1
24-9		I5611-10200	HEX. FLANGE NUT, SAFETY	2

## 25. REAR WHEEL AXLE



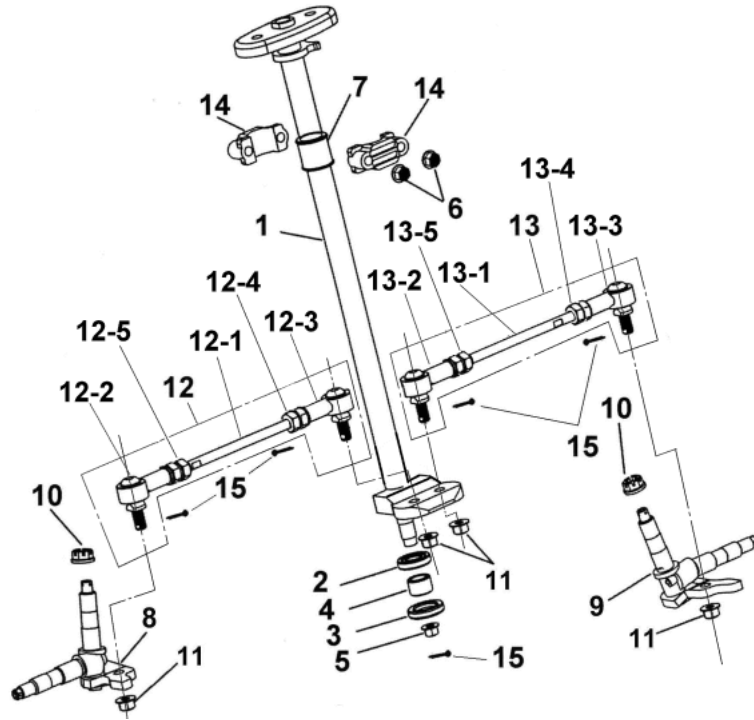
ITEM	AVAIL	PART NO.	NAME	QTY
25			REAR WHEEL AXLE	
25-1		D2301-9EA0-0000	REAR AXLE	1
25-2		D0110-5EB0-0000	DRIVE CHAIN ASSY(28T)	1
25-2-1		D0111-9EA0-0000	SPROCKET HOLDER, REAR	1
25-2-2		D1111-5EB0-0000	GEAR (420x28T)	1
25-2-3		D2706-9EA0-0000	BOLT	4
25-2-4		I5611-10200	HEX. FLANGE NUT, SAFETY	4
25-3		D2302-9EA0-0000	NUT, HEX.	2
25-4		D0100-5EB0-0000	DRIVE CHAIN(#420,84)	1
25-5		D0510-5EE9-0000	DRIVE CHAIN COVER	1
25-6		I0149-08016	FLANGE BOLT, HEX.	2

## 26. CHAIN



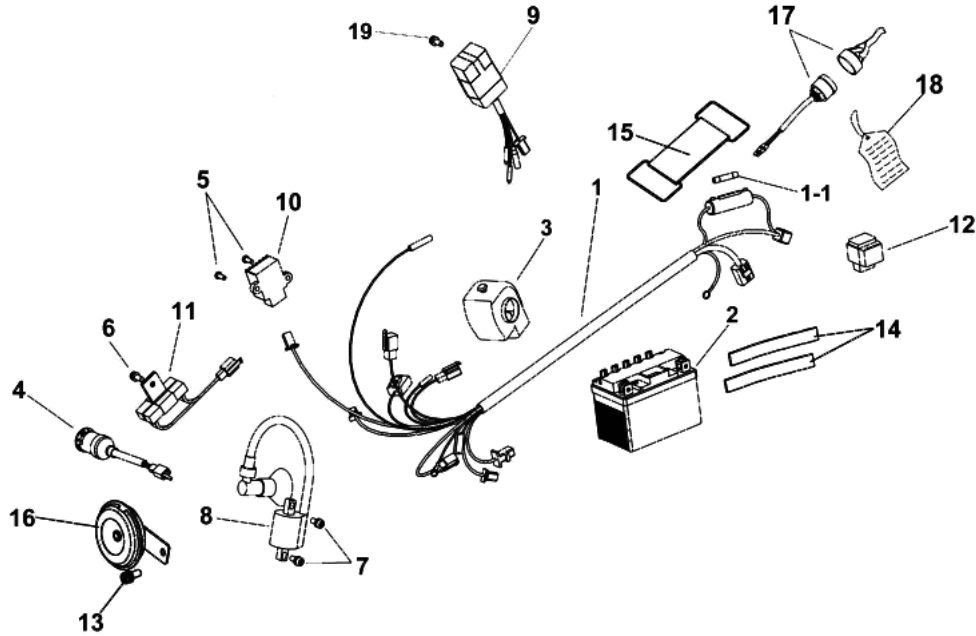
ITEM	AVAIL	PART NO.	NAME	QTY
26			SWING ARM SUBPROTECT COVER	
26-1		E220A-5EB0-0000	SWING ARM SUB ASSY	1
26-2		E2209-5EA0-0000	SWING ARM SPACER	1
26-3		E2205-5EA0-0000	OIL SEAL	2
26-4		E2208-5EA0-0000	SWING ARM OIL LINER	2
26-5		E2202-5EA0-0000	CHAIN TENSIONER ROLLER	1
26-6		E2201-5EA0-0000	FLANGE BOLT, HEX.	1
26-7		I5611-14200	HEX. FLANGE NUT, SAFETY	1
26-8		D3617-5EA0-0000	REAR BRAKE PROTECTIVE COVER	1
26-9		I0149-08012	FLANGE BOLT, HEX.	2
26-10		D0101-5EA0-0000	PROTECT COVER	1
26-11		I9901-08100	WASHER, SPRING	3
26-12	N	D0120-9EA0-0000	ADJUSTER, CHAIN	1
26-13		I0149-08016	FLANGE BOLT, HEX.	3

# 27. STEERING



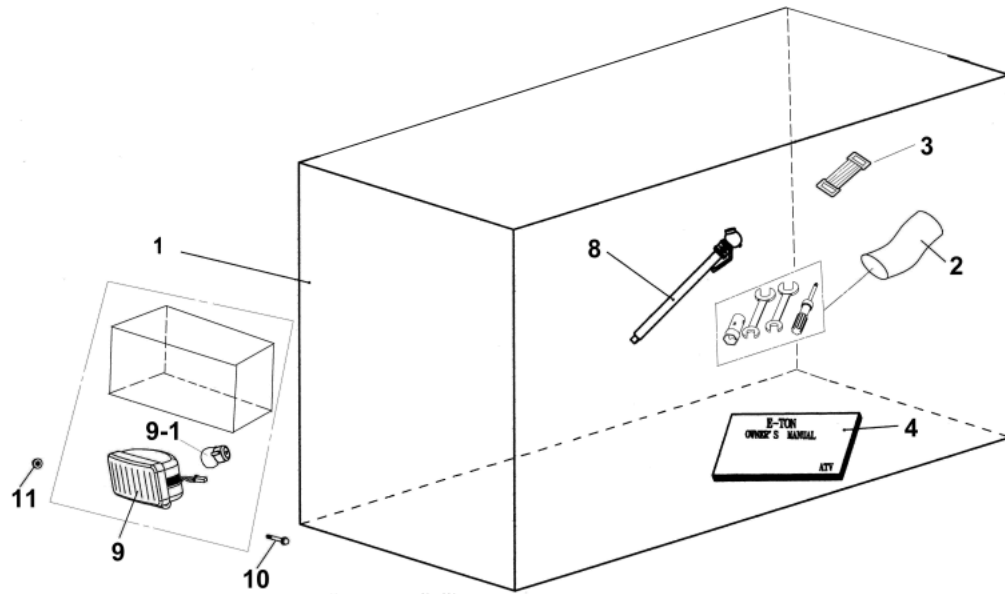
ITEM	AVAIL	PART NO.	NAME	QTY
27			STEERING	
27-1		E3200-5EA0-0000	SHAFT ASSY., STEERING	1
27-2		E3201-5EA0-0000	OIL SEAL	1
27-3		I3102-5AC0-0000	OIL SEAL	1
27-4		D4620-5EA0-0000	COLLAR	1
27-5		I5611-14200	HEX. FLANGE NUT, SAFETY	1
27-6		I5611-08200	HEX. FLANGE NUT, SAFETY	2
27-7		E3225-5EA0-0000	PU LINER	1
27-8		E0205-4HA0-0000	LEFT, KNUCKLE	1
27-9		E0215-4HA0-0000	RIGHT, KNUCKLE	1
27-10		I5550-20000	NUT	2
27-11		I5611-10200	HEX. FLANGE NUT, SAFETY	4
27-12		E0258-5EA0-0000	STEERING TIE-ROD ASSY., LEFT	1
27-12-1		E0251-5EA0-0000	BOLT,STUD	1
27-12-2		E0255-FIA0-0000	UNIVERSAL JOINT(L)	1
27-12-3		E0256-FIA0-0000	UNIVERSAL JOINT(R)	1
27-12-4		E0252-5EA0-0000	NUT (R)	1
27-12-5		E0253-5EA0-0000	NUT (L)	1
27-13		E0259-5EA0-0000	STEERING TIE-ROD ASSY., RIGHT	1
27-13-1		E0251-5EA0-0000	BOLT,STUD	1
27-13-2		E0255-FIA0-0000	UNIVERSAL JOINT(L)	1
27-13-3		E0256-FIA0-0000	UNIVERSAL JOINT(R)	1
27-13-4		E0252-5EA0-0000	NUT (R)	1
27-13-5		E0253-5EA0-0000	NUT (L)	1
27-14		E3202-9FA0-0000	HOLDER, STEERING COLUMN	2
27-15		I9900-25019	PIN, SPLIT	5

## 28.ELECTRICAL EQUIPMENT



ITEM	AVAIL	PART NO.	NAME	QTY
28			ELECTRICAL EQUIPMENT	
28-1		C2100-5EB5-0000	MAIN WIRE ASSY.	1
28-1-1		C2010-5EA0-0000	FUSE(7A)	1
28-2		C1500-9FA0-0000	BATTERY	1
28-3		C5200-9FA0-0000	LEVER HOLDER ASSY., LEFT	1
28-4	N	C5010-5EA0-0000	MAIN SWITCH ASSY.	1
28-5		I8506-05016	SCREW PAN	2
28-6		I8557-06012	SCREW WASHER	1
28-7		I8556-06020	SCREW, PAN HEAD	2
28-8		C0510-B00-0000	IGNITION COIL ASSY.	1
28-9		C0410-B02-9000	C.D.I. UNIT ASSY.	1
28-10		C1600-B00-0000	RECTIFIER COMP REGULATE	1
28-11		C5400-B00-0000	RESISTOR ASSY	1
28-12		C5850-B00-0000	STARTER RELY ASSY.	1
28-13		I8556-06012	SCREW PAN	1
28-14		C1501-9FA0-0000	FOAM STICK, BATTERY	2
28-15		C1502-9ED0-0000	FIX STRIP(175L)	1
28-16		C8110-5BA0-E000	HORN	1
28-17		C2105-5EA0-1000	SAFETY SWITCH ASSY.	1
28-18		C2109-5EA0-0000	SAFETY SWITCH WARNING TAG	1
28-19		I8556-06016	SCREW WASHER	1

## 29.PACKING CACE,EXTERNAL



ITEM	AVAIL	PART NO.	NAME	QTY
29			PACKING CASEEXTERNAL	
29-1		H9500-5EB0-0000	PACKING CASE,EXTERNAL	1
29-2		H9020-9FA0-0000	TOOL SET	1
29-3		H9021-9FA0-0000	WIRE CLAMP	1
29-4	N	H9900-5EB0-0000	OWNER'S MANUAL	1
29-7	N	H9902-5EA0-0000	ATV BUYER'S AGREEMENT	1
29-8		H9022-5EA0-0000	PRESSURE METER	1

No picture.

ITEM	AVAIL	PART NO.	NAME	QTY
35			CYLINDER+PISTON TOP END KIT	
35-1		A21AA-B02-0000	CYLINDER+PISTON TOP END KIT	1
35-1-1		A2100-B02-0000	CYLINDER	1
35-1-2		A2191-B02-0000	GASKET CYLINDER	1
35-1-3		A2251-B02-0000	GASKET CYLINDER HEAD	1
35-1-4		A3011-B02-0000	PISTON RING SET	1
35-1-5		A3101-B02-0000	PISTON	1
35-1-6		A3111-B02-0000	PIN PISTON	1
35-1-7		I4601-B02-0000	CLIP, PISTON PIN	2
35-1-8		I1100-1014125	BEARING, NEEDLE	1
35-1-9		A8291-5AA0-0000	GASKET (34x25.4x4)	1

No picture.

ITEM	AVAIL	PART NO.	NAME	QTY
36			MAINTENANCE KIT 1 (MJ # 85)	
36-1		A6100-B02-A001	MAINTENANCE KIT 1 (MJ #85)	1
36-1-1		KAC30310	V CLIP	1
36-1-2		KAB90220	JET NEEDLE ASSY. (#3CR1)	1
36-1-3		KAC30110	THROTTLE VALVE (#3.0)	1
36-1-4		A6105-B00-0000	AIR FLOW ADJUSTING SCREW	1
36-1-5		KAC30840	THROTTLE ADJUSTING SCREW	1
36-1-6		KAC30510	SLOW JET (*20)	1
36-1-7		KAB90610	NEEDLE JET (*426 E-1)	1
36-1-8		KAC30410	MAIN JET # 85	1
36-1-9		A6118-B00-0000	O-RING	1
36-1-10		KAC30910	CHAMBER O-RING	1
36-1-11		A0001-B00-0000	NEEDLE VALVE SEAT COMP	1
36-1-11-1		A6119-B00-0000	NEEDLE VALVE SEAT	1
36-1-11-2		KAC31120	NEEDLE VALVE ASSY.	1

No picture.

ITEM	AVAIL	PART NO.	NAME	QTY
37			MAINTENANCE KIT 2 (MJ # 85)	
37-1		A6100-B02-A002	MAINTENANCE KIT 2 (MJ #85)	1
37-1-1		KAC30310	V CLIP	1
37-1-2		KAB90220	JET NEEDLE ASSY. (#3CR1)	1
37-1-3		KAC30110	THROTTLE VALVE (#3.0)	1
37-1-4		A6105-B00-0000	AIR FLOW ADJUSTING SCREW	1
37-1-5		KAC30840	THROTTLE ADJUSTING SCREW	1
37-1-6		KAC30510	SLOW JET (*20)	1
37-1-7		KAB90610	NEEDLE JET (*426 E-1)	1
37-1-8		KAC30410	MAIN JET # 85	1
37-1-9		A6118-B00-0000	O-RING	1
37-1-10		KAC30910	CHAMBER O-RING	1
37-1-11		KAC31210	FLOAT ASSY	1
37-1-12		KAC31410	DRAIN SCREW	1
37-1-13		A0001-B00-0000	NEEDLE VALVE SEAT COMP	1
37-1-13-1		A6119-B00-0000	NEEDLE VALVE SEAT	1
37-1-13-2		KAC31120	NEEDLE VALVE ASSY.	1