

# PARTS CATALOGUE

## ROVER GT UK1 GT-90

---



# CONTENTS

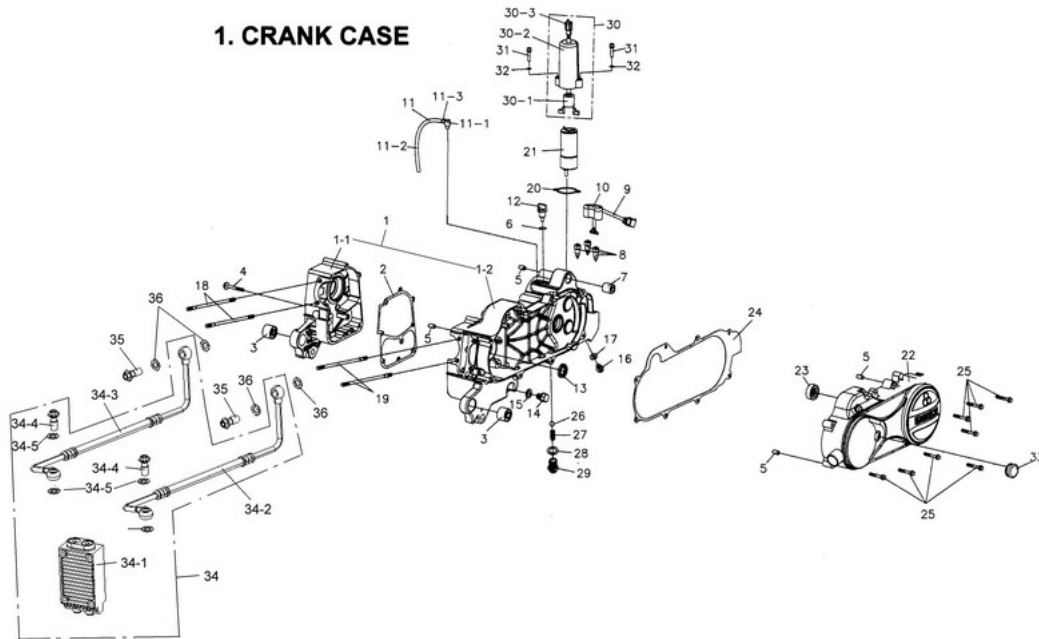
## PARTS ITEM:

- 01 CRANK CASE
- 02 CYLINDER HEADHEAD COVER
- 03 CYLINDERPISTONCRANKSHAFT
- 04 COVER R CRANK CASE
- 05 CARBURETOR
- 06 DRIVEN PULLEY (CVT)
- 07 START MOTOR OIL PUMP
- 08 FAN COVER GENERATOR
- 09 TRANSMISSION
- 10 AIR CLEANER
- 11 PREARRANGE
- 12 ENGINE
- 13 MUFFLER
- 14 FRAME
- 15 A- ARM
- 16 FENDER
- 17 SEAT
- 18 FUEL TANK
- 19 SUSPENSION
- 20 FRONT WHEEL
- 21 REAR WHEEL
- 22 FRONT BRAKE
- 23 REAR BRAKE
- 24 BRAKE /THROTTLE PAD
- 25 REAR WHEEL AXLE
- 26 SWING ARM
- 27 STEERING

- 28 ELECTRICAL EQUIPMENT
- 29 PACKING CASEEXTERNAL
- 30 ACCESSORIES

**N & sign meaning: not available to sale**

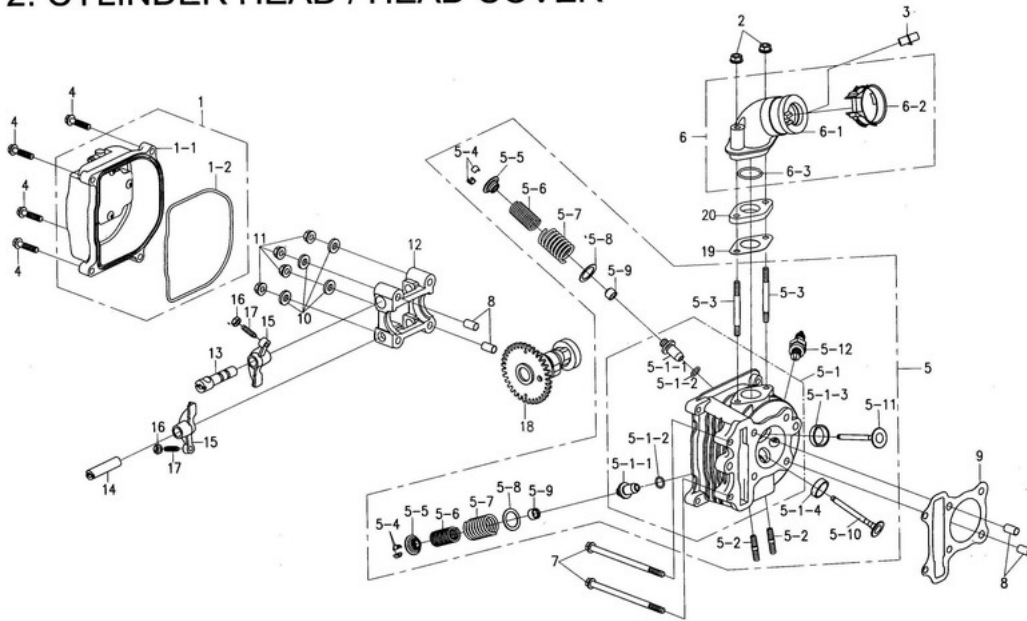
# 1. CRANK CASE



ITEM	AVAIL	PART NO.	NAME	QTY
01			CRANK CASE	
01-1		A1000-A26-8000	CRANK CASE ASSY	1
01-1-1	N	A1100-A26-8900	CRANK CASE COMP RIGHT	1
01-1-2	N	A1200-A26-9900	CRANK CASE COMP, LEFT	1
01-2		A1192-A26-6000	GASKET, CRANK CASE	1
01-3		A1103-A04-0000	RUBBER BUSH ENGINE HANGER	2
01-4		I6001-06045-0H	FLANGE BOLT, HEX.	1
01-5		I4301-08140	KNOCK PIN	4
01-6		I4608-13825	O-RING	1
01-7		A1203-A26-0000	REAR SHOCK ABSORBER BUSHING	1
01-8		C5750-B07-0000	SENSOR, SHIFT	3
01-9		C5760-A26-8000	SWITCH LINE, SHIFT	1
01-10		B1322-B07-0000	DUST COVER B	1
01-11		A1220-A26-9000	BREATHER HOSE COMP	1
01-11-1		A1206-B00-0000	BREATHER JOINT	1
01-11-1	N	A1206-B00-0000	BREATHER JOINT	1
01-11-2		A1221-A26-9000	HOSE BREATHER	1
01-11-2	N	A1221-A26-9000	HOSE BREATHER	1
01-11-3		I5002-06008	TUBE CLIP	1
01-11-3		I5002-06008	TUBE CLIP	1
01-12		A5651-B00-0000	PLUG, OIL	1
01-13		I1202-A26-9000	OIL SEAL (L)	1
01-14		I2800-12015-0C	BOLT, HEX.	1
01-15		I4104-12120	WASHER	1
01-16		I5801-08012-0H	FLANGE BOLT, HEX.	1
01-17		I4102-08020	WASHER	1
01-18		I0031-07181-0H	STUD BOLT (A), CYLINDER	2
01-19		I0032-07189-0H	STUD BOLT (B), CYLINDER	2
01-20		B4691-A26-9000	GASKET MOTOR CAP	1
01-21		C2300-A26-9000	MOTOR COMP SHIFT	1
01-22		A1341-A26-0100	COVER L SIDE	1
01-23		I6130-60380-10	BEARING, BALL, RADIAL	1
01-24		A1395-A26-6000	GASKET, L COVER	1
01-25		I6001-06035-0H	FLANGE BOLT, HEX.	8
01-26		B4307-V30-0000	BALL BEARING	1
01-27		B4306-V30-0000	SPRING FIXING	1
01-28		I4104-14210	WASHER	1
01-29		B4305-V30-0000	SCREW FIXING	1

01-30		C231A-A26-8000	LINE ASSY, SHIFT MOTOR	1
01-30-1		A6116-A26-9000	RUBBER PLUG	1
01-30-2		B4460-A26-9900	CAP MOTOR	1
01-30-3	N	C2310-A26-8000	LINE COMP, SHIFT MOTOR	1
01-31		I3500-05028-0H	SCREW PAN	2
01-32		I4104-52010	WASHER	2
01-33		A1348-A26-0000	PLUG	1
01-34		I902A-A26-7000	OIL COOLER ASSY	1
01-34-1		I9020-V30-0900	COOLER COMP OIL	1
01-34-2		A9121-A26-7000	OIL TUBE COMP, INLET	1
01-34-3		A9122-A26-7000	OIL TUBE COMP, OUTLET	1
01-34-4		I0002-V30-0000	BOLT OIL PASS	2
01-34-5		I4104-12514	WASHER	4
01-35		I0002-V30-0000	BOLT OIL PASS	1
01-36		I4104-12514	WASHER	4

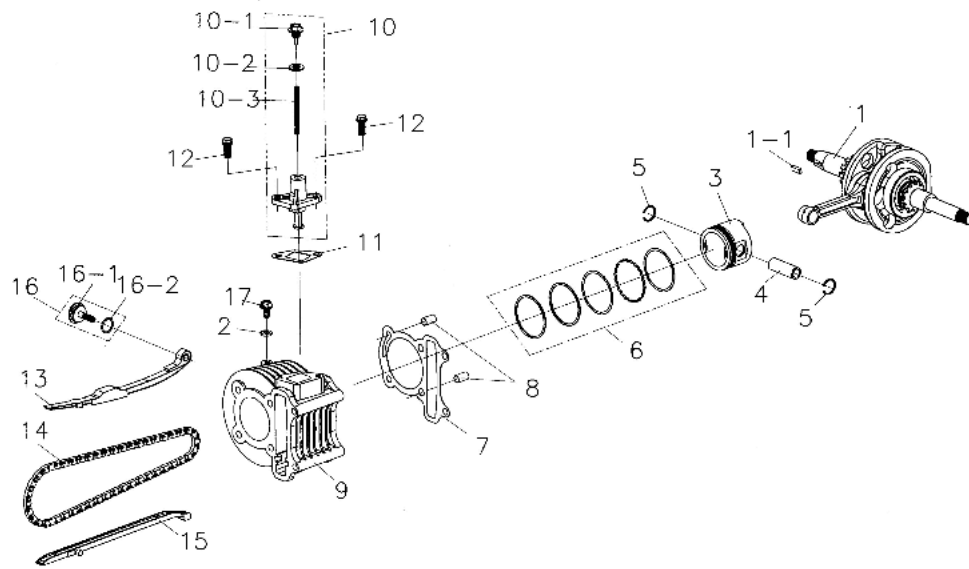
## 2. CYLINDER HEAD / HEAD COVER



ITEM	AVAIL	PART NO.	NAME	QTY
02			CYLINDER HEADHEAD COVER	
02-1		A230A-A26-6000	COVER ASSY HEAD CYLINDER	1
02-1-1		A2301-A26-0000	COVER HEAD CYLINDER	1
02-1-1	N	A2301-A26-0000	COVER HEAD CYLINDER	1
02-1-2		A2305-A11-0000	JOINT COMP BREATHER	1
02-1-2		A2391-A11-0000	GASKET COVER HEAD CYLINDER	1
02-1-3		A2302-A11-0000	PLATE BREATHER SEPARATOR	1
02-1-4		I3903-380H0	TRUSS	4
02-1-5		A2391-A11-0000	GASKET COVER HEAD CYLINDER	1
02-1-6		A2303-A26-6000	GASKET, BREATHER PLATE	1
02-2		I4050-06060-0H	FLANGE NUT, HEX.	2
02-3		A6101-B02-0000	CRAB RUBBER CAP	1
02-4		I6001-06025-0C	FLANGE BOLT, HEX.	4
02-5		A220A-A26-0000	HEAD ASSY CYLINDER	1
02-5-1		A2200-A26-0000	HEAD COMP CYLINDER	1
02-5-1-1		A2237-A11-0000	GUIDE VALVE	2
02-5-1-1	N	A2237-A11-0000	GUIDE VALVE	2
02-5-1-2		I4608-09016	O-RING	2
02-5-1-2		I4608-09016	O-RING	2
02-5-1-3		A2202-A26-0000	SEAT, IN VALVE	1
02-5-1-3	N	A2202-A26-0000	SEAT, IN VALVE	1
02-5-1-4		A2203-A26-0000	SEAT, EX VALVE	1
02-5-1-4	N	A2203-A26-0000	SEAT, EX VALVE	1
02-5-2		I2900-06016-0A	BOLT, STUD	2
02-5-3		I2900-06050-0A	BOLT, STUD	2
02-5-4		A4781-A04-0000	COTTER, VALVE	4
02-5-5		A4771-A04-0000	RETAINER, VALVE SPRING	2
02-5-6		A4761-A11-0000	SPRING VALVE INNER	2
02-5-7		A4751-A11-0000	SPG VALVE OUTER	2
02-5-8		I4104-16508	WASHER	2
02-5-9		A2209-A04-0000	SEAL VALVE STEM	2
02-5-10		A4721-A26-0000	VALVE EXHAUST	1
02-5-11		A4711-A26-0000	VALVE INLET	1
02-5-12		I8000-V30-0000	SPARK PLUG	1
02-6		A711A-A12-0000	PIPE ASSY INLET	1
02-6-1		A7110-A12-0000	PIPE COMP, INLET	1
02-6-2		A7256-A11-0000	BAND A CONNECTING TUBE	1

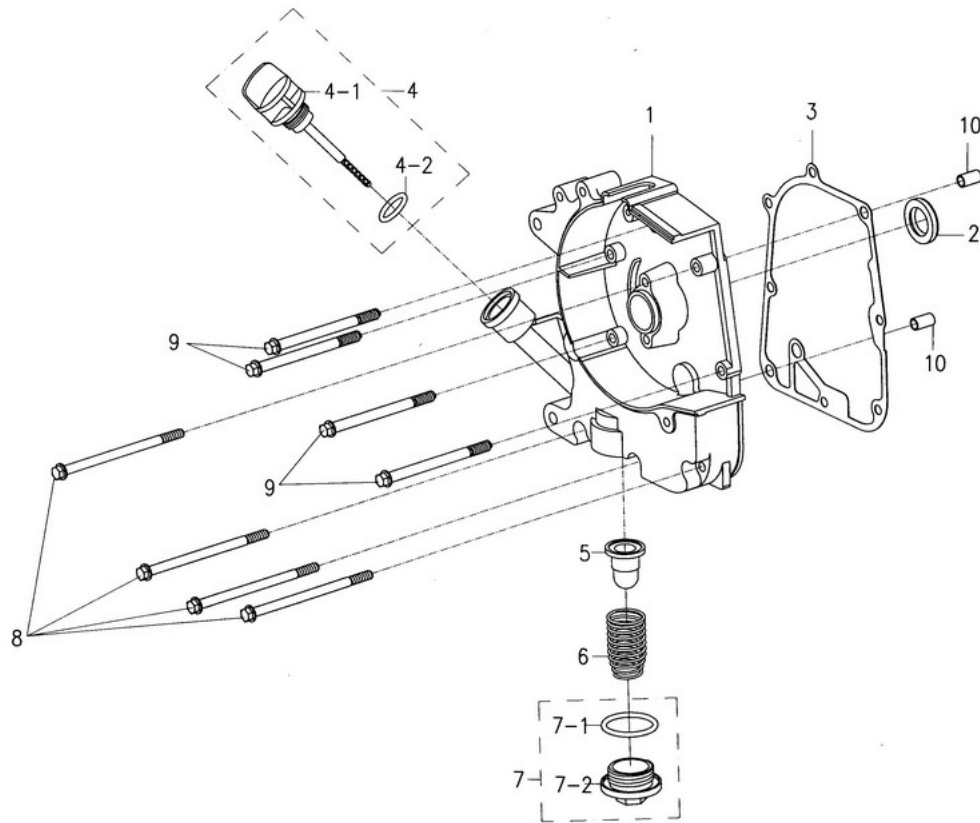
02-6-3		I4608-22020	O-RING	1
02-7		I6001-06100-0H	FLANGE BOLT, HEX.	2
02-8		I4301-08140A	KNOCK PIN	4
02-9		A2251-A26-0000	GASKET HEAD CYLINDER	1
02-10		I4104-07225	WASHER	4
02-11		I4050-07060-0H	FLANGE NUT, HEX.	4
02-12		A2211-A11-0000	HOLDER CAM SHAFT	1
02-13		A4451-A11-0000	SHAFT IN ROCKER ARM	1
02-14		A4452-A11-0000	SHAFT EX ROCKER ARM	1
02-15		A4431-A11-0000	ARM VALVE ROCKER	2
02-16		I4001-050K0	NUT HEX	2
02-17		I0012-A04-0000	SCREW ADJUSTING	2
02-18		A4100-A26-9000	CAM SHAFT COMP	1
02-19		A6201-A26-6000	GASKET, CARB INSULATOR	1
02-20		A6211-A12-0000	INSULATOR CARB	1

### 3. CYLINDER / PISTON / CRANKSHAFT



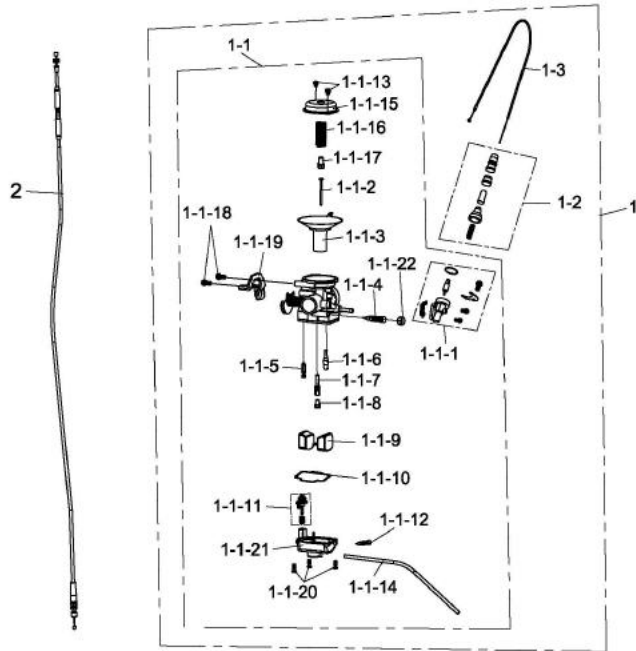
ITEM	AVAIL	PART NO.	NAME	QTY
03			CYLINDERPISTONCRANKSHAFT	
03-1		A3000-A26-9000	CRANK SHAFT COMP	1
03-1-1		A3321-A26-9000	CRANK SHAFT L	1
03-1-1		I4401-25046	WOODRUFF KEY	1
03-1-2		A3311-A26-0000	CRANK SHAFT R	1
03-1-3		A3201-A26-0000	ROD CONNECTING	1
03-1-4		A3381-A12-0000	PIN CRANK	1
03-1-5		I1110-251301138	BEARING, NEEDLE	1
03-1-6		A3371-A26-0000	PLATE R CRANK SIDE	1
03-1-7		I6100-63040	BEARING, BALL, RADIAL	2
03-1-8		A5131-A12-0000	GEAR PUMP DRIVE	1
03-1-9		A4311-A12-0000	SPROCKET TIMING	1
03-1-10		I4401-25046	WOODRUFF KEY	1
03-2		I4104-06512	WASHER	1
03-3		A3101-A26-0000	PISTON	1
03-4		A3111-A26-0000	PIN PISTON	1
03-5		I4601-13000	CLIP PISTON PIN	2
03-6		A3011-A26-0000	PISTON RING SET	1
03-7		A2191-A26-6000	GASKET, CYLINDER	1
03-8		I4301-08140A	KNOCK PIN	2
03-9		A2100-A26-0000	CYLINDER COMP	1
03-10		A4550-A09-0000	COMP, LIFTER TENSIONER	1
03-10-1	N	A4560-A09-0000	PLUG COMP ADJUSTER	1
03-10-2	N	I4104-08416	WASHER	1
03-10-3	N	A4553-A09-0000	SPRING, CAM CHAIN ADJUSTER	1
03-11		A4555-A26-6000	GASKET, LIFTER TENSIONER	1
03-12		I6001-06016-0H	FLANGE BOLT, HEX.	2
03-13		A4510-A12-0000	GUIDE TENSION CAM CHAIN	1
03-14		A4401-A09-0000	CHAIN CAM	1
03-15		A4610-A12-0000	GUIDE CAM CHAIN	1
03-16		A4530-A04-0000	PIVOT CAM CHAIN SET	1
03-16-1		A4531-A04-0000	PIVOT CAM CHAIN TENSION	1
03-16-1	N	A4531-A04-0000	PIVOT CAM CHAIN TENSION	1
03-16-2		I4608-15215	O-RING	1
03-16-2	N	I1301-15515	O-RING	1
03-17		I5801-06012-0C	FLANGE BOLT, HEX.	1

## 4. COVER R CRANK CASE



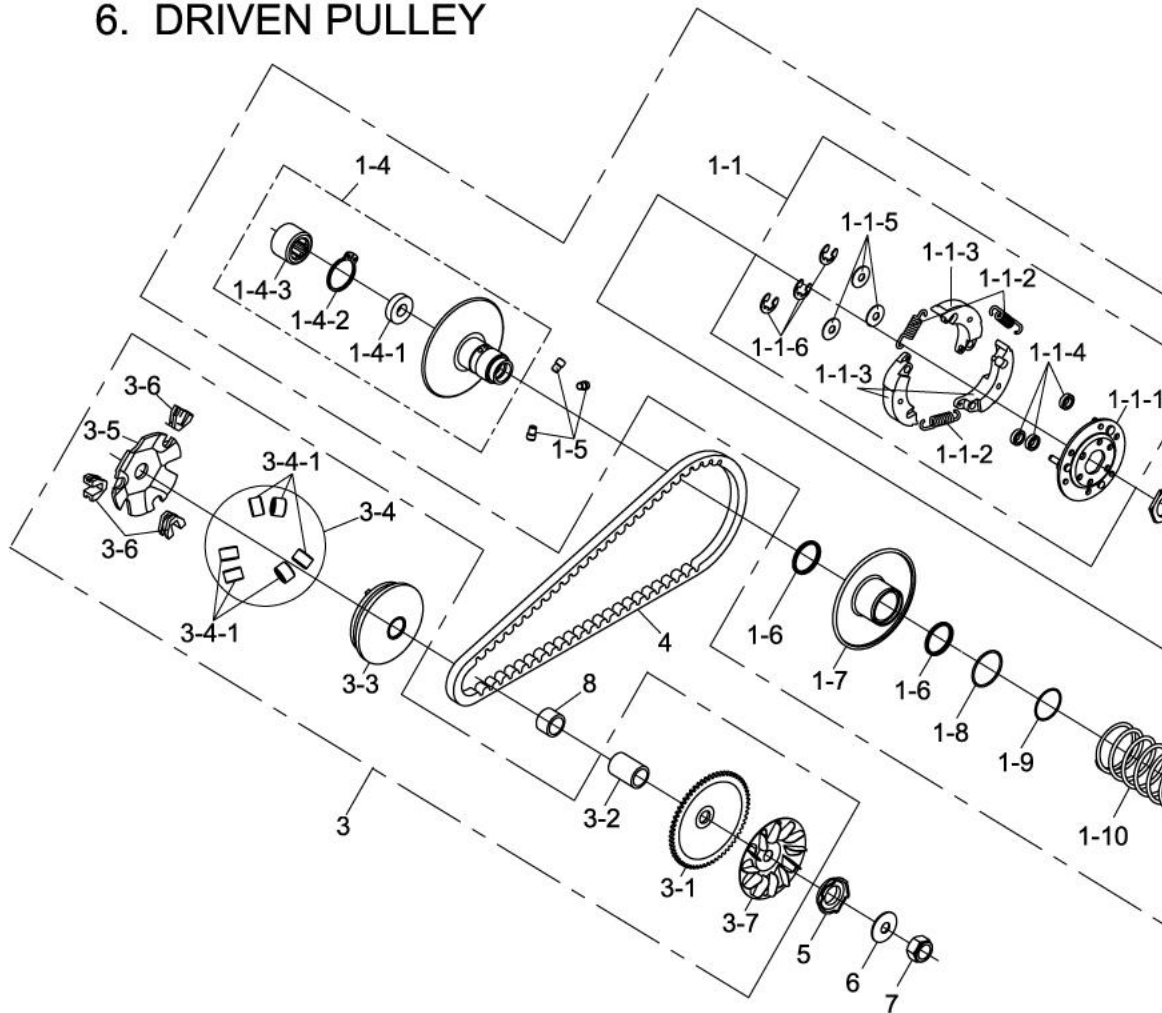
ITEM	AVAIL	PART NO.	NAME	QTY
04			COVER R CRANK CASE	
04-1		A1331-A26-0900	COVER R SIDE	1
04-2		I1201-A26-9000	OIL SEAL (R)	1
04-3		A1394-A26-6000	GASKET, R COVER	1
04-4		A5650-A04-0000	GAUGE COMP OIL LEVEL	1
04-4-1		A5651-A04-0000	GAUGE OIL LEVEL	1
04-4-1	N	A5651-A04-0000	GAUGE OIL LEVEL	1
04-4-2		I4608-18030	O-RING	1
04-4-2		I4608-18030	O-RING	1
04-5		A5421-A00-0000	SCREEN, OIL FILTER	1
04-6		A5426-A04-0000	SPG OIL FILTER SCREEN	1
04-7		A2360-A04-0001	HOLE CAP TAPPET COMP	1
04-7-1		I4608-30832	O-RING	1
04-7-1		I4608-30832	O-RING	1
04-7-2		A2361-A04-0000	HOLE CAP TAP ADJUSTING	1
04-7-2		A2361-A04-0000	HOLE CAP TAP ADJUSTING	1
04-8		I6001-06100-0H	FLANGE BOLT, HEX.	4
04-9		I6001-06085-0H	FLANGE BOLT, HEX.	4
04-10		I4301-08140	KNOCK PIN	2

## 5. CARBURETOR



ITEM	AVAIL	PART NO.	NAME	QTY
05			CARBURETOR	
05-1		A610A-A26-8000	CARBURETOR ASSY.	1
05-1-1		A6100-A25-0000	CARBURETOR COMP	1
05-1-1-1		A0004-A26-9000	MANUAL CHOKE COMP 2	1
05-1-1-2		A6109-A25-0000	JET NEEDLE ASSY #4T14	1
05-1-1-3		KAC73440	VACUUM PISTON COMP	1
05-1-1-4		KAC70G04	AIR ADJUSTING SCREW ASSY.	1
05-1-1-5		KAC72130	NEEDLE VALVE ASSY.	1
05-1-1-6		KAC73010	SLOW JET # 32	1
05-1-1-7		A6170-A26-6000	NOZZLE, MAIN SET	1
05-1-1-7-1		KAC73110	PIPE, BLEED	1
05-1-1-7-2		KAC72910	NOZZLE, MAIN	1
05-1-1-8		KAC83108	MAIN JET # 95	1
05-1-1-9		KAC72310	FLOAT ASSY.	1
05-1-1-10		KAC75710	CHAMBER O-RING	1
05-1-1-11		A0002-A26-9000	ACCELERATION PUMP COMP	1
05-1-1-12		KAC71520	DRAIN SCREW ASSY	1
05-1-1-13		AC001	SCREW PANHEAD	2
05-1-1-14		A6111-A26-6000	TUBE	1
05-1-1-15		KAC73820	CARB TOP COVER	1
05-1-1-16		KAC73710	SPRING	1
05-1-1-17		KAC73610	SPRING PLACE	1
05-1-1-18		I3500-05010-0H	SCREW PAN	2
05-1-1-19		KAC71610	BRACKET WIRE ASSY	1
05-1-1-20		AC033	SCREW	3
05-1-1-21		KAC70210	CARB CHAMBER	1
05-1-1-22		A6106-A26-6000	PLUG	1
05-1-2		A0001-A26-9000	MANUAL CHOKE COMP 1	1
05-1-3		A7920-A26-7000	CABLE, AIR CUT	1
05-2		A7910-9UB0-0000	CABLE THROTTLE	1

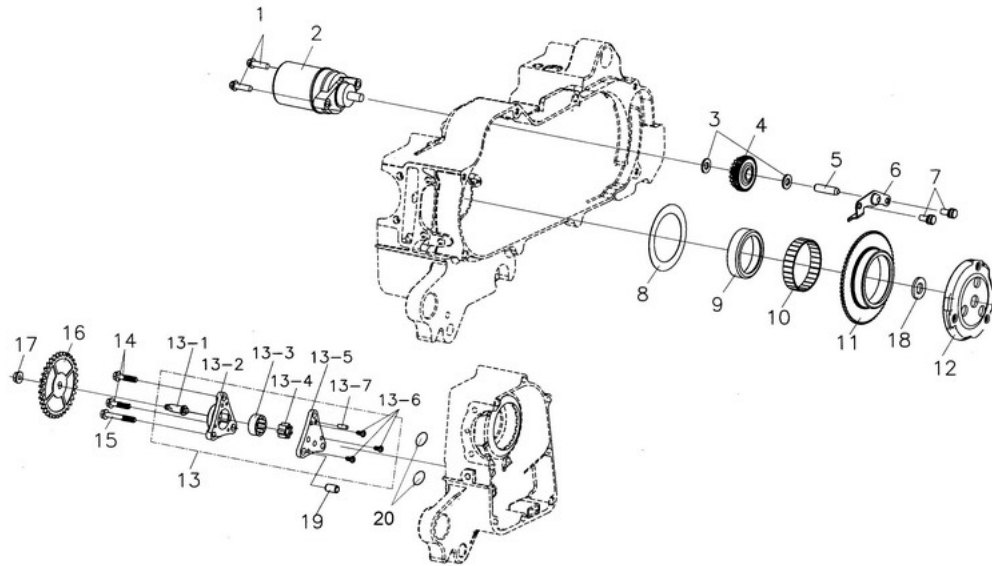
## 6. DRIVEN PULLEY



ITEM	AVAIL	PART NO.	NAME	QTY
06			DRIVEN PULLEY (CVT)	
06-1		B301A-A11-0000	PULLEY ASSY, DRIVEN	1
06-1-1		B2300-A11-0000	PLATE COMP DRIVE	1
06-1-1		B2300-A11-0000	PLATE COMP DRIVE	1
06-1-1-1		B2401-A11-0000	SPRING CLUTCH	3
06-1-1-1		B2401-A11-0000	SPRING CLUTCH	3
06-1-1-1	N	B2350-A11-0000	PLATE COMP DRIVE	1
06-1-1-2	N	B2401-A11-0000	SPRING CLUTCH	3
06-1-1-3	N	B2530-A11-0000	WEIGHT SET CLUTCH	3
06-1-1-4	N	B2804-A11-0000	ROLLER CLUTCH	3
06-1-1-5	N	I4540-0501D	CIRCLIP	3
06-1-1-6	N	I0442-A11-0000	WASHER CLUTCH	3
06-1-2		I4002-280A0	NUT HEX	1
06-1-2		I4002-280A0	NUT HEX	1
06-1-3		B2101-A11-0000	OUTER CLUTCH	1
06-1-3		B2101-A11-0000	OUTER CLUTCH	1
06-1-4		B3210-A11-0000	FACE COMP, DRIVEN	1
06-1-4		B3210-A11-0000	FACE COMP, DRIVEN	1
06-1-4-1	N	I6140-69013-10	BEARING BALL RADIAL	1
06-1-4-2	N	I4520-24000	CIRCLIP IN	1
06-1-4-3	N	I1120-172518	BEARING, NEEDLE	1
06-1-4-4	N	B3211-A11-0000	FACE COMP, DRIVEN	1
06-1-5		B3225-A11-0000	PIN GUIDE	3
06-1-5		B3225-A11-0000	PIN GUIDE	3
06-1-6		I1211-A11-0000	OIL SEAL	2
06-1-6		I1211-A11-0000	OIL SEAL	2
06-1-7		B3220-A11-0000	FACE COMP MOVABLE DRIVE	1
06-1-7		B3220-A11-0000	FACE COMP MOVABLE DRIVE	1
06-1-8		I4608-39822	O-RING	1
06-1-8		I4608-39822	O-RING	1
06-1-9		I4608-36015	O-RING	1
06-1-9		I4608-36015	O-RING	1
06-1-10		B3233-A11-0000	SPG DRIVEN FACE	1
06-1-10		B3233-A11-0000	SPG DRIVEN FACE	1
06-1-11		B3238-A11-0000	COLLAR SPRING	1
06-1-11		B3238-A11-0000	COLLAR SPRING	1
06-2		I4050-10090-0H	FLANGE NUT, HEX.	1
06-3		B210A-A26-9000	FACE ASSY. MOVABLE DRIVE	1
06-3-1		B2103-A11-0000	FACE DRIVER	1

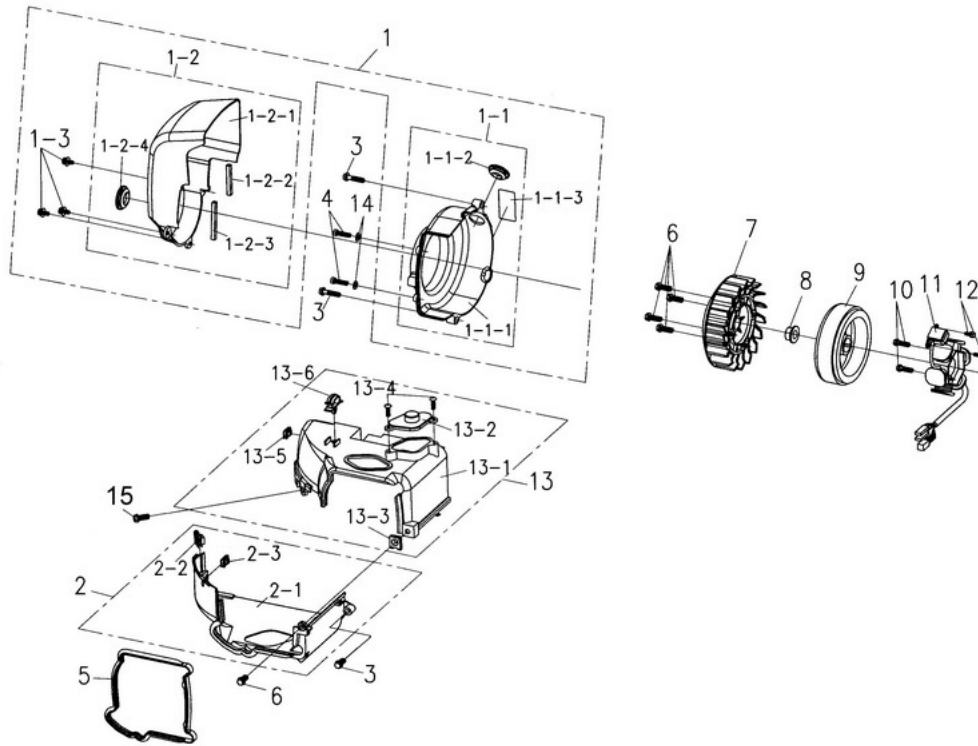
06-3-2		B2105-A26-9000	BOSS DRIVE FACE	1
06-3-3		B2110-A26-9000	FACE COMP, MOVABLE DRIVE	1
06-3-4		A0005-A26-9000	ROLLER COMP WEIGHT	1
06-3-4-1		B2121-A26-9000	ROLLER WEIGHT	6
06-3-5		B2131-A26-9000	PLATE, RAMP	1
06-3-6		B2132-A26-9000	PIECE SLIDE	3
06-3-7		B2102-A11-0000	FACE DRIVE	1
06-4		B3100-A11-0000	BELT DRIVE	1
06-5		B8211-A26-9000	RATCHET KICK STARTER	1
06-6		I4104-14515	WASHER	1
06-7		I4050-12110-0H	FLANGE NUT, HEX.	1
06-8		B2107-A26-8000	COLLAR, RESTRICT	1

## 7.START MOTOR / OIL PUMP



ITEM	AVAIL	PART NO.	NAME	QTY
07			START MOTOR OIL PUMP	
07-1		I6001-06040-0H	FLANGE BOLT, HEX.	2
07-2		C1200-A26-9000	MOTOR START COMP	1
07-3		I4104-08218	WASHER	2
07-4		B8100-B00-0000	GEAR COMP STARTER REDUCTION	1
07-4-1		B8101-B00-0000	GEAR STARTER REDUCTION	1
07-4-2		I1130-081210	BEARING, NEEDLE	1
07-5		B8102-B00-0000	SHAFT START REDUCTION	1
07-6		B8105-B00-0000	PLATE START REDUCTION	1
07-7		I3892-06014-0H	SCREW, PAN	2
07-8		I4104-55506	WASHER	1
07-9		B8115-B00-0000	BOSS GEAR	1
07-10		I1100-555913	BRARING, NEEDLE	1
07-11		B8110-B00-0000	GEAR COMP STARTING CLUTCH	1
07-12		B812A-A26-9000	ONE WAY CLUTCH ASSY	1
07-13		A5100-A12-0000	OIL PUMP COMP	1
07-13-1		I4303-04118	KNOCK PIN	1
07-13-1	N	A5132-A11-0000	SHAFT OIL PUMP	1
07-13-2	N	A5101-A12-0000	BODY, OIL PUMP	1
07-13-3	N	A5332-A09-0000	ROTOR OIL PUMP OUTER	1
07-13-4	N	A5331-A09-0000	ROTOR OIL PUMP INNER	1
07-13-5	N	A5116-A11-0000	PLATE, OIL PUMP	1
07-13-6	N	I3500-04010-0H	SCREW PAN	3
07-13-7	N	I4303-04118	KNOCK PIN	1
07-14		I6001-06020-0H	FLANGE BOLT, HEX.	2
07-15		I6001-06025-0C	FLANGE BOLT, HEX.	1
07-16		A5133-A11-0000	GEAR OIL PUMP DRIVEN	1
07-17		I4050-06060-0H	FLANGE NUT, HEX.	1
07-18		I4104-16230	WASHER	1
07-19		I4301-08140	KNOCK PIN	1
07-20		I4608-09016	O-RING	2

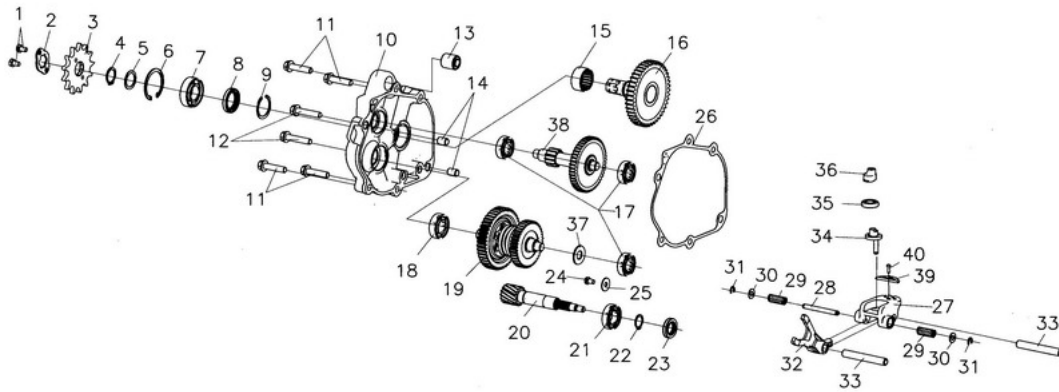
## 8. FAN COVER / GENERATOR



ITEM	AVAIL	PART NO.	NAME	QTY
08			FAN COVERGENERATOR	
08-1		A964A-A26-8000	DUCT ASSY, INLET	1
08-1-1		A961A-A26-8000	COVER ASSY, FAN	1
08-1-1-1		A9610-A26-0000	COVER COMP FAN	1
08-1-1-2		G0529-A04-0000	GROMMET SHROUD	1
08-1-1-3		H7541-A26-0000	LABEL OIL CAP	1
08-1-2		A9640-A26-0000	DUCT INLET COMP.	1
08-1-2-1		A9616-A26-0000	DUCT INLET	1
08-1-2-1		A9616-A26-0000	DUCT INLET	1
08-1-2-2		A9617-A26-0000	RUBBER	1
08-1-2-2		A9617-A26-0000	RUBBER	1
08-1-2-3		A9618-A26-0000	RUBBER	1
08-1-2-3		A9618-A26-0000	RUBBER	1
08-1-2-4		G0529-V30-0000	GROMMET SHROUD	1
08-1-2-4		G0529-V30-0000	GROMMET SHROUD	1
08-1-3		I3893-05012-0H	SCREW WASHER	3
08-2		A962A-A26-8000	SHROUD ASSY, A	1
08-2-1		A9620-A26-8000	SHROUD COMP, A	1
08-2-2		A9637-A12-0000	NUT SPRING	1
08-2-3		A9637-V30-0000	NUT SPRING	1
08-3		I6001-06025-0C	FLANGE BOLT, HEX.	3
08-4		I3500-05025-0G	SCREW, PAN	2
08-5		A9625-A11-0000	SEAL SHROUD	1
08-6		I6001-06016-0H	FLANGE BOLT, HEX.	5
08-7		A9510-A12-0000	FAN COMP COOLING	1
08-8		I4050-12110-0H	FLANGE NUT, HEX.	1
08-9		C1110-A12-9000	FLYWHEEL COMP	1
08-10		I6001-06020-0H	FLANGE BOLT, HEX.	2
08-11		C1120-A26-7000	STATOR COMP	1
08-12		I3412-05014-0H	BOLT, HEX.	2
08-13		A963A-A12-0000	SHROUD B ASSY	1
08-13-1		A9630-A12-0000	SHROUD B COMP	1
08-13-1		A9630-A12-0000	SHROUD B COMP	1
08-13-1-1		I6231-065050	COLLAR	1
08-13-1-1		I6231-065050	COLLAR	1
08-13-2		A9636-A12-0000	BOX TENSIONER LIFTER	1
08-13-2		A9636-A12-0000	BOX TENSIONER LIFTER	1
08-13-3		A9637-A12-0000	NUT SPRING	1
08-13-3		A9637-A12-0000	NUT SPRING	1

08-13-4		I3903-380H0	TRUSS	2
08-13-4		I3903-316B0	TAPPING SCREW, TRUSS	2
08-13-5		A9637-V30-0000	NUT SPRING	1
08-13-5		A9637-V30-0000	NUT SPRING	1
08-13-6		A9638-A12-0000	CLAMPER CABLE	1
08-13-6		A9638-A12-0000	CLAMPER CABLE	1
08-14		I4104-05501	WASHER	2
08-15		I5701-06025-0C	FLANGE BOLT, HEX.	1

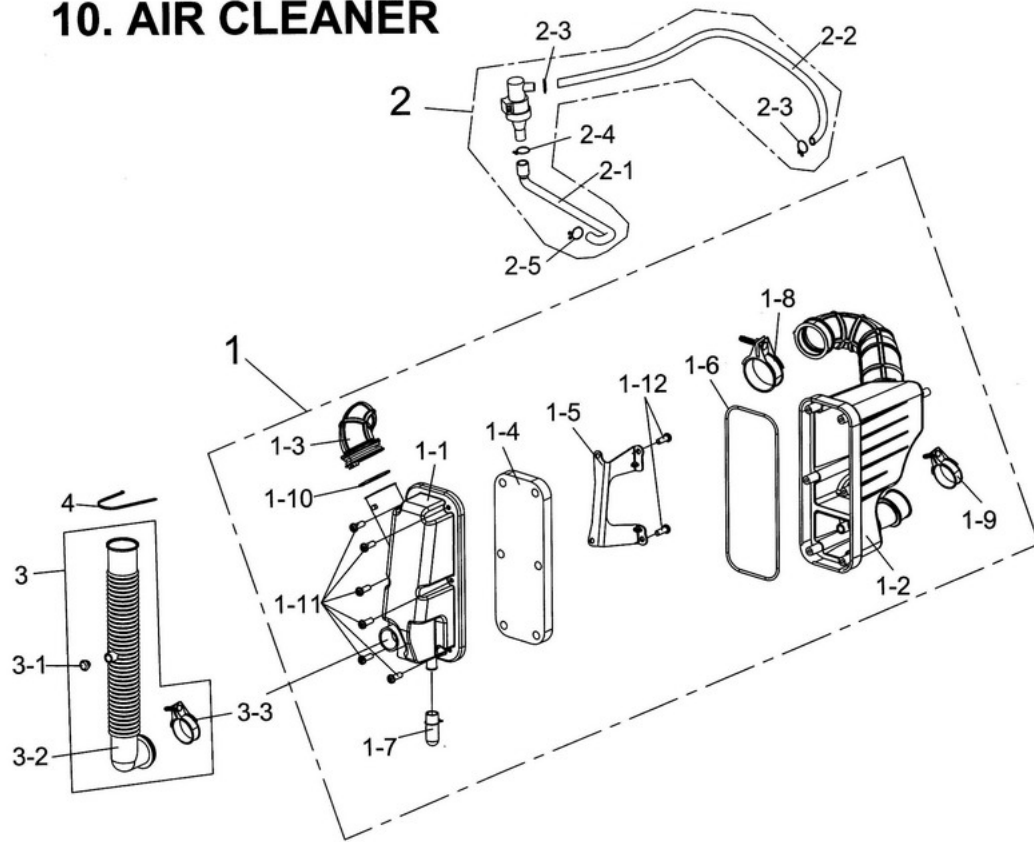
## 9. TRANSMISSION



ITEM	AVAIL	PART NO.	NAME	QTY
09			TRANSMISSION	
09-1		I2201-06010-0H	BOLT, HEX.	2
09-2		B3811-A00-0000	PLATE FIXING	1
09-3		B3801-A26-8000	SPROCKET, DRIVE	1
09-4		I4510-20000	CIRCLIP EX	1
09-5		I4104-20210	WASHER	1
09-6		I4520-42000	CIRCLIP IN	1
09-7		I6150-60040-10	BEARING, BALL, RADIAL	1
09-8		I1204-B00-0000	OIL SEAL	1
09-9		I4530-32000	CIRCLIP	1
09-10		B1300-A26-9900	COVER COMP, MISSION	1
09-11		I5701-08035-0H	FLANGE BOLT, HEX.	4
09-12		I5701-08040-0H	FLANGE BOLT, HEX.	2
09-13		A1203-A26-0000	REAR SHOCK ABSORBER BUSHING	1
09-14		I4301-10140	KNOCK PIN	2
09-15		I1130-253316	BEARING, NEEDLE	1
09-16		B3430-A26-8000	SHAFT COMP, FINAL	1
09-17		I6100-62013-10	BEARING, BALL, RADIAL	3
09-18		I6100-62020	BEARING, BALL, RADIAL	1
09-19		B3420-A26-9000	COUNTER SHAFT COMP	1
09-20		B3411-A26-9000	SHAFT DRIVE	1
09-21		I6100-60030	BEARING, BALL, RADIAL	1
09-22		I4510-17000	CIRCLIP EX	1
09-23		I1203-B00-0000	OIL SEAL	1
09-24		I3500-06010-0A	SCREW, PAN	1
09-25		I4104-06512A	WASHER	1
09-26		B1395-A26-6000	GASKET, MISSION COVER	1
09-27		B4421-A26-9000	SHIFT PUSH	1
09-28		B4625-A26-9000	SHAFT FIXED	1
09-29		B4306-A26-9000	SHIFT FIXD SPRING	2
09-30		I4104-06010	WASHER	2
09-31		I4540-0501G	CIRCLIP	2
09-32		B4231-A26-9000	FORK SHIFT	1
09-33		B4241-B07-0000	SHAFT GEAR SHIFT	2
09-34		B4411-A26-9000	CAM SHIFT	1
09-35		I6100-69010	BEARING, BALL, RADIAL	1
09-36		B4431-A26-9000	KNOCK BLOCK	1
09-37		I4104-12310	WASHER	1

09-38		B3250-A26-9000	REVERSE GEAR COMP	1
09-39		B4308-A26-9000	INSULATOR SHIM	1
09-40		I2600-03008	SCREW, PAN	1

# 10. AIR CLEANER

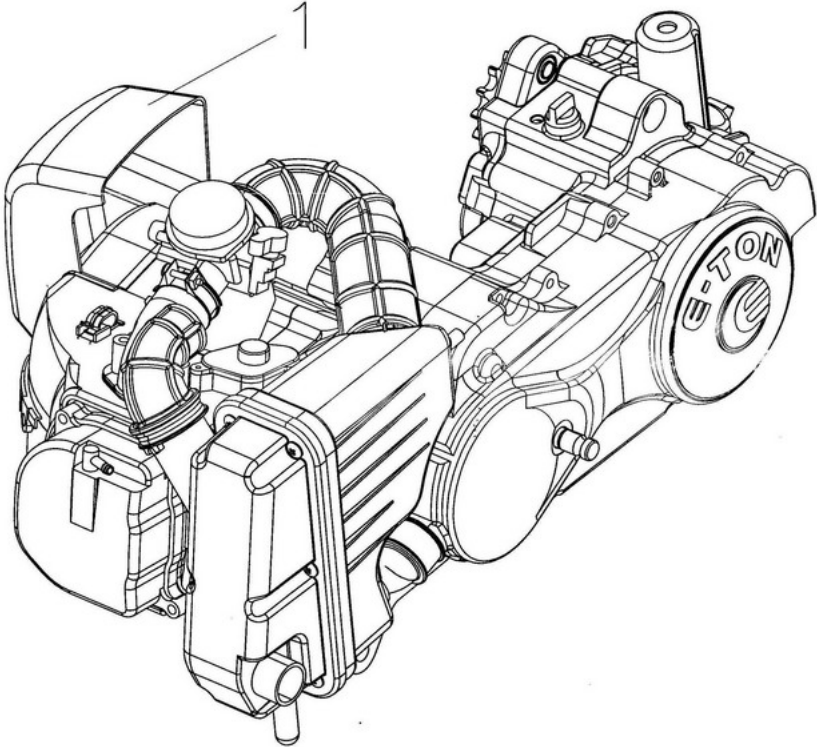


ITEM	AVAIL	PART NO.	NAME	QTY
10			AIR CLEANER	
10-1		A720A-A26-8000	AIR CLEANER ASSY	1
10-1-1		A7231-A26-8000	COVER, AIR/C	1
10-1-2		A723A-A26-8000	CASE COMP, AIR/C	1
10-1-3		A7257-A26-8000	DUCT, AIR/C	1
10-1-4		A7203-A26-8000	ELEMENT, AIR/C	1
10-1-5		A7261-A26-8000	HOLDER, AIR/C	1
10-1-6		I4608-A5430	O-RING	1
10-1-7		A7220-A26-8000	PIPE COMP, DRAIN	1
10-1-8		A7226-A26-8000	BAND A	1
10-1-9		A7227-A26-8000	BAND B	1
10-1-10		A7228-A26-8000	BAND	1
10-1-11		I3903-320B0	SELF-TAPPING SCREW	6
10-1-12		I2300-05016-0H	BOLT	2
10-2		A736A-A26-8000	OIL CATCH TANK ASSY	1
10-2-1		A7365-A26-8000	TUBE BREATHER (A)	1
10-2-1		A7365-A26-8000	TUBE BREATHER (A)	1
10-2-2		A7364-A26-8000	TUBE BREATHER (B)	1
10-2-2		A7364-A26-8000	TUBE BREATHER (B)	1
10-2-3		I5002-10810-0H	TUBE CLIP	2
10-2-3		I5002-10810-0H	TUBE CLIP	2
10-2-4		I5002-14510-0H	TUBE CLIP	1
10-2-4		I5002-14510-0H	TUBE CLIP	1
10-2-5		I5002-08510-0H	TUBE CLIP	1
10-2-5		I5002-08510-0H	TUBE CLIP	1
10-3		A1350-A26-0000	TUBE COMP, CVT INLET	1
10-3-1		A1351-A26-0000	TUBE, CVT INLET	1
10-3-2		A1352-A26-0000	PLUG	1
10-3-3		A7256-A26-0000	AIR DUCT CLAMP	1
10-4		H3936-5AA0-0000	WIRE CLAMP	1

No picture.

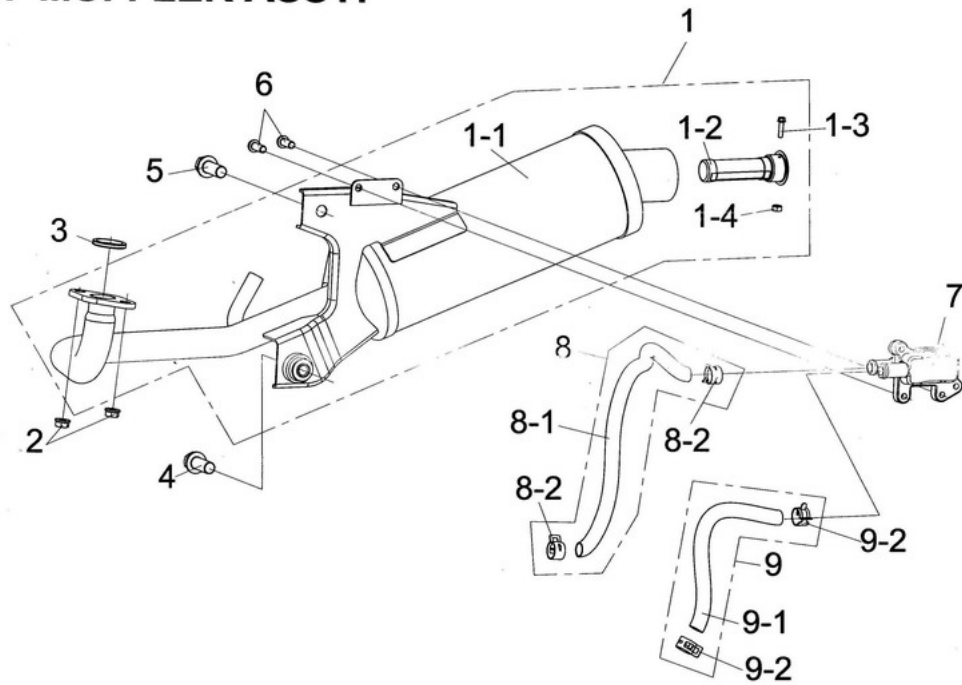
ITEM	AVAIL	PART NO.	NAME	QTY
11			PREARRANGE	

# 12. ENGINE



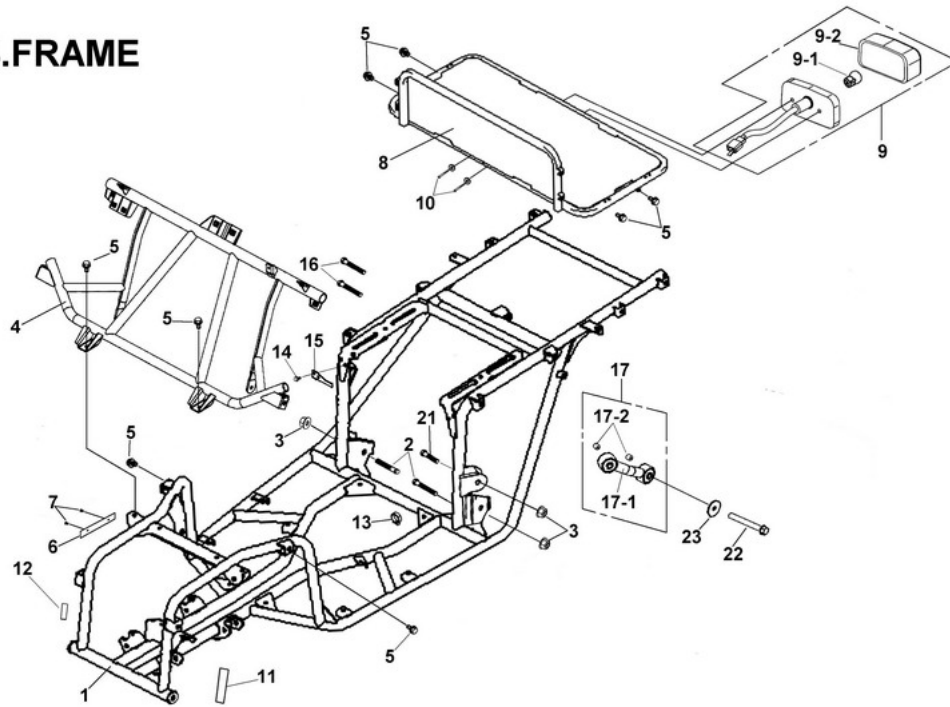
ITEM	AVAIL	PART NO.	NAME	QTY
12			ENGINE	
12-1		AA000-A26-7000	ENGINE	1

### 13. MUFFLER ASSY.



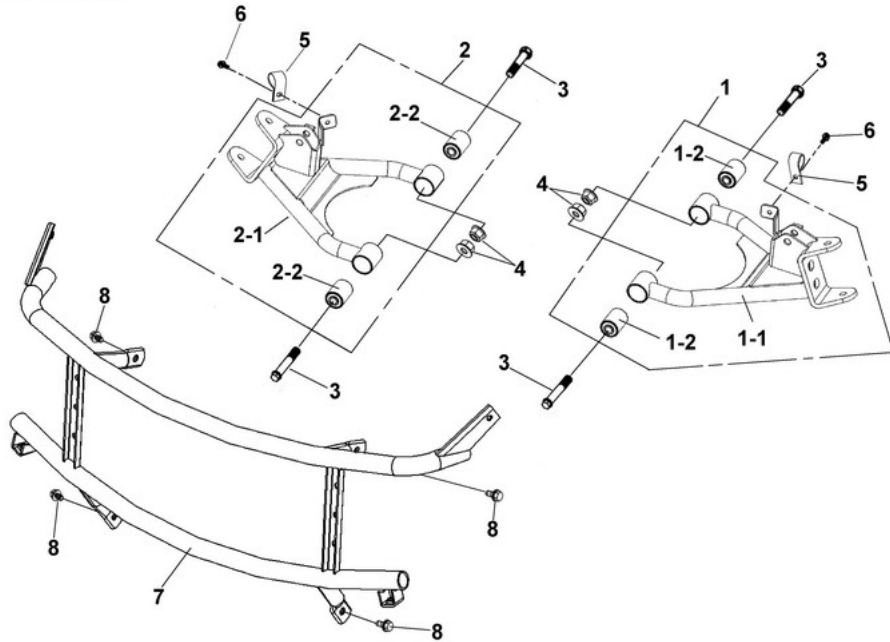
ITEM	AVAIL	PART NO.	NAME	QTY
13			MUFFLER	
13-1		A830A-A26-8000	EXHAUST PIPE ASSY	1
13-1-1		A8300-A26-8000	MUFFLER PIPE	1
13-1-2		A8303-FIA0-0000	SPARK ARRESTER	1
13-1-3		A8305-9KA0-0000	SOCKET BOLT	1
13-1-4		A8306-9KA0-0000	HEX, NUT, SAFETY	1
13-2		I0179-06850	NUT	2
13-3		A8291-A11-0000	GASKET EXH PIPE	1
13-4		I5827-08030	FLANGE BOLT, HEX.	1
13-5		I0149-08012	FLANGE BOLT, HEX.	1
13-6		I0149-06012	FLANGE BOLT, HEX.	2
13-7		A740A-A26-8000	REED VALVE ASSY	1
13-8		A7410-A26-8000	TUBE COMP, REED VELVE	1
13-8-1		A7411-A26-8000	TUBE, REED VALVE	1
13-8-2		A7422-5PA0-0000	CLAMP, TUBE	2
13-9		A7420-A26-8000	TUBE COMP, CONNECTING	1
13-9-1		A7421-A26-8000	TUBE, CONNECTING	1
13-9-2		A7422-5PA0-0000	CLAMP, TUBE	2

# 14.FRAME



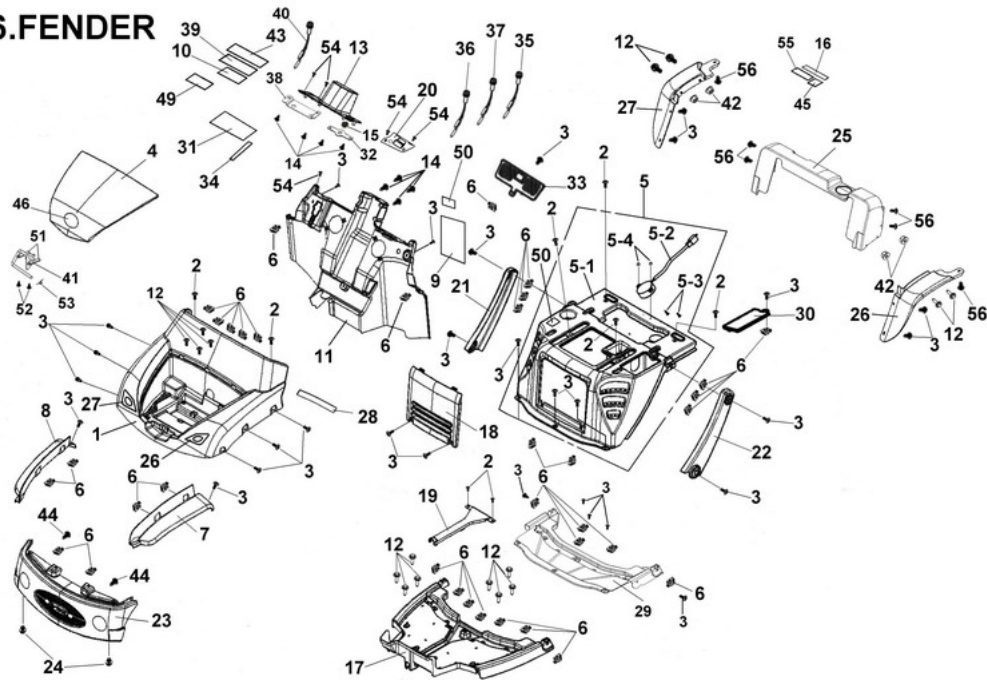
ITEM	AVAIL	PART NO.	NAME	QTY
14			FRAME	
14-1		E0100-9UB0-0000	FRAME COMP	1
14-2		I5701-12075-0C	BOLT FLANGE	2
14-3		I5601-12200	FLANGE NUT, SAFETY	3
14-4		C7203-9UA0-0001	SPEEDOMETER BRACKET	1
14-5		I0149-08016	FLANGE BOLT, HEX.	8
14-6	N	E0101-5EA0-0000	FRAME NUMBER PLATE	1
14-7		H750A-5BA1-0000	NAIL, PULL	2
14-8		E0411-9UB0-0000	RACK B	1
14-9		C3700-5EE8-0000	REVERSING LIGHT	1
14-9-1		C5004-5EE8-0000	BULB	1
14-9-2		C5005-5EE8-0000	REVERSING LIGHT LENS	1
14-10		I0119-05071	BOLT, HEX.	2
14-11		F4309-5EA0-0000	STICKER, MFD.	1
14-12		H7138-9KA0-0000	STICER,EMISSION CONTROL	1
14-13		D3211-9KA0-0000	CLIP	1
14-14		I0149-06012	FLANGE BOLT, HEX.	1
14-15		E0103-9UA0-0000	OIL GAS CATCH TANK BRACKET	1
14-16		I6001-06055-0H	BOLT FLANGE	2
14-17		E033A-9UB0-0000	UPPER HANGER COMP,ENGINE	1
14-17-1		E0330-9UB0-0000	UPPER HANGER HANGER,ENGINE	1
14-17-2		E0331-9UB0-0000	BUSH	2
14-21		I5802-12050-0C	BOLT FLANGE	1
14-22		I5802-12110-0C	BOLT FLANGE	1
14-23		I4104-12030-3H	WASHER	1

# 15. A-ARM



ITEM	AVAIL	PART NO.	NAME	QTY
15			A- ARM	
15-1		E020A-9UA0-0000	ARM,SUSPENSION,L.ASSY	1
15-1-1		E0200-9UA0-0000	ARM, SUSPENSION,L.	1
15-1-2		A1203-LRA0-0000	BUSH,ARM SUSPENSION	2
15-2		E021A-9UA0-0000	ARM,SUSPENSION,R.ASSY	1
15-2-1		E0210-9UA0-0000	ARM, SUSPENSION, R.H.	1
15-2-2		A1203-LRA0-0000	BUSH,ARM SUSPENSION	2
15-3		I5701-10060-0A	FLANGE BOLT, HEX.	4
15-4		I5611-10200	HEX. FLANGE NUT, SAFETY	4
15-5		G7112-BCA0-0000	BRACKET BRAKE HOSE	2
15-6		I0149-06012	FLANGE BOLT, HEX.	2
15-7		E0400-9UA0-0001	BUMPER , FRONT	1
15-8		I0149-08016	FLANGE BOLT, HEX.	4

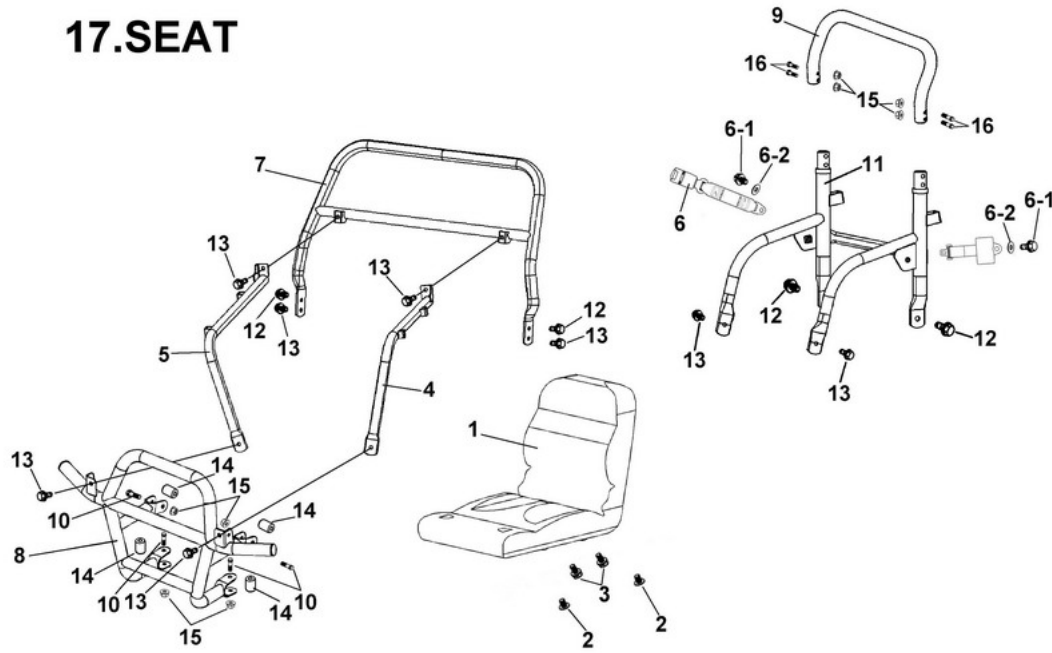
# 16.FENDER



ITEM	AVAIL	PART NO.	NAME	QTY
16			FENDER	
16-1		F4300-9UA0-0700	FENDER, FRONT(SILVER)	1
16-1		F4300-9UA0-2500	FENDER, FRONT(GREEN)	1
16-2		I0119-06802	BOLT, HEX.	8
16-3		E0117-9EA0-0000	SCREW, TRUSS	30
16-4		F4308-9UA0-0700	COVER, FRONT FENDER(SILVER)	1
16-4		F4308-9UA0-2500	COVER, FRONT FENDER(GREEN)	1
16-5		H350A-9UA0-2500	FENDER, REAR ASSY(GREEN)	1
16-5		H350A-9UA0-0700	FENDER, REAR ASSY(SILVER)	1
16-5-1		H3500-9UA0-2500	FENDER, REAR (GREEN)	1
16-5-1		H3500-9UA0-0700	FENDER, REAR (SILVER)	1
16-5-2		C8400-EMA0-0000	BUZZER	1
16-5-3		I2600-03015	SCREW PAN	2
16-5-4		I2020-30001	NUT, NYLON	2
16-6		I5900-06160	SPRING NUT	35
16-7		F3520-9UA0-0000	FRONT FENDER (L)	1
16-8		F3620-9UA0-0000	FRONT FENDER (R)	1
16-9		H7101-9UA0-0000	STICKER ,WARNING	1
16-10		H7164-9UA0-0000	STICKER,DECLARATION	1
16-11		E3206-9UA0-0001	INSTRUMENT PANEL	1
16-12		I0119-06821	BOLT, HEX.	16
16-13		E3205-9UB0-0000	COVER, INSTRUMENT PANEL	1
16-14		I7707-04016	TAPPING SCREW, TRUSS	8
16-15		E3219-9UA0-0000	COMPASS BALL	1
16-16		H7163-9UB0-0000	STICKER,REAR BOX	1
16-17		H3520-9UA0-0001	FOOTREST	1
16-18		H3521-9UA0-2500	COVER, REAR FENDER FRONT(GREEN)	1
16-18		H3521-9UA0-0700	COVER, REAR FENDER FRONT(SILVER)	1
16-19		H3522-9UA0-0000	FOOTREST COVER	1
16-20		E3204-9UA0-0000	CAP, BRAKE OIL TANK	1
16-21		F4500-9UA0-0000	RIGHT SIDE COVER	1
16-22		F4400-9UA0-0000	LEFT SIDE COVER	1
16-23		E0430-9UB0-0000	COVER, FRONT BUMPER	1
16-24		I0149-06012	FLANGE BOLT, HEX.	2
16-25		H3920-9UB0-0000	COVER, FUEL TANK PROTECTOR	1
16-26		H3720-9UB0-0000	TRIM,REAR LEFT	1
16-27		H3820-9UB0-0000	TRIM,REAR RIGHT	1

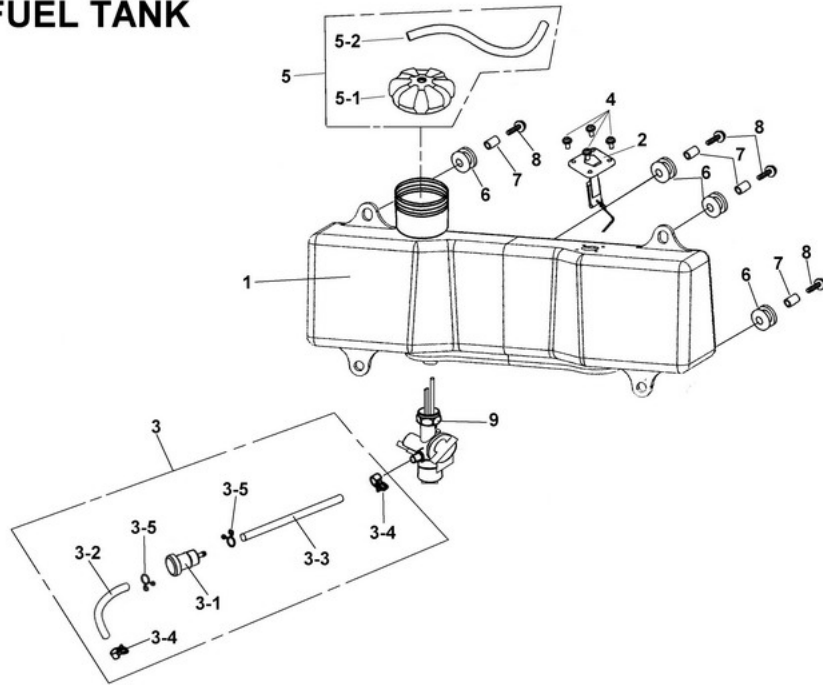
16-28		C1501-9FA0-0000	FOAM STICK, BATTERY	1
16-29		H3530-9UB0-0000	FOOTREST B	1
16-30		E0325-9UA0-2500	COVER,BATTERY (GREEN)	1
16-30		E0325-9UA0-0700	COVER,BATTERY (SILVER)	1
16-31		H7166-9UA0-0000	STICKER,INDICATE GEAR	1
16-32		E3220-9UA0-0000	BRACKET , COMPASS	1
16-33		E3207-9UA0-0000	RACK, PLATE	1
16-34		H7161-9UA0-0000	STICKER ,SHIFT GEAR	1
16-35		C3101-FIA0-0000	INDICATE(RED)	1
16-36		C3102-FIA0-0000	INDICATE(BLUE)	1
16-37		C3103-FIA0-0000	INDICATE(GREEN)	1
16-38		C7205-9UA0-0000	BRACKET , SPEEDOMETER	1
16-39		H7162-9UA0-0000	STICKER,SEAT BELT	1
16-40		C3108-9UB0-0000	INDICATE	1
16-41		F4305-9UA0-0000	LATCH , FRONT UPPER COVER	1
16-42		I5611-06200-0G	HEX. FLANGE NUT, SAFETY	4
16-43		H7165-9UA0-0000	WARNING STICKER ,ROLLOVER	1
16-44		I7701-50016	SCREW, TAPPING	2
16-45		H7106-5ED0-0000	WARNING STICKER,MUFFLER	1
16-46		H7107-9UA0-0800	STICKER , LOGO	1
16-46		H7107-9UA0-0000	STICKER , LOGO	1
16-49		H7140-LRA0-0000	STICKER,PARKING ADJUSTER NOTICE	1
16-50		H7131-9UB0-0000	STICKER,POWER SUPPLY	2
16-51		F4306-9UA0-0000	FIX PLATE	2
16-52		I2804-04013-5C	TAPPING SCREW, TRUSS	2
16-53		F4307-9UA0-0000	LATCH BOX SPRING	1
16-54		I8310-06025	SCREW(M6x25)	5
16-55		H7139-FIA0-0000	SPARK ARRESTER DECLARATION	1
16-56		I3701-06012-1G	SCREW	6

# 17.SEAT



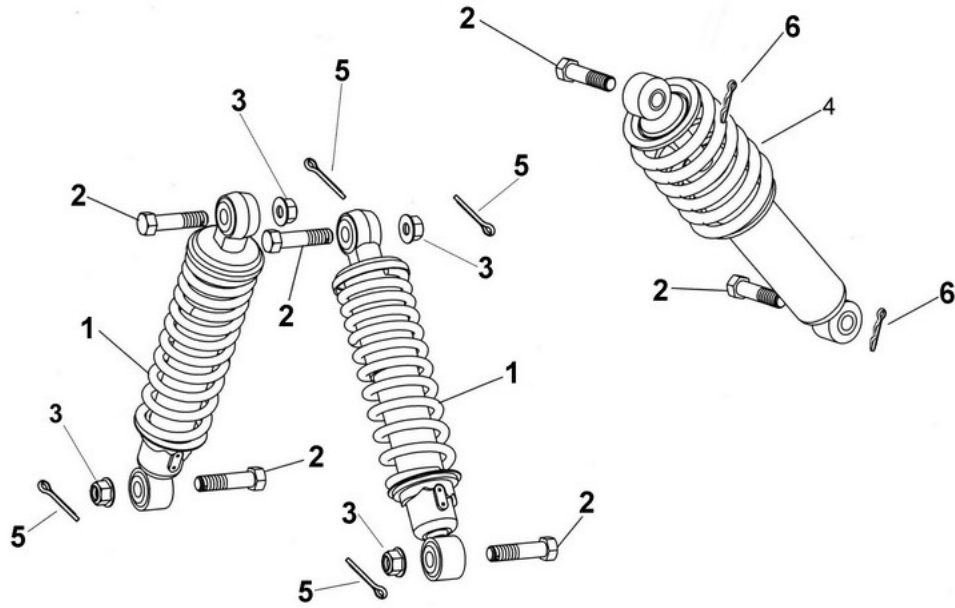
ITEM	AVAIL	PART NO.	NAME	QTY
17			SEAT	
17-1		G7200-9UA0-0001	SEAT COMP	1
17-2		I6904-08013-0C	STEP SCREW	2
17-3		I6706-08020-0C	SCREW WASHER	2
17-4		G7257-9UB0-0000	PROP C	1
17-5		G7258-9UB0-0000	PROP D	1
17-6		G7250-9UA0-0000	SEAT BELT	1
17-6-1		I5702-10025-0H	BOLT FLANGE	2
17-6-2		I4111-12220-1H	SPRING WASHER	2
17-7		G7251-9UB0-0000	PROP A	1
17-8		E0400-9UB0-0000	BUMPER ,FRONT	1
17-9		G7253-9UB0-0000	PROP B	1
17-10		I0149-08040	BOLT,FLANGE	4
17-11		G7255-9UA0-0001	ARMRESTS	1
17-12		I5801-10015-0H	BOLT FLANGE	4
17-13		I0149-08016	FLANGE BOLT, HEX.	8
17-14		E0402-9UB0-0000	COLLAR	4
17-15		I5616-08200	NUTFLANGE CHECK	8
17-16		I3500-08040-1G	SCREW PAN	4

# 18.FUEL TANK



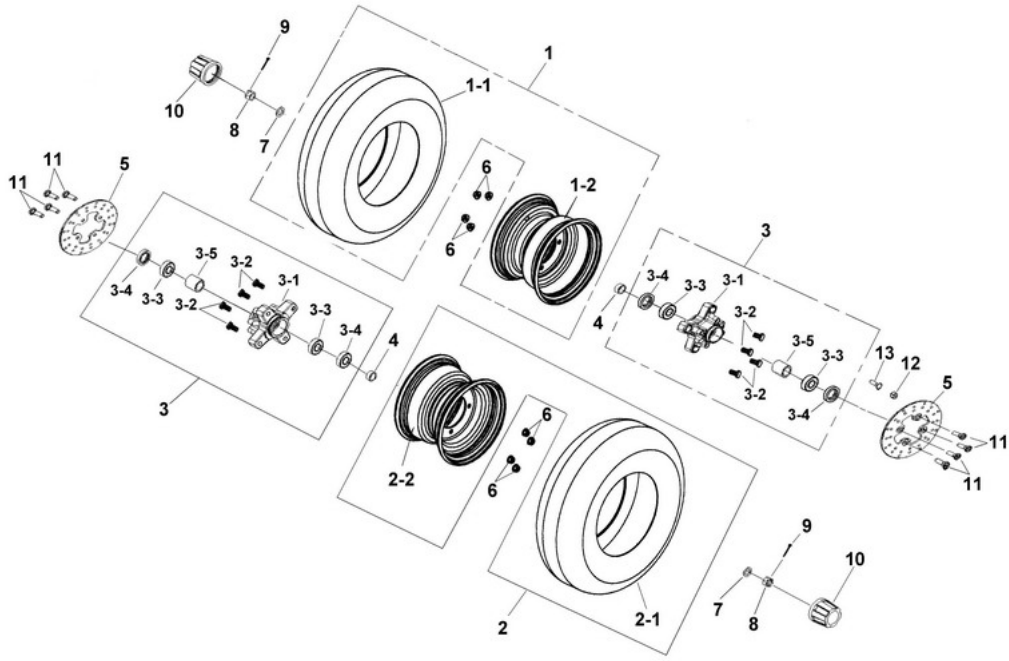
ITEM	AVAIL	PART NO.	NAME	QTY
18			FUEL TANK	
18-1		A7500-9UA0-0000	FUEL TANK	1
18-2		C7800-9UA0-0000	METER FUEL LEVER	1
18-3		A751A-9UA0-9000	FUEL FILTER ASSY	1
18-3-1		A7519-FIA0-1000	FUEL FILTER	1
18-3-2		A7514-9UA0-9000	FUEL TUBE (A)	1
18-3-3		A7515-9UA0-9000	FUEL TUBE (B)	1
18-3-4		I5002-40850-04	CLAMP, TUBE	2
18-3-5		I5002-50000	CLIP, TUBE	2
18-4		I0200-50160	CROSS BOLT, HEX.	4
18-5		A762A-GJA0-0000	FUEL TANK CAP ASSY.	1
18-5-1		A7620-LRA0-0000	FUEL TANK CAP	1
18-5-2		A7621-GJA0-0000	BREATHE TUBE	1
18-6		A7510-FIA0-0000	FUEL TANK RUBBER PAD	4
18-7		A7511-FIA0-0000	RUBBER INSULATOR	4
18-8		I0119-06030	BOLT, HEX.	4
18-9		A6701-FIA0-9000	FUEL COCK ASSY	1
18-9-1		I4608-15020	O-RING	1
18-9-2		I3500-04080-1A	SCREW PAN	1
18-9-3		A6702-FIA0-0000	SEAL, COOK	1
18-9-4		I4608-10022	O-RING	1
18-9-5		A6703-FIA0-0000	VALVE PACKING	1

# 19. SUSPENSION



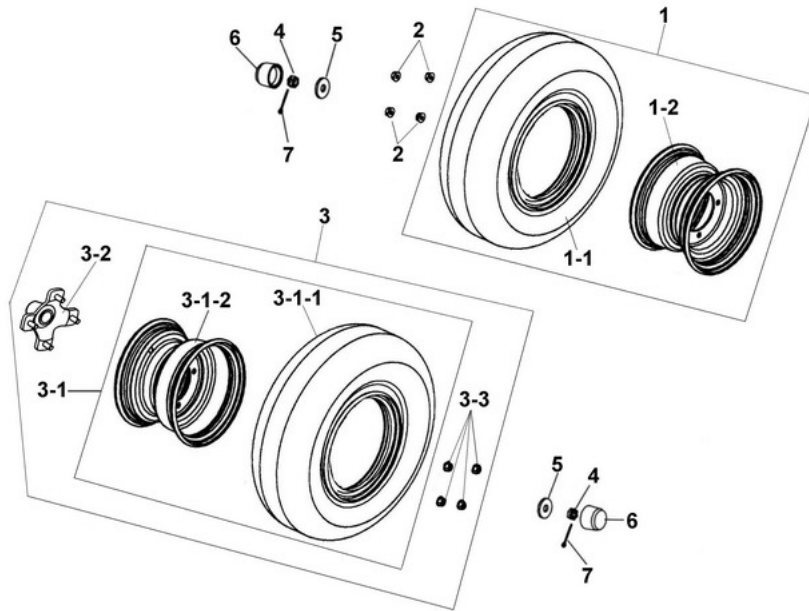
ITEM	AVAIL	PART NO.	NAME	QTY
19			SUSPENSION	
19-1		E1100-9UB0-0700	SUSPENSION, FRONT (SILVER)	2
19-2		I0102-10040B	FLANGE BOLT, HEX.	6
19-3		I5701-10500	FLANGE NUT, HEX.	2
19-4		E2400-9UB0-0000	SUSPENSION	1
19-5		I9900-25019	PIN, SPLIT	4
19-6		I0468-12006	PIN	2

## 20.FRONT WHEEL



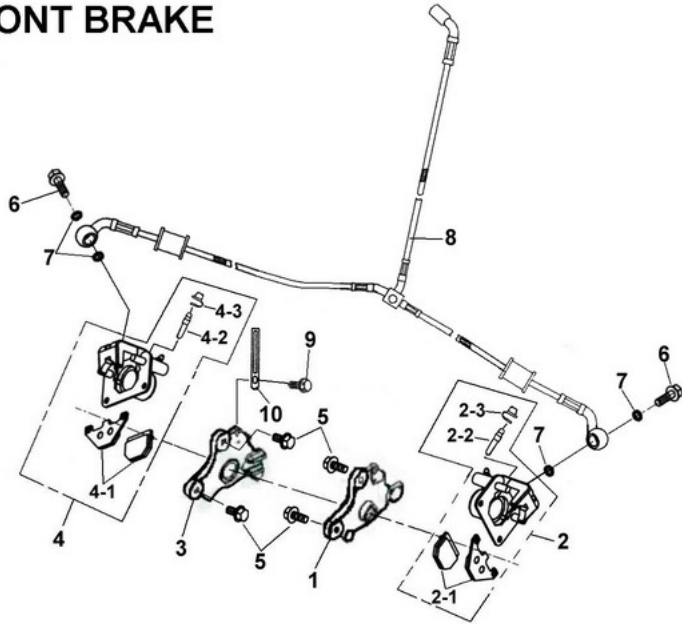
ITEM	AVAIL	PART NO.	NAME	QTY
20			FRONT WHEEL	
20-1		D471A-9UA0-0S00	FRONT WHEEL COMP.,LEFT	1
20-1-1		D4710-9UA0-0000	WHEEL TIRE 18x7-10	1
20-1-2		D4601-FIC0-0S00	WHEEL RIM 10*5.5"	1
20-2		D471B-9UA0-0S00	FRONT WHEEL COMP.,RIGHT	1
20-2-1		D4710-9UA0-0000	WHEEL TIRE 18x7-10	1
20-2-2		D4601-FIC0-0S00	WHEEL RIM 10*5.5"	1
20-3		D461A-GJA0-0000	WHEEL HUB ASSY	2
20-3-1		D4610-FIC0-0000	WHEEL HUB	2
20-3-2		D4612-GJA0-0000	BOLT	8
20-3-3		I6100-6203LLU	BEARING(6203-LLU)	4
20-3-4		I1307-24040-10	OIL SEAL	4
20-3-5		D4620-FIC0-0000	INNER SPACER	2
20-4		D4621-FIA0-0000	OUTER SPACER	2
20-5		D5351-FIC0-0000	BRAKE DISK	2
20-6		D4611-FIC0-0000	NUT	8
20-7		I9905-14200	WASHER	2
20-8		I5500-14100	CASTLE NUT	2
20-9		I4201-46325	SPLIT PIN	2
20-10		D4609-9FA0-0000	RUBBER CAP	2
20-11		D5350-FIC0-0000	BOLT,ROUND HEAD	8
20-12		C7205-5PA0-0000	MAGNET	1
20-13		D4613-5PA0-0000	SCREW	1

## 21.REAR WHEEL



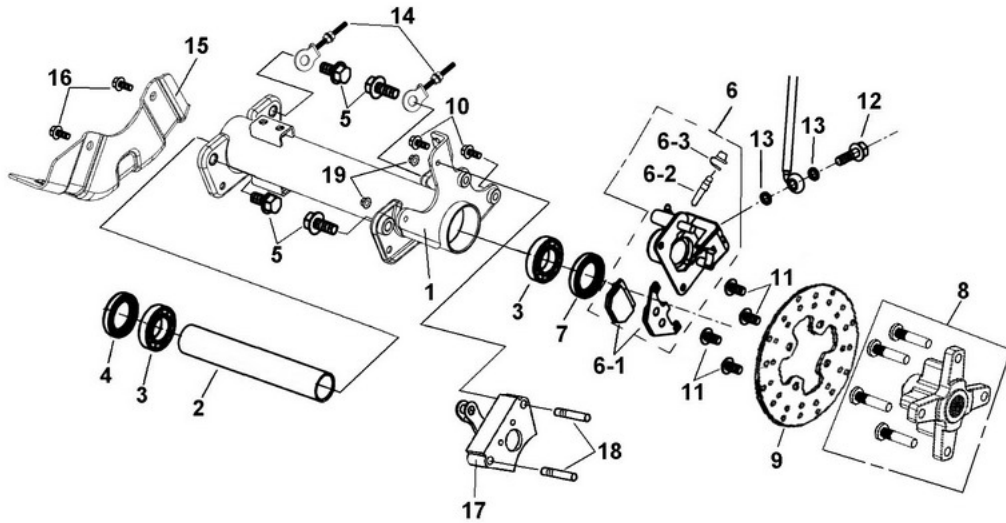
ITEM	AVAIL	PART NO.	NAME	QTY
21			REAR WHEEL	
21-1		D471C-9UA0-0S00	REAR WHEEL COMP.,LEFT	1
21-1-1		D4720-9UA0-0000	WHEEL TIRE 18x8-10	1
21-1-2		D4602-9UA0-0S00	WHEEL RIM 10x6.5"	1
21-2		D4611-FIC0-0000	NUT	4
21-3		D472D-9UA0-0S00	REAR WHELL ASSY.,RIGHT	1
21-3-1		D471D-9UA0-0S00	REAR WHEEL COMP.,RIGHT	1
21-3-1-1		D4720-9UA0-0000	WHEEL TIRE 18x8-10	1
21-3-1-2		D4602-9UA0-0S00	WHEEL RIM 10x6.5"	1
21-3-2		D2705-9UA0-0000	SHAFT CONNECTER WITH BOLTS RIGHT	1
21-3-3		D4611-FIC0-0000	NUT	4
21-4		I4012-140H0	CASTLE NUT	2
21-5		D2309-5EA0-0000	WASHER	2
21-6		D4609-5EA0-0001	RUBBER CAP	2
21-7		I4201-46325	SPLIT PIN	2

## 22.FRONT BRAKE



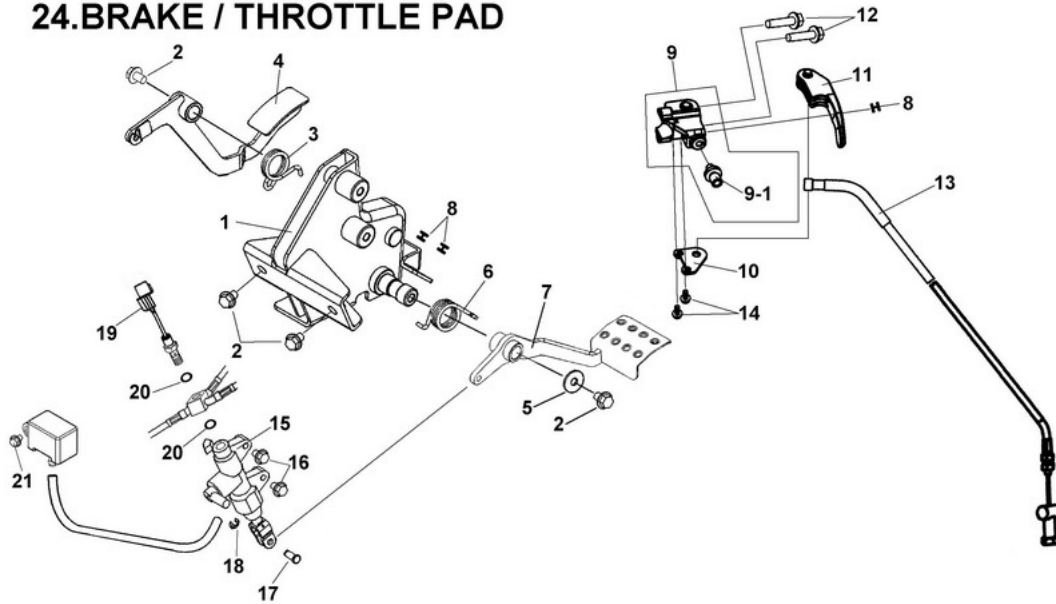
ITEM	AVAIL	PART NO.	NAME	QTY
22			FRONT BRAKE	
22-1		G7160-FIC0-0000	BRAKE DISC MOUNTING SEAT, LEFT	1
22-2		G7120-FIC0-0001	BRAKE CALLIPER (L)	1
22-2-1		G7131-5EE0-0000	BRAKE SHOE COMP	1
22-2-2		G7132-5EE0-0000	BOLT LEAKAGE	1
22-2-3		G7133-BCA0-0000	CAP LEAKAGE	1
22-2-4		G7139-5EE0-0000	SPRING,PAO	1
22-3		G7170-FIC0-0000	BRAKE DISC MOUNTING SEAT RIGH	1
22-4		G7140-FIC0-0001	BRAKE CALLIPER	1
22-4-1		G7131-5EE0-0000	BRAKE SHOE COMP	1
22-4-2		G7132-5EE0-0000	BOLT LEAKAGE	1
22-4-3		G7133-BCA0-0000	CAP LEAKAGE	1
22-4-4		G7139-5EE0-0000	SPRING,PAO	1
22-5		I7507-FIA0-0000	BOLT, HEX.	4
22-6		I0401-10034	FLANGE BOLT, HEX.	2
22-7		I0201-10118	WASHER	4
22-8		G7110-9UB0-0000	BRAKE OIL TUBE ASSY	1
22-9		I8557-06012	SCREW WASHER	1
22-10		C2962-UE1-0000	CLAMPER PULSER CORD	1

## 23. REAR BRAKE



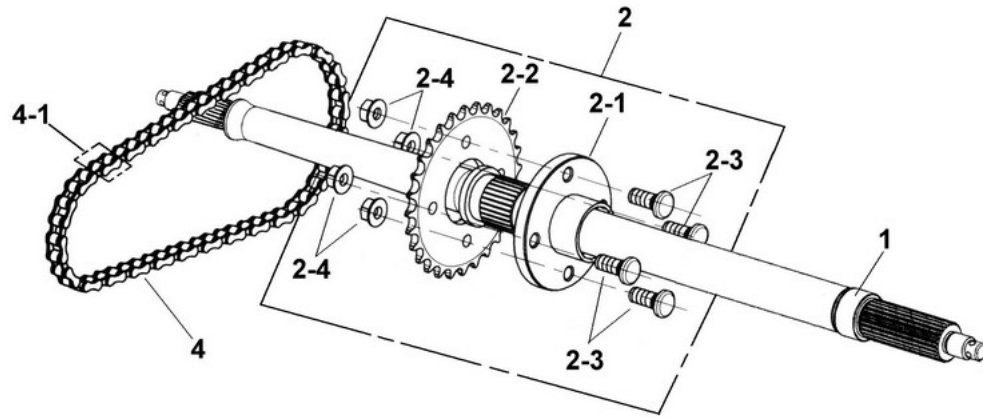
ITEM	AVAIL	PART NO.	NAME	QTY
23			REAR BRAKE	
23-1		D2310-9UB0-0000	BEARING SEAT ,REAR WHEEL AXLE	1
23-2		D2311-9UB0-0000	SPACER	1
23-3		I6100-6006ZZ	BEARING, BALL RADIAL	2
23-4		D2313-9EA0-0000	OIL SEAL	1
23-5		I0141-12025-01	FLANGE BOLT, HEX.	4
23-6		G7140-FIC0-0001	BRAKE CALLIPER	1
23-6-1		G7131-5EE0-0000	BRAKE SHOE COMP	1
23-6-2		G7132-5EE0-0000	BOLT LEAKAGE	1
23-6-3		G7133-BCA0-0000	CAP LEAKAGE	1
23-6-4		G7139-5EE0-0000	SPRING,PAO	1
23-7		D2315-9EA0-0000	OIL SEAL(38x55x10)	1
23-8		D2703-9UA0-0000	SHAFT CONNECTER WITH BOLTS LEFT	1
23-9		D5351-GJA0-0000	BRAKE DISC	1
23-10		I7507-FIA0-0000	BOLT, HEX.	2
23-11		D5350-FIC0-0000	BOLT,ROUND HEAD	4
23-12		I0401-10034	FLANGE BOLT, HEX.	1
23-13		I0201-10118	WASHER	2
23-14		D0120-4HA0-0000	CHAIN ADJUSTER	2
23-15		D0101-9UA0-0000	GEAR PROTECT COVER	1
23-16		I0149-08012	FLANGE BOLT, HEX.	2
23-17		D3701-9UA0-0000	CALLIPER	1
23-18		D3706-9UA0-0000	PIN	2
23-19		I0309-083H0	NUT CHECK	2

## 24. BRAKE / THROTTLE PAD



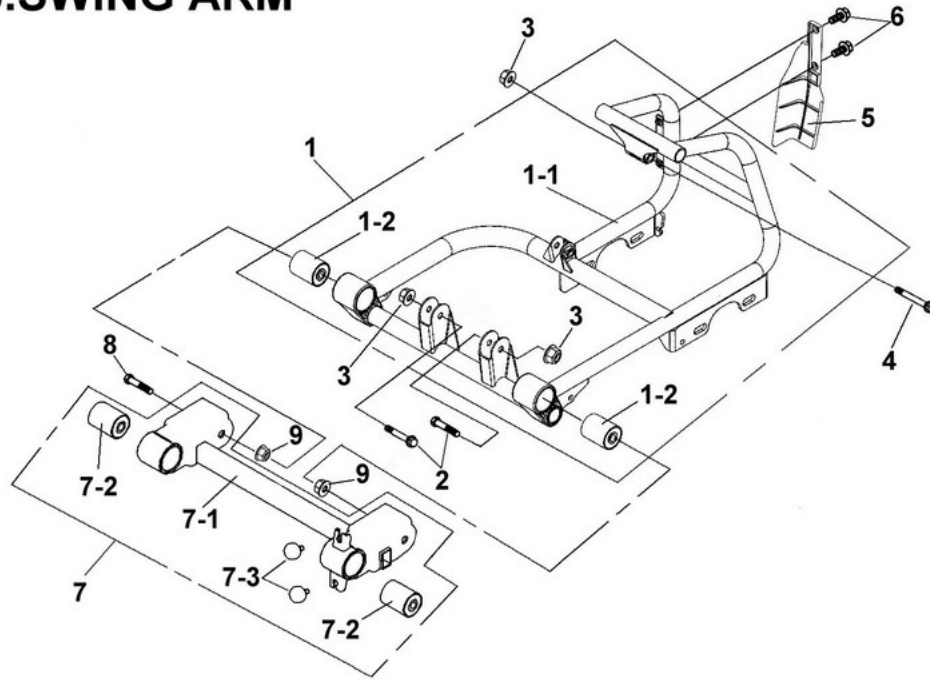
ITEM	AVAIL	PART NO.	NAME	QTY
24			BRAKE /THROTTLE PAD	
24-1		E3190-9UA0-0000	PEDAL BRACKET	1
24-2		I0149-08012	FLANGE BOLT, HEX.	4
24-3		E3191-9UA0-0000	THROTTLE RETURN SPRING	1
24-4		E3192-9UA0-0000	THROTTLE PEDAL	1
24-5		I0201-08110	WASHER	1
24-6		E0709-9UA0-0000	BRAKE RETURN SPRING	1
24-7		E0708-9UB0-0000	PEDAL COMP BRAKE	1
24-8		H475B-5BA1-0000	PAD, LICENSE PLATE	3
24-9		D3701-LRA0-0000	PARKING HOLDER	1
24-9-1		E3185-LRA0-0000	ADJUSTER BOLT	1
24-10		D3702-LRA0-0000	PARKING PLATE	1
24-11		D3703-LRA0-0000	PARKING LEVER	1
24-12		I0050-06025	BOLT, SOCKET	2
24-13		D3704-9UB0-0000	PARKING CABLE	1
24-14		I8501-06010	SCREW, PAN	2
24-15		D3200-9UA0-0000	FOOT MASTER CYLINDER ASSY.	1
24-16		I5827-08030	FLANGE BOLT, HEX.	2
24-17		I7510-06016-1B	PIN	1
24-18		I5300-00500-N	E CLIP, EX	1
24-19		G7202-9UA0-0000	SENSOR BRAKE LIGHT	1
24-20		I0201-10118	WASHER	2
24-21		I0149-06016	FLANGE BOLT, HEX.	1

## 25.REAR WHEEL AXLE



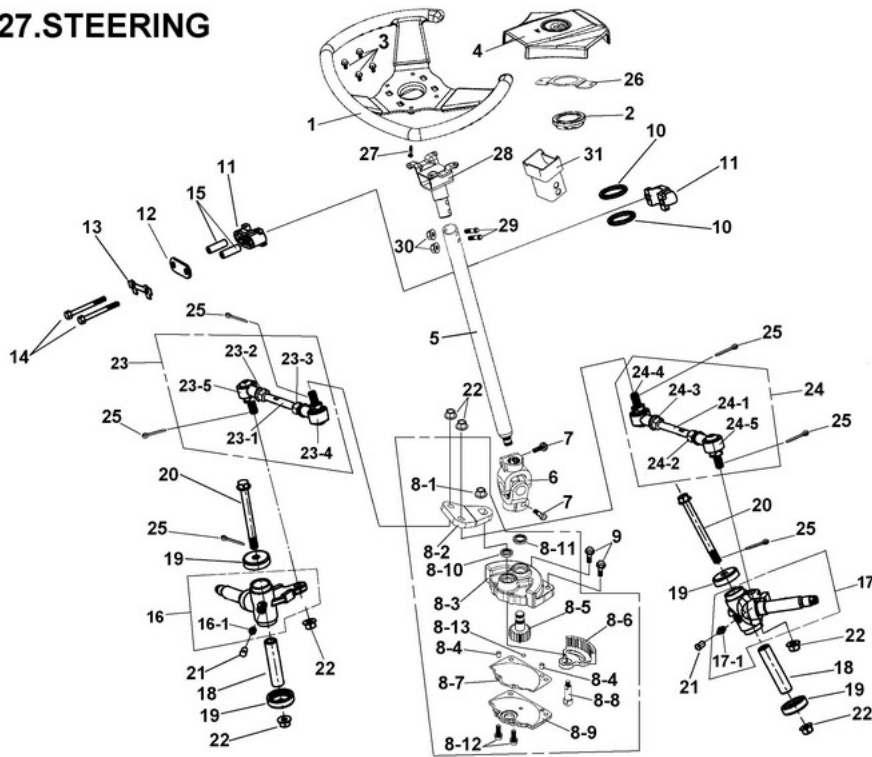
ITEM	AVAIL	PART NO.	NAME	QTY
25			REAR WHEEL AXLE	
25-1		D2301-9UB0-0000	AXLE, REAR	1
25-2		D0110-9UA0-0000	SPROCKET ASSY(32T)	1
25-2-1		D0111-9UA0-0000	SPROCKET HOLDER,REAR	1
25-2-2		D1111-9UA0-0000	SPROCKET(32T)	1
25-2-3		D2706-9EA0-0000	BOLT	4
25-2-4		I5611-10200	HEX. FLANGE NUT, SAFETY	4
25-3		D2303-9UA0-0000	AXLE CLIP,REAR	1
25-4		D0100-9UA0-0000	DRIVE CHAIN (520Hx42L)	1
25-4-1		D0104-9EA0-0000	DRIVE CHAIN LINK(#520)	1

# 26.SWING ARM



ITEM	AVAIL	PART NO.	NAME	QTY
26			SWING ARM	
26-1		E220A-9UA0-0000	SWING ARM SUB ASSY	1
26-1-1		E2200-9UA0-0000	SWING ARM	1
26-1-2		E2208-9UA0-0000	BUSH	2
26-2		I0149-10400	FLANGE BOLT, HEX.	2
26-3		I5612-10200	HEX. FLANGE NUT, SAFETY	3
26-4		E0351-5EA0-0000	FLANGE BOLT, HEX.	1
26-5		D0102-9UA0-0000	DRIVE CHAIN COVER	1
26-6		I0149-06012	FLANGE BOLT, HEX.	2
26-7		E035A-9UB0-0000	HANGER ASSY,ENGINE	1
26-7-1		E0350-9UB0-0000	HANGER , ENGINE	1
26-7-2		E2208-9UA0-0000	BUSH	2
26-7-3		E0354-9UB0-0000	RUBBER DAMPER	2
26-8		I5701-12075-0C	BOLT FLANGE	1
26-9		I5601-12200	FLANGE NUT, SAFETY	2

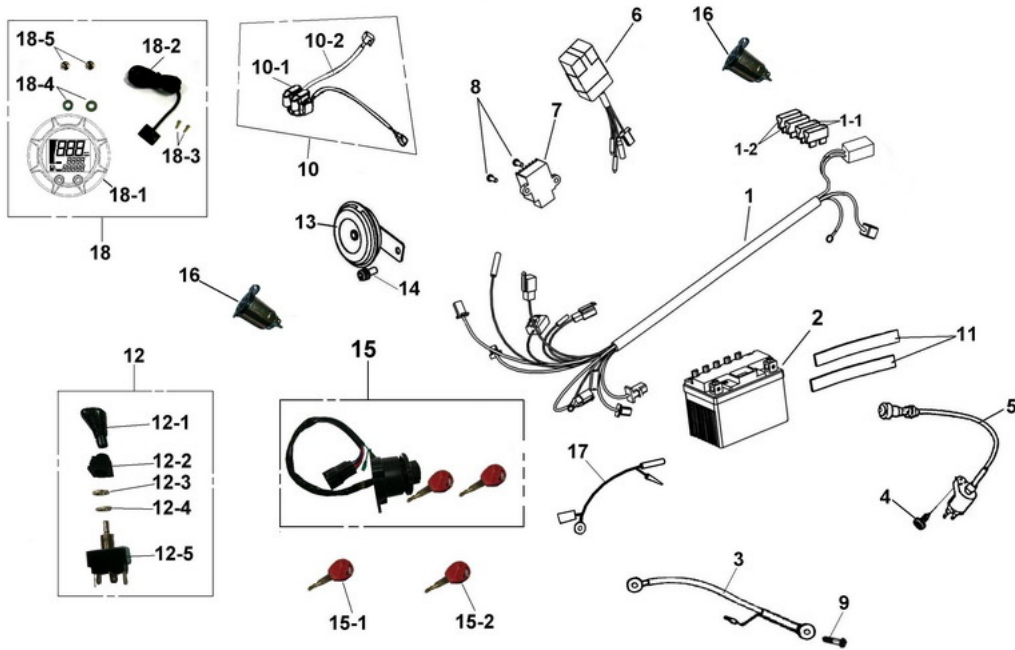
## 27. STEERING



ITEM	AVAIL	PART NO.	NAME	QTY
27			STEERING	
27-1		E3100-9UA0-0000	STEERING WHEEL	1
27-2		C5202-9UA0-0000	HORN BUTTON	1
27-3		I0149-06016	FLANGE BOLT, HEX.	4
27-4		E3108-9UA0-0000	STEERING WHEEL LID	1
27-5		E3200-9UB0-0000	COLUMN, STEERING	1
27-6		E3320-9UA0-0000	STEERING JOINT	1
27-7		I6700-10025-0C	BOLT, SOCKET	2
27-8		E330A-9UA0-0000	STEERING GEAR ASSY.	1
27-8-1		D4611-9EA0-0000	FLANGE NUT, HEX.	1
27-8-2		E3300-9UA0-0000	PULL PLATE	1
27-8-3		E3301-9UA0-0000	MAIN BODY	1
27-8-4		I4301-08090	KNOCK PIN	2
27-8-5		E3302-9UA0-0000	GEAR 19T	1
27-8-6		E3303-9UA0-0000	GEAR 52T	1
27-8-7		E3304-9UA0-0000	GASKET	1
27-8-8		E3305-9UA0-0000	AXLE	1
27-8-9		E3306-9UA0-0000	LID	1
27-8-10		I1201-9UA0-0000	OIL SEAL	1
27-8-11		I1202-9UA0-0000	OIL SEAL	1
27-8-12		I0050-06025	BOLT, SOCKET	2
27-8-13		I4104-06505-1J	WASHER	1
27-9		I5827-08030	FLANGE BOLT, HEX.	2
27-10		E3209-FIA0-0000	OIL SEAL(31.8x37.8x4)	2
27-11		E3202-FIA0-0000	HOLDER, STEERING SHAFT	2
27-12		E3210-FIA0-0000	HOLDER, STEERING SHAFT PRESSED PLATED	1
27-13		E3203-FIA0-0000	FIX PLATE, STEERING SHAFT	1
27-14		I0020-08060	BOLT, HEX.	2
27-15		E3208-FIA0-0000	STEERING , COLLAR	2
27-16		E0205-FIA0-1000	KNUCKLE, LEFT	1
27-16-1		I6600-06000	GREASE VALVE	1
27-17		E0215-FIA0-1000	KNUCKLE, RIGHT	1
27-17-1		I6600-06000	GREASE VALVE	1
27-18		E0211-9FA0-0000	SLEEVE	2
27-19		E0203-9FA0-0000	CAP	4
27-20		I5701-10105-0A	FLANGE BOLT, HEX.	2
27-21		E0209-5EA0-9000	CAP, GREASE VALVE	2
27-22		I5611-10200	HEX. FLANGE NUT, SAFETY	6

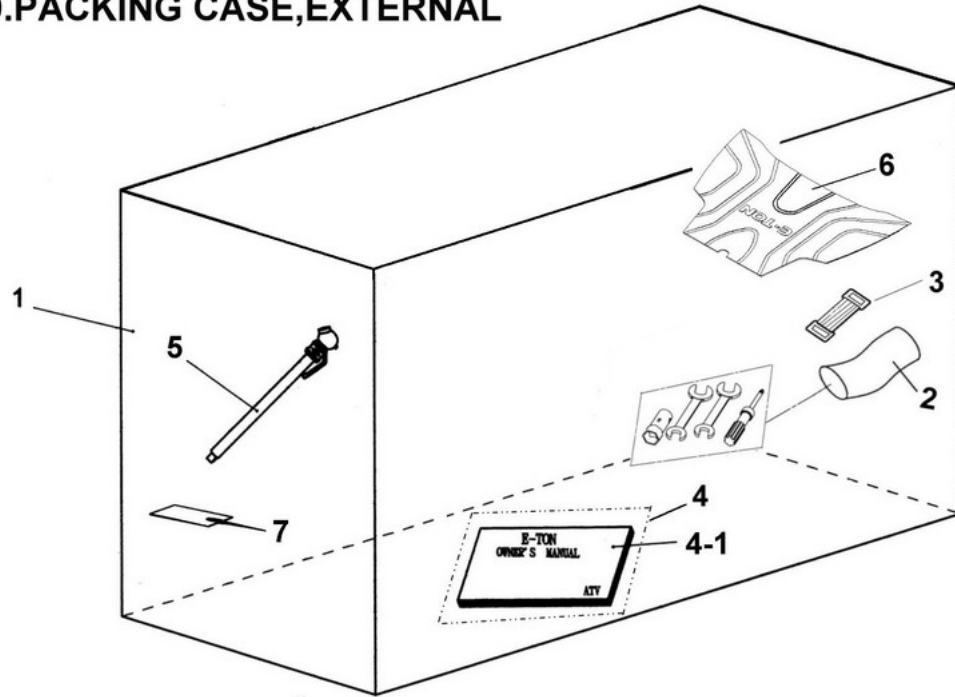
27-23		E0258-GJA0-0000	STEERING TIE-ROD ASSYLEFT	1
27-23-1		E0251-FIA0-1000	BOLT,STUD	1
27-23-2		E0252-5EA0-0000	NUT (R)	1
27-23-3		E0253-5EA0-0000	NUT (L)	1
27-23-4		E0255-GJA0-0000	UNIVERSAL JOINT(L)	1
27-23-5		E0256-GJA0-0000	UNIVERSAL JOINT(R)	1
27-24		E0259-GJA0-0000	STEERING TIE-ROD ASSYRIGHT	1
27-24-1		E0251-FIA0-1000	BOLT,STUD	1
27-24-2		E0252-5EA0-0000	NUT (R)	1
27-24-3		E0253-5EA0-0000	NUT (L)	1
27-24-4		E0255-GJA0-0000	UNIVERSAL JOINT(L)	1
27-24-5		E0256-GJA0-0000	UNIVERSAL JOINT(R)	1
27-25		I9900-25019	PIN, SPLIT	6
27-26		E3109-9UA0-0000	FIX PLATEHORN BUTTON	1
27-27		I0153-06012	SCREW	1
27-28		E3103-9UB0-0000	STEERING WHEEL CONNECTOR	1
27-29		I3500-08040-1G	SCREW PAN	2
27-30		I5616-08200	NUTFLANGE CHECK	2
27-31		E3208-9UB0-0000	RUBBER	1

## 28.ELECTRICAL EQUIPMENT



ITEM	AVAIL	PART NO.	NAME	QTY
28			ELECTRICAL EQUIPMENT	
28-1		C2100-9UB0-0000	HARNESS WIRE	1
28-1-1		C2010-9UA0-0000	FUSE (7.5A)	2
28-1-2		C2010-GJA0-0000	FUSE(10A)	2
28-2		C1500-9FA0-0000	BATTERY	1
28-3		C2102-9KA0-0000	EARTH CABLE	1
28-4		I3401-05020-07	BOLT, HEX.	1
28-5		C0510-V30-0000	COIL COMP IGN	1
28-6		C0410-A26-7000	CDI UNIT COMP	1
28-7		C1600-B00-9000	RECTIFIER & REGULATOR	1
28-8		I0149-06016	FLANGE BOLT, HEX.	2
28-9		I0153-06012	SCREW	1
28-10		C585A-LRA0-0000	REALY ASSY, START	1
28-10-1		C5850-LRA0-0000	START RELAY	1
28-10-2		C2101-LRA0-0000	POSITIVE CABTE	1
28-11		C1501-9FA0-0000	FOAM STICK, BATTERY	2
28-12	N	C5300-9UA0-0000	SHIFT SWITCH	1
28-12-1		C5301-9UA0-0000	SWITCH BAR	1
28-12-2		C5302-9UA0-0000	DUST COVER	1
28-12-3		C5303-9UA0-0000	ROUND NUT	1
28-12-4		C5304-9UA0-0000	HEX NUT	1
28-12-5		C5305-9UA0-0000	SWITCH BODY	1
28-13		C8110-5EE0-0000	HORN	1
28-14		I8556-06012	SCREW PAN	1
28-15		C5010-9UB0-0000	MAIN SWITCH	1
28-15-1		C5013-9UB0-0000	MATERIAL KEY(RIGHT CUT)	1
28-15-2		C5015-9UB0-0000	MATERIAL KEY(LEFT CUT)	1
28-16		C1802-FIB0-0000	POWER SUPPLY	2
28-17		C2103-9UB0-0000	WIRE	1
28-18		C7200-9UA0-0000	SPEEDOMETER COMP	1
28-18-1		C7201-9UA0-0000	SPEEDOMETER	1
28-18-2		C7207-FIC0-9000	METER SENSOR	1
28-18-3		I3500-03010-0J	SCREW PAN	2
28-18-4		I4104-06510	WASHER	2
28-18-5		I4050-06060-0N	NUT FLANGE	2

## 29.PACKING CASE,EXTERNAL



ITEM	AVAIL	PART NO.	NAME	QTY
29			PACKING CASEEXTERNAL	
29-1		H9500-9UB0-0000	PACKING CASE,EXTERNAL	1
29-2		H9020-9UA0-0000	TOOL SET	1
29-3		H9021-9FA0-0000	WIRE CLAMP	1
29-4		H990A-9UB0-0000	OWNER'S MANUAL ASSY	1
29-5		H9022-5EA0-0000	PRESSURE METER	1
29-6		F4320-9UA0-0000	STEP FLOOR	1
29-7		H9910-9UB0-0000	CONSUMER HANG TAP	1

ITEM	AVAIL	PART NO.	NAME	QTY
30			ACCESSORIES	
30-1		H1260-9UA0-0000	BOX, ICE	1
30-2		C210A-9UA0-0000	ROMOTE CONTROL SAFETY SWITCH ASSY.	1