

PARTS CATALOGUE

VIPER ST 50 EXL-50



CONTENTS

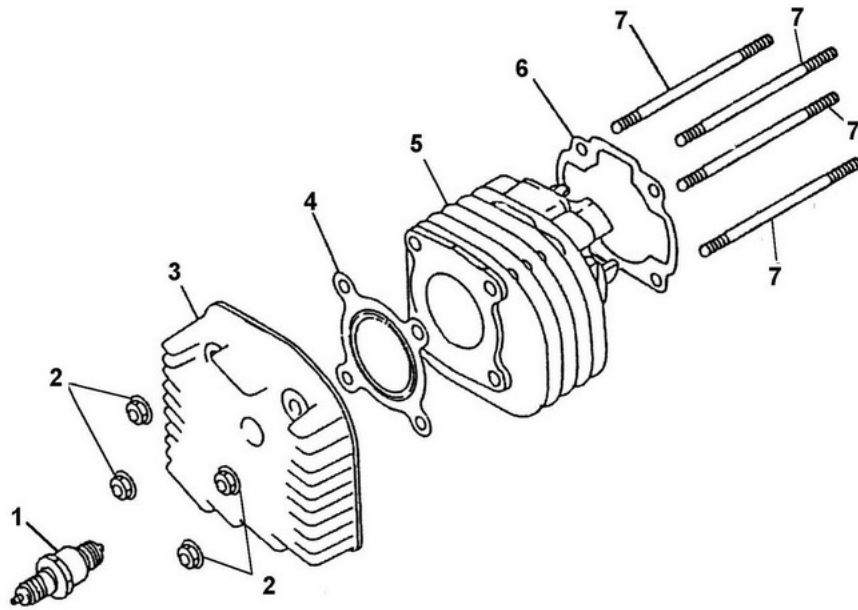
PARTS ITEM:

- 01 CYLINDERHEAD
- 02 CRANK SHAFTPISTON
- 03 FAN COVERAIR SHROUD
- 04 AIR CLEANERREED VALVECARBURETOR
- 05 CRANK CASECOVEROIL PUMP
- 06 TRANSMISSION
- 07 KICK SHAFT ASSYSTARTER CLUTCH ASSY
- 08 DRIVEN PULLEY (CVT)
- 09 ENGINE
- 10 GENERATORSTART MOTOR
- 14 MUFFLER
- 15 FRAME
- 16 FENDER
- 17 SWING ARM
- 18 SEAT
- 19 FUEL TANK
- 20 SUSPENSION
- 21 FRONT WHEEL
- 22 REAR WHEEL
- 23 FRONT BRAKE SYSTEM
- 24 REAR BRAKE SYSTEM
- 25 HANDLE BAR
- 26 BUMPER, FOOTREST
- 27 REAR WHEEL AXLE
- 28 STEERING
- 29 ELECTRICAL EQUIPMENT
- 30 PACKING CASE,EXTERNAL

- 31 OPIIONAL
- 32 OPTIONAL
- 33 OPTIONAL

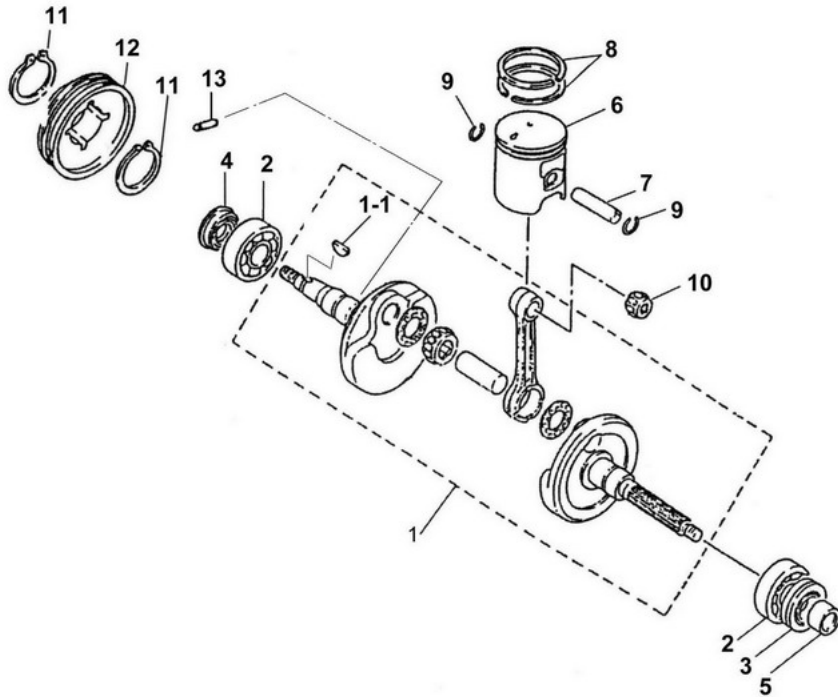
N & sign meaning: not available to sale

1. CYLINDER & HEAD



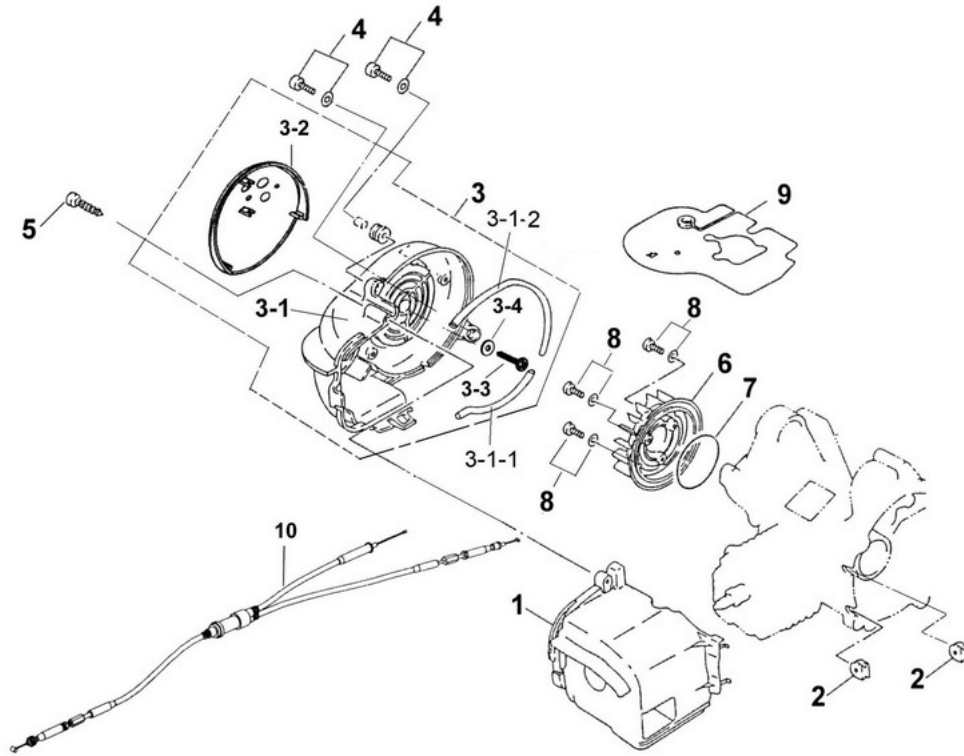
ITEM	AVAIL	PART NO.	NAME	QTY
01			CYLINDERHEAD	
01-1		I8000-B00-0000	SPARK PLUG	1
01-2		I4050-07070-0H	NUT FLANGE	4
01-3		A2200-B02-0000	HEAD CYLINDER	1
01-4		A2251-B02-0000	GASKET CYLINDER HEAD	1
01-5		A2100-B02-0000	CYLINDER	1
01-6		A2191-B02-0000	GASKET CYLINDER	1
01-7		I0031-07109-0H	STUD BOLT	4

2. CRANK SHAFT \ PISTON



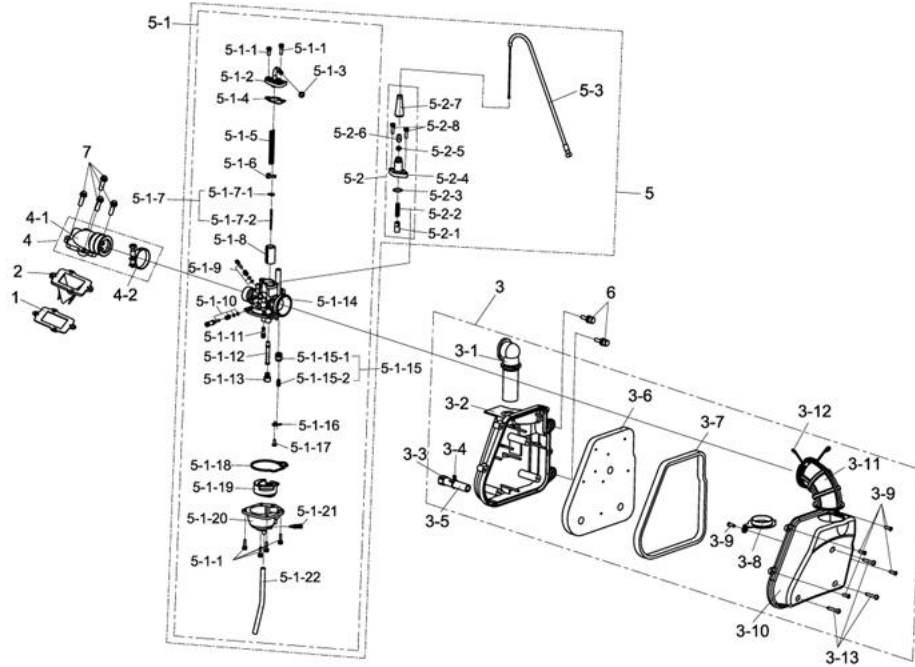
ITEM	AVAIL	PART NO.	NAME	QTY
02			CRANK SHAFTPISTON	
02-1		A3000-B02-9001	CRANKSHAFT COMP	1
02-1-1		I4401-13050	WOODRUFF KEY	1
02-2		I6100-62044-10	BEARING, BALL, RADIAL	2
02-3		I1202-B00-0000	OIL SEAL	1
02-4		I1201-B00-0000	OIL SEAL	1
02-5		B8117-B02-0000	BOSS	1
02-6		A3101-B02-0000	PISTON	1
02-7		A3111-B02-0000	PIN PISTON	1
02-8		A3011-B02-0000	PISTON RING SET	1
02-9		I4601-B02-0000	CLIP, PISTON PIN	2
02-10		I1100-1014125	BEARING, NEEDLE	1
02-11		I4510-19000	CIRCLIP EX	2
02-12		A5131-B00-0000	GEAR PUMP DRIVE	1
02-13		I4303-03118	KNOCK PIN	1

3. FAN COVER 、AIR SHROUD



ITEM	AVAIL	PART NO.	NAME	QTY
03			FAN COVERAIR SHROUD	
03-1		A9620-B02-0000	CYLINDER COVER	1
03-2		A1207-B00-0000	GROMMET	2
03-3		A961A-B00-0000	COVER FAN COMP	1
03-3-1		A9610-B00-0000	COVER COMP FAN	1
03-3-1-1		A9617-B00-0000	SEAL SHROUD 1	1
03-3-1-2		A9618-B00-0000	SEAL SHROUD 2	1
03-3-2		A9616-B00-0000	CAP FAN COVER	1
03-3-3		I3903-416B0	TRUSS	1
03-3-4		I4104-05316	WASHER	1
03-4		I3891-06020-0C	SCREW WASHER	2
03-5		I3901-240C0	SCREW TAPPING	1
03-6		A9510-B02-0000	FAN COMP COOLING	1
03-7		I4608-64431	O-RING	1
03-8		I3893-06016-0H	SCREW WASHER	3
03-9		H0153-B00-0000	DEFLECTOR	1
03-10		A7910-9FA0-0000	CABLE ASSY THROT	1

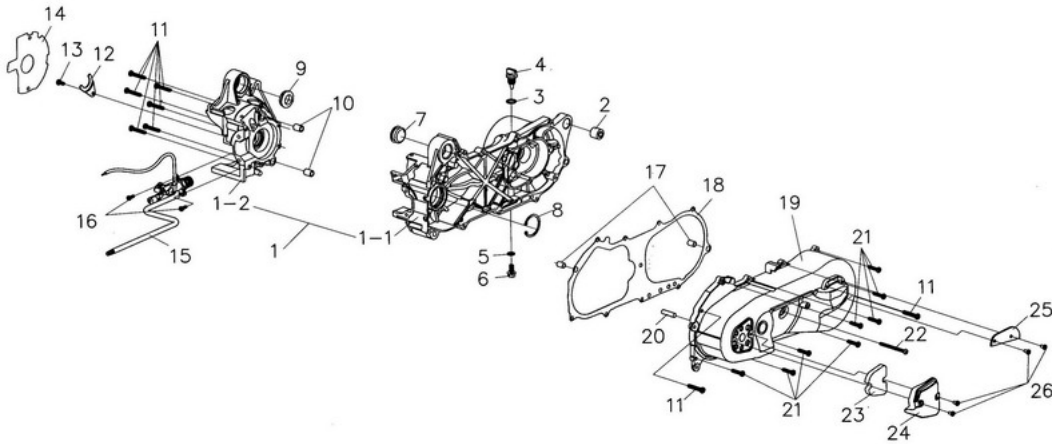
4.AIR CLEANER · REED VALVE · CARBURETOR



ITEM	AVAIL	PART NO.	NAME	QTY
04			AIR CLEANER REED VALVE CARBURETOR	
04-1		A6201-B00-0000	GASKET VALVE SEAT	1
04-2		A410A-B00-0000	REED VALVE ASSY	1
04-3		A720A-B00-7000	AIR CLEANER ASSY	1
04-3-1		A7257-B00-7000	DUCT	1
04-3-2		A7230-B00-0000	CASE AIR/C	1
04-3-3		A7232-B00-0000	CAP	1
04-3-4		I5002-12312	TUBE CLIP	1
04-3-5		A7234-B00-0000	TUBE DRAIN	1
04-3-6		A7205-B00-0000	WEB AIR/C	1
04-3-7		A7214-B00-0000	SEAL	1
04-3-8		A7233-B00-0000	PLATE FIXING CONNECTING TUBE	1
04-3-9		I3903-312B0	TRUSS	5
04-3-10		A7231-B00-0000	COVER AIR/C	1
04-3-11		A7253-B00-0000	JOIN PIPE AIR CLEANER	1
04-3-12		I5002-43022	TUBE CLIP	1
04-3-13		I3901-425C0	SCREW TAPPING	3
04-4		A711A-B00-0000	PIPE INLET ASSY	1
04-4-1		A7110-B00-0000	PIPE COMP INLET	1
04-4-2		A7256-B00-0000	BAND CONNECTING TUBE	1
04-5		A610A-B11-0000	CARBURETOR ASSY	1
04-5-1		A6100-B02-0001	CARBURETOR COMP	1
04-5-1-1		I3895-04012-0H	BOLT WASHER	6
04-5-1-2		A6102-B00-0000-M1	CARBURETOR COVER	1
04-5-1-3		A6112-B00-0000-M1	NUT HEX	1
04-5-1-4		A6103-B00-0000-M1	CARBURETOR COVER WASHER	1
04-5-1-5		KAC31810-M1	SPRING, THROTTLE VALVE	1
04-5-1-6		KAC30310-M1	V CLIP	1
04-5-1-7		KAB90220-M1	JET NEEDLE COMP.	1
04-5-1-7-1		KAC30222-M1	E CLIP	1
04-5-1-7-2		KAB90221-M1	JET NEEDLE	1
04-5-1-8		KAC30110-M1	THROTTLE VALVE	1
04-5-1-9		A6105-B00-0000-M1	AIR SCREW	1
04-5-1-10		KAC30840-M1	ADJUSTING SCREW	1
04-5-1-11		KAC31510-M1	SLOW JET (*17.5)	1
04-5-1-12		KAB30610-M1	NEEDLE JET	1
04-5-1-13		KAC30410-M1	MAIN JET # 85	1
04-5-1-14		A6104-B00-0000-M1	CARBURETOR BODY	1

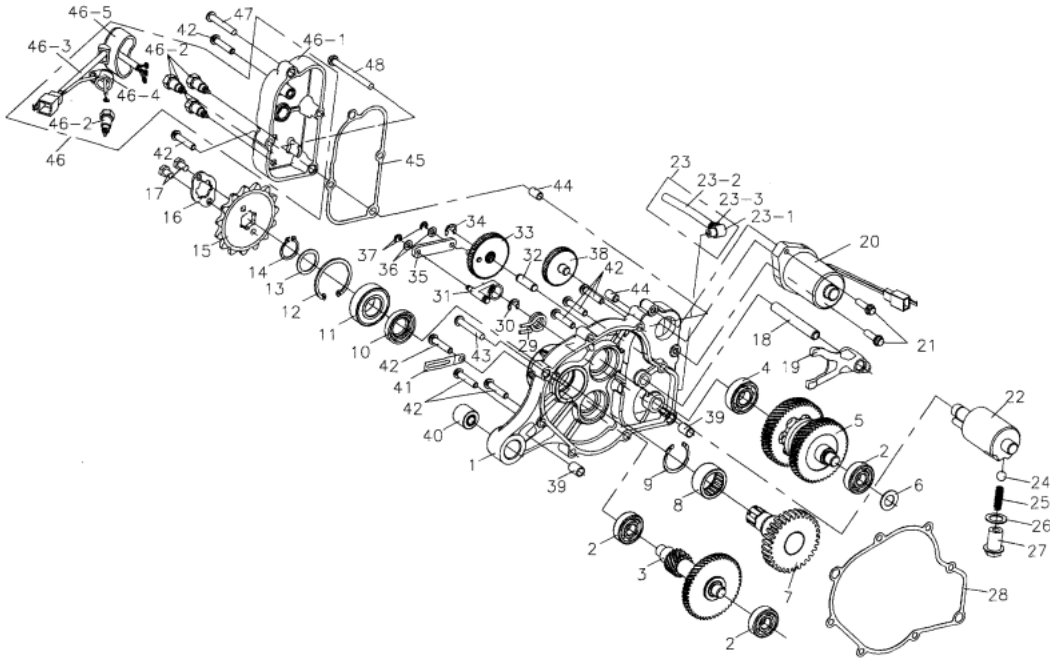
04-5-1-15		A0001-B00-0000-M1	NEEDLE VALVE SEAT COMP	1
04-5-1-15-1		A6119-B00-0000-M1	NEEDLE VALVE SEAT	1
04-5-1-15-2		KAC31120-M1	NEEDLE VALVE ASSY.	1
04-5-1-16		A6120-B00-0000-M1	PLATE FIXING	1
04-5-1-17		A6115-B00-0000-M1	BOLT	1
04-5-1-18		KAC30910-M1	CHAMBER GASKET	1
04-5-1-19		KAC31210-M1	FLOAT ASSY	1
04-5-1-20		A6108-B00-0000-M1	CARBURETOR CHAMBER	1
04-5-1-21		KAC31410-M1	DRAIN SCREW	1
04-5-1-22		A6106-B00-0000-M1	RUBBER TUBE	1
04-5-2		A6110-B02-0000	MANUAL CHOKE COMP	1
04-5-2-1		A6153-B00-0000	MANUAL CHOKE VALVE	1
04-5-2-2		A6152-B00-0000	SPRING	1
04-5-2-3		A6113-B00-0000	O-RING	1
04-5-2-4		A6154-B00-0000	MANUAL CHOKE VALVE SEAT	1
04-5-2-5		A6157-B03-0000	NUT,HEXANGE	1
04-5-2-6		A6151-B00-0000	ADJUST SCREW	1
04-5-2-7		A6155-B00-0000	JACKET	1
04-5-2-8		A6114-B00-0000	BOLT WASHER	2
04-5-3		A7920-B11-0000	CABLE, AIR CUT	1
04-6		I6706-06020-0C	SCREW WASHER	2
04-7		I6001-06020-0H	FLANGE BOLT, HEX.	4

5. CRANK CASE 、 COVER 、 OIL PUMP



ITEM	AVAIL	PART NO.	NAME	QTY
05			CRANK CASECOVEROIL PUMP	
05-1		A1000-B09-0000	CRANK CASE COMP	1
05-1-1	N	A1200-B09-0900	CRANK CASE LEFT	1
05-1-2	N	A1100-B09-0900	CRANK CASE RIGHT	1
05-2		A1203-B00-0000	RUBBER BUSH RR CUSHION	1
05-3		I4608-13825	O-RING	1
05-4		A5651-B00-0000	PLUG, OIL	1
05-5		I4104-08015	WASHER	1
05-6		I5701-08016-0H	BOLT FLANGE	1
05-7		A1205-B00-0000	RUBBER CAP LEFT	1
05-8		I4520-42000	CIRCLIP IN	1
05-9		A1105-B00-0000	CAP RUBBER R	1
05-10		I4301-12160	KNOCK PIN	2
05-11		I3500-06035-0A	SCREW PAN	8
05-12		A1121-B00-0000	HOLDER	1
05-13		I3500-06012-0A	SCREW, PAN	1
05-14		A1393-B00-0000	GASKET R CRANK CASE	1
05-15		A510A-B02-9000	PUMP ASSY OIL	1
05-16		I3500-05014-0A	SCREW PAN HEAD	2
05-17		I4301-10140	KNOCK PIN	2
05-18		A1395-B00-0000	GASKET L COVER	1
05-19		A1341-B02-0000	COVER L SIDE	1
05-20		A1342-B00-0000	SHAFT	1
05-21		I3500-06025-0A	SCREW PAN	8
05-22		I3500-06065-0A	SCREW PAN	1
05-23		A1362-B02-0000	ELEMENT	1
05-24		A1363-B02-0000	COVER ELEMENT	1
05-25		A1364-B02-0000	PLATE	1
05-26		I3500-05008-0G	SCREW PAN HEAD	4

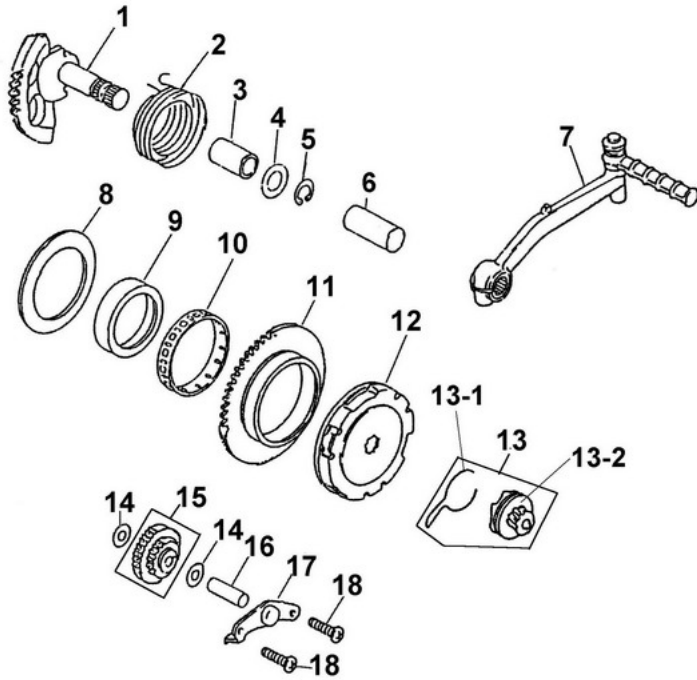
6. TRANSMISSION



ITEM	AVAIL	PART NO.	NAME	QTY
06			TRANSMISSION	
06-1		B1300-B07-0900	MISSION COVER	1
06-2		I6100-62013-10	BEARING, BALL, RADIAL	3
06-3		B3250-B07-0000	REVERSE SHAFT COMP	1
06-4		I6100-62020	BEARING, BALL, RADIAL	1
06-5		B3420-B07-0000	COUNTER SHAFT COMP	1
06-6		I4104-12310	WASHER	1
06-7		B3430-B07-0000	FINAL SHAFT COMP	1
06-8		I1130-253316	BEARING, NEEDLE	1
06-9		I4530-32000	CIRCLIP	1
06-10		I1204-B00-0000	OIL SEAL	1
06-11		I6150-60040-10	BEARING, BALL, RADIAL	1
06-12		I4520-42000	CIRCLIP IN	1
06-13		I4104-20210	WASHER	1
06-14		I4510-20000	CIRCLIP EX	1
06-15		B3801-B00-9000	DRIVE CHAIN SPROCKET	1
06-16		B3811-A00-0000	PLATE FIXING	1
06-17		I2201-06010-0H	BOLT, HEX.	2
06-18		B4241-B07-0000	SHAFT GEAR SHIFT	1
06-19		B4231-B07-0000	FORK	1
06-20		C2300-B07-0000	MOTOR COMP SHIFT	1
06-21		I6001-06020-0H	FLANGE BOLT, HEX.	2
06-22		B4300-B07-0000	DRUM COMP GEAR SHIFT	1
06-23		A1220-B00-0000	BREATHER COMP	1
06-23-1	N	A1206-B00-0000	BREATHER JOINT	1
06-23-2	N	A1221-B00-0000	HOSE, BREATHER	1
06-23-3		I5002-06008	TUBE CLIP	1
06-24		B4307-V30-0000	BALL BEARING	1
06-25		B4306-V30-0000	SPRING FIXING	1
06-26		I4104-14210	WASHER	1
06-27		B4305-B07-0000	SCREW FIXING	1
06-28		B1395-B07-0000	GASKET MISSION COVER	1
06-29		B4303-B07-0000	SPRING GEAR SHAFT RETURN	1
06-30		I4540-1001G	CIRCLIP	1
06-31		B4600-B07-0000	DRIVEN ARM	1
06-32		B4463-B07-0000	SHAFT GEAR B	1
06-33		B4460-B07-0000	GEAR B COMP	1
06-34		I4540-0701G	CIRCLIP	1
06-35		B4500-B07-0000	CONNECT PLATE	1

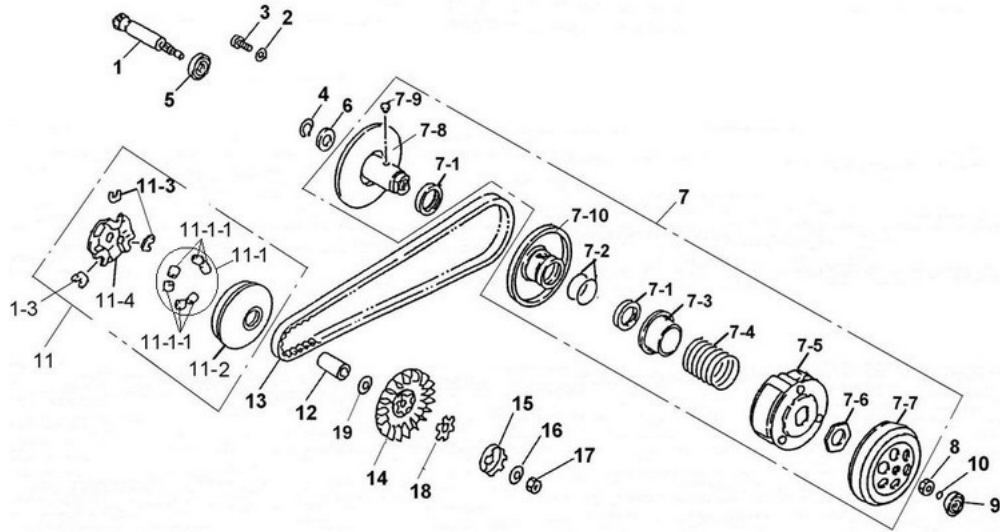
06-36		I4101-05210	WASHER	2
06-37		I4540-0401A	CIRCLIP	2
06-38		B4450-B07-0000	GEAR A COMP	1
06-39		I4301-10140	KNOCK PIN	2
06-40		A1203-B00-0000	RUBBER BUSH RR CUSHION	1
06-41		C2963-A09-0000	CLAMPER PULSER CORD	1
06-42		I3500-06030-0A	SCREW PAN	8
06-43		I3500-06040-0A	SCREW PAN	1
06-44		I4301-08140	KNOCK PIN	2
06-45		B1396-B07-0000	GASKET MISSION SIDE COVER	1
06-46		B132A-B07-0000	SIDE COVER MISSION	1
06-46-1		B1320-B07-0900	SIDE COVER MISSION	1
06-46-2		C5750-B07-0000	SENSOR, SHIFT	4
06-46-3		C5760-B07-0000	SHIFT SWITCH LINE	1
06-46-4		B1321-B07-0000	DUST COVER A	1
06-46-5		B1322-B07-0000	DUST COVER B	1
06-47		I3500-06035-0A	SCREW PAN	1
06-48		I3500-06065-0A	SCREW PAN	1

7. KICK SHAFT ASSY · STARTER CLUTCH ASSY



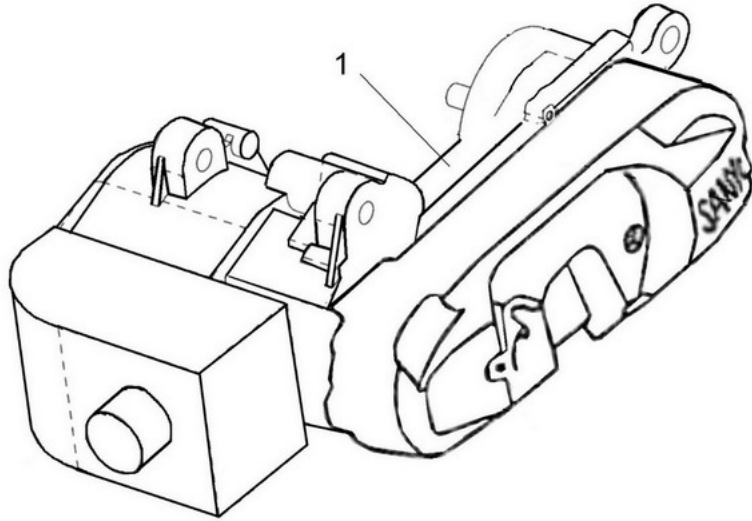
ITEM	AVAIL	PART NO.	NAME	QTY
07			KICK SHAFT ASSY STARTER CLUTCH ASSY	
07-1		B8250-B00-9000	SPINDLE COMP KICK START	1
07-2		B8281-B00-0000	SPRING KICK RETURN	1
07-3		B8254-B00-0000	BOSS KICK SPINDLE	1
07-4		I4104-15010	WASHER	1
07-5		I4510-15000	CIRCLIP EX	1
07-6		A1000-5EA0-9000	RUBBER CAP KICK SHAFT	1
07-7		B8300-B00-9001	ARM COMP KICK STARTER	1
07-8		I4104-55506	WASHER	1
07-9		B8115-B00-0000	BOSS GEAR	1
07-10		I1100-555913	BRARING, NEEDLE	1
07-11		B8110-B02-0000	GEAR COMP STARTING CLUTCH	1
07-12		B8120-B02-0000	OUTER COMP ST CLUTCH	1
07-13		B823A-B00-0000	GEAR ASSY STARTER IDLE	1
07-13-1		B8223-B00-0000	SPG KICK DRIVEN GEAR	1
07-13-2		B8230-B00-0000	GEAR COMP KICK DRIVEN	1
07-14		I4104-08218	WASHER	2
07-15		B8100-B02-0000	GEAR COMP STARTER REDUCTION	1
07-16		B8102-B02-0000	SHAFT START REDUCTION	1
07-17		B8105-B00-0000	PLATE START REDUCTION	1
07-18		I3892-06014-0H	SCREW, PAN	2

8. DRIVEN PULLEY (CVT)



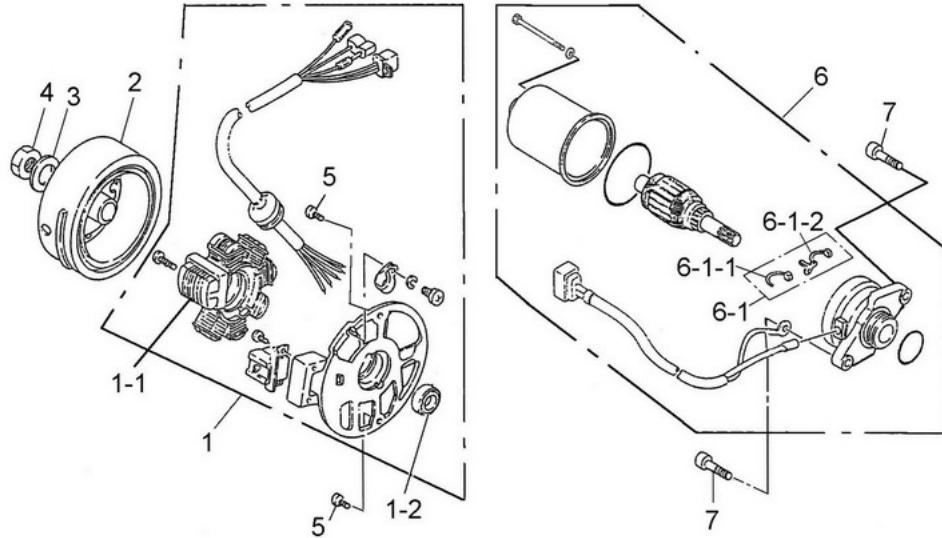
ITEM	AVAIL	PART NO.	NAME	QTY
08			DRIVEN PULLEY (CVT)	
08-1		B3411-B07-0000	SHAFT DRIVE	1
08-2		I4104-06512A	WASHER	1
08-3		I3500-06010-0A	SCREW, PAN	1
08-4		I4510-17000	CIRCLIP EX	1
08-5		I6100-60030	BEARING, BALL, RADIAL	1
08-6		I1203-B00-0000	OIL SEAL	1
08-7		B301A-B02-9000	PULLEY ASSY DRIVEN	1
08-7-1		I1211-B00-0000	OIL SEAL	2
08-7-2		I4608-36719	O-RING	2
08-7-3		B3237-B00-0000	COLLAR SEAL	1
08-7-4		B3233-B02-0000	SPG DRIVEN FACE	1
08-7-5		B2300-B02-9000	PLATE COMP DRIVE	1
08-7-6		I4002-281A0	NUT HEX	1
08-7-7		B2101-B00-0000	OUTER CLUTCH	1
08-7-8		B3210-B00-0000	FACE COMP DRIVEN	1
08-7-9		B3225-B00-0000	PIN GUIDE	2
08-7-10		B3220-B00-0000	FACE COMP MOVABLE DRIVE	1
08-8		I4050-10080-0H	NUT FLANGE	1
08-9		I6130-60380-10	BEARING, BALL, RADIAL	1
08-10		I4608-64531	O-RING	1
08-11		B211A-B02-0000	FACE ASSY MOVABLE DRIVE	1
08-11-1		A0001-B02-0000	ROLLER COMP WEIGHT	1
08-11-1-1		B2121-B02-0000	ROLLER COMP WEIGHT	6
08-11-2		B2110-B02-0000	FACE COMP MOVABLE DRIVE	1
08-11-3		B2132-B00-0000	PIECE SLIDE	3
08-11-4		B2131-B02-0000	PLATE RAMP	1
08-12		B2105-B02-0000	BOSS DRIVE FACE	1
08-13		B3100-B00-0000	BELT DRIVE	1
08-14		B2102-B02-0000	FACE DRIVE	1
08-15		B8211-B02-0000	CLUTCH ONEWAY	1
08-16		I700W-10126	SPOKE NIPPLE WASHER	1
08-17		I4001-100C0	NUT HEX	1
08-18		B2103-B02-0000	WASHER DRIVE FACE	1
08-19		I4104-13010	WASHER	1

9. ENGINE



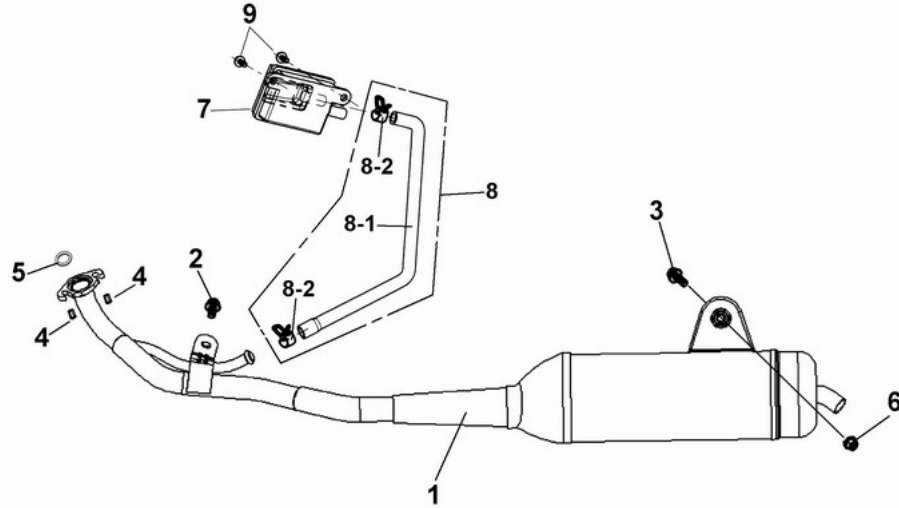
ITEM	AVAIL	PART NO.	NAME	QTY
09			ENGINE	
09-1		AB000-B11-0000	ENGINE	1

10. GENERATOR \ START MOTOR



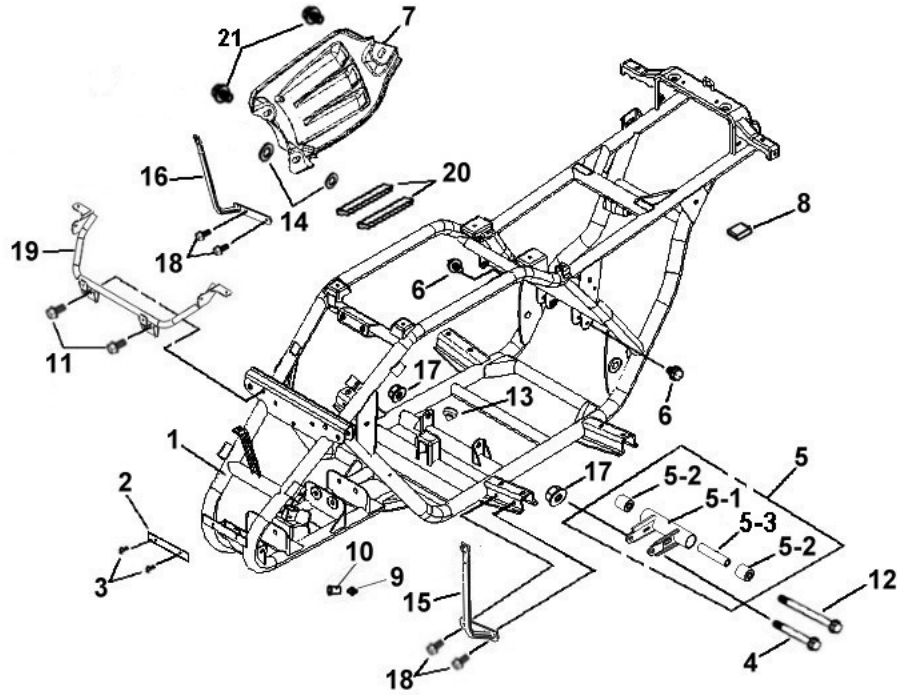
ITEM	AVAIL	PART NO.	NAME	QTY
10			GENERATORSTART MOTOR	
10-1		C1120-B00-0000	STATOR COMP	1
10-1-1	N	C1121-B00-0000	STATOR	1
10-1-2	N	I1205-B00-0000	OIL SEAL	1
10-2		C1110-B02-0000	FLYWHEEL COMP	1
10-3		I4102-10520	WASHER	1
10-4		I4001-100C0	NUT HEX	1
10-5		I3500-06016-0A	SCREW, PAN	2
10-6		C1200-B02-0000	MOTOR START COMP	1
10-6-1		C1220-B00-0000	CARBON BRUSH COMP	1
10-6-1-1	N	C1221-B00-0000	POSITIVE CARBON BRUSH	1
10-6-1-2	N	C1222-B00-0000	NEGATIVE CARBON BRUSH	1
10-7		I6001-06022-0H	BOLT FLANGE SH	2

14.MUFFLER



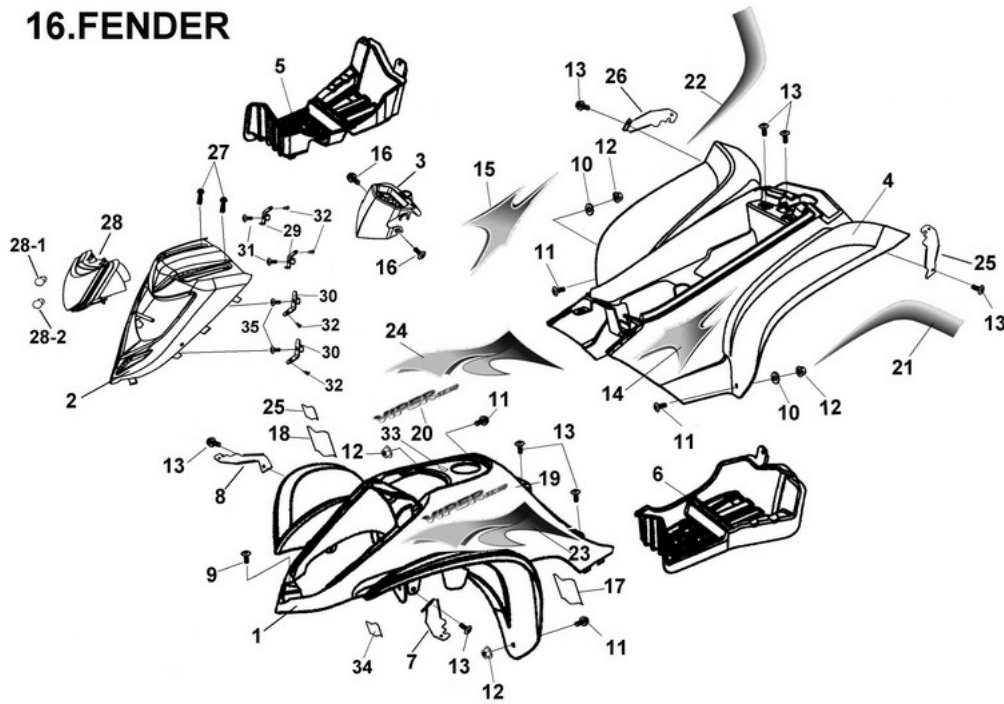
ITEM	AVAIL	PART NO.	NAME	QTY
14			MUFFLER	
14-1		A830A-B11-0000	EXHAUST PIPE ASSY	1
14-2		I5821-08020	FLANGE BOLT, HEX.	1
14-3		I0149-08060	FLANGE BOLT, HEX.	1
14-4		I0149-06810	BOLT ,FLANGE	2
14-5		A8291-5AA0-0000	GASKET (34x25.4x4)	1
14-6		I5611-08200	HEX. FLANGE NUT, SAFETY	1
14-7		A7400-5PA0-0000	AICV COMP.	1
14-7-1		A7402-5PA0-0000	AICV BODY	1
14-7-2		A7403-5PA0-0000	AICV WEB	1
14-7-3		A7404-5PA0-0000	AICV FILTER	1
14-7-4		I3901-314C5	TAPPING SCREW, PAN	2
14-7-5		A7405-5PA0-0000	FIXED PLATE , REED VALVE	1
14-7-6		A7406-5PA0-0000	REED VALVE	1
14-7-7		A7407-5PA0-0000	SEAL	1
14-7-8		A7408-5PA0-0000	CAP, AICV	1
14-7-9		I3901-425C5	TAPPING SCREW ,PAN	2
14-8		A7420-5IT0-0000	CONNECTING TUBE COMP	1
14-8-1		A7421-5IT0-0000	CONNECTING TUBE	1
14-8-2		A7422-5PA0-0000	CLAMP, TUBE	2
14-9		I7701-50016	SCREW, TAPPING	2

15.FRAME



ITEM	AVAIL	PART NO.	NAME	QTY
15			FRAME	
15-1		E0100-5IT0-0000	FRAME COMP	1
15-2		H7501-5IK0-0000	FRAME NUMBER PLATE	1
15-3		H750A-5BA1-0000	NAIL, PULL	2
15-4		E0352-5EA0-0000	ENGINE SET BOLT(M10x85)	1
15-5		E035A-5IT0-0000	ENGINE SUSPENSION COMP	1
15-5-1		E0350-5IT0-0000	ENGINE SUSPENSION	1
15-5-2		E0201-5EA0-0000	BUSH	2
15-5-3		E0360-9KA0-0000	COLLAR	1
15-6		I0149-08036-01	BOLT,FLANGE	2
15-7		D0103-5IT0-0000	FRONT DRIVE CHAIN COVER	1
15-8		G7223-5EB0-0000	RUBBER PAD	1
15-9		I6600-06000	GREASE VALVE	1
15-10		E0209-5EA0-9000	CAP, GREASE VALVE	1
15-11		I0149-08016	FLANGE BOLT, HEX.	2
15-12		I2502-10165-6C	FLANGE BOLT, HEX	1
15-13		G7232-9FA0-0000	PLUG RUBBER	1
15-14		A8304-5IT0-0000	GASKET HEAT INSULATOR	2
15-15		E0107-FID0-0000	LEFT, FIXED PLATE, FRONT FENDER	1
15-16		E0108-FID0-0000	RIGHT, FIXED PLATE, FRONT FENDER	1
15-17		I5612-10200	HEX. FLANGE NUT, SAFETY	2
15-18		I0149-06012	FLANGE BOLT, HEX.	4
15-19		E0105-FID0-0000	FIXED PLATE, FRONT FENDER	1
15-20		A7509-FID0-0000	LH. BACK MIRROR ASSY	2
15-21		I5821-08020	FLANGE BOLT, HEX.	2

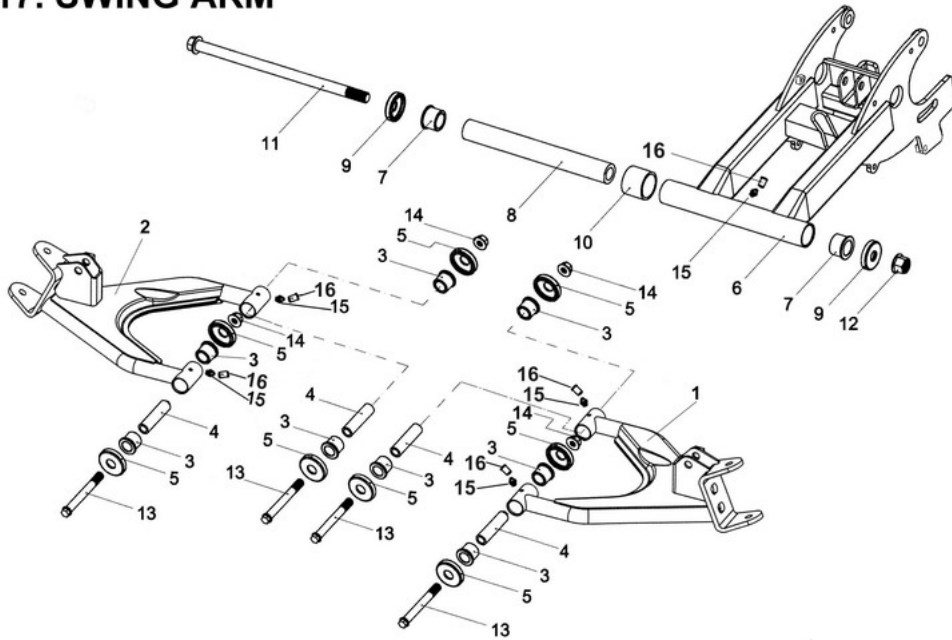
16.FENDER



ITEM	AVAIL	PART NO.	NAME	QTY
16			FENDER	
16-1		F4300-FID0-0800	FRONT FENDER (BLACK)	1
16-1		F4300-FID0-1100	FRONT FENDER (YELLOW)	1
16-1		F4300-FID0-5400	FRONT FENDER (BLUE)	1
16-2		F4301-FIE0-1100	FRONT CENTRAL COVER(YELLOW)	1
16-2		F4301-FIE0-0700	FRONT CENTRAL COVER(SILVER)	1
16-2		F4301-FIE0-5400	FRONT CENTRAL COVER(BLUE)	1
16-3		E3205-FIE0-0800	COVER,HANDLE BAR UP(BLACK)	1
16-3		E3205-FIE0-1100	COVER,HANDLE BAR UP(YELLOW)	1
16-3		E3205-FIE0-5400	COVER,HANDLE BAR UP(BLUE)	1
16-4		H3500-FID0-0800	REAR FENDER(BLACK)	1
16-4		H3500-FID0-1100	REAR FENDER(YELLOW)	1
16-4		H3500-FID0-5400	REAR FENDER(BLUE)	1
16-5		H3620-FID0-0800	FOOTREST, RIGHT	1
16-6		H3520-FID0-0800	FOOTREST, LEFT	1
16-7		C3104-FIE0-0000	PLATE LEFT FRONT DIRECTION	1
16-8		C3105-FIE0-0000	PLATE RIGHT FRONT DIRECTION	1
16-9		I0119-06802	BOLT, HEX.	1
16-10		I4104-06515	WASHER	2
16-11		I0149-06823-01	BOLT,FLANGE(M6x23)	4
16-12		I5611-06200-0G	HEX. FLANGE NUT, SAFETY	4
16-13		I0119-06821	BOLT, HEX.	8
16-14		H7128-FID0-4200	STICKER,REAR BODY (RED)(L)	1
16-14		H7128-FID0-0700	STICKER,REAR BODY (SILVER)(L)	1
16-14		H7128-FID0-1100	STICKER,REAR BODY (YELLOW)(L)	1
16-15		H7129-FID0-4200	STICKER,REAR BODY (RED)(R)	1
16-15		H7129-FID0-1100	STICKER,REAR BODY (YELLOW)(R)	1
16-15		H7129-FID0-0700	STICKER,REAR BODY (SILVER)(R)	1
16-16		I8556-06012	SCREW PAN	2
16-17		H7129-9EF0-0000	STICKER,INDICATE GEAR	1
16-18		H7100-5FA0-0000	LABEL TIRE	1
16-19		H7103-5IT0-0000	STICKER, VIPER ST-50 (L)	1
16-20		H7104-5IT0-0000	STICKER, VIPER ST-50 (R)	1
16-21		H7126-FID0-0000	STICKER,REAR FENDER(L)	1

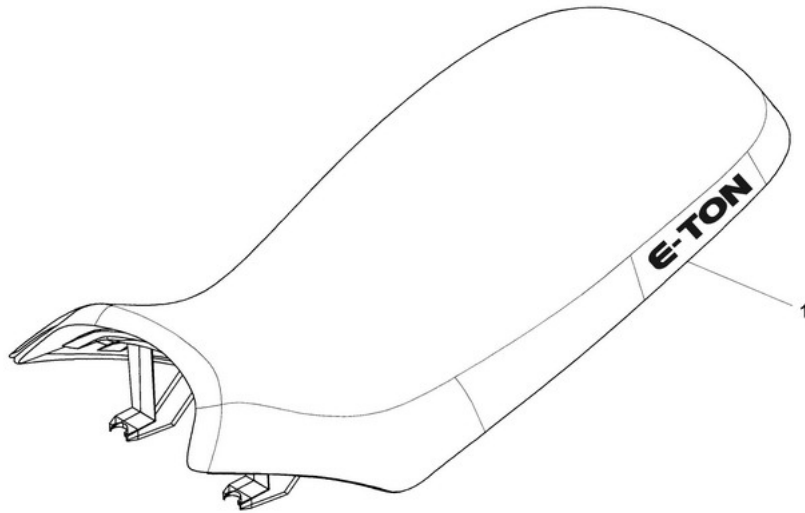
16-22		H7127-FID0-0000	STICKER,REAR FENDER(R)	1
16-23		H7124-FID0-1100	FRONT BODY STICKER (YELLOW)(L)	1
16-23		H7124-FID0-0700	FRONT BODY STICKER (SILVER)(L)	1
16-23		H7124-FID0-4200	FRONT BODY STICKER (RED)(L)	1
16-24		H7125-FID0-0700	FRONT BODY STICKER (SILVER) (R)	1
16-24		H7125-FID0-1100	FRONT BODY STICKER (YELLOW) (R)	1
16-24		H7125-FID0-4200	FRONT BODY STICKER (RED) (R)	1
16-25		C3106-FIGT-0000	PLATE LEFT REAR DIRECTION	1
16-25		C3106-FIE0-0000	PLATE LEFT REAR DIRECTION	1
16-26		C3107-FIGT-0000	PLATE RIGHT REAR DIRECTION	1
16-26		C3107-FIE0-0000	PLATE RIGHT REAR DIRECTION	1
16-27		I8310-FIA0-0000	PLASTIC SCREW	2
16-28		C5030-FIE0-9000	HEAD LIGHT	1
16-28-1		C5031-FIE0-0000	HEAD BULB	1
16-28-2		C5032-FIE0-0000	POSITION LIGHT BULB	1
16-29		E0110-FIE0-0000	HEAD LIG HT HOLDER A	2
16-30		E0111-FIE0-9000	HEAD LIG HT HOLDER B	2
16-31		I8556-06016	SCREW WASHER	2
16-32		I0110-40120	SCREW,TAPPING	4
16-33		H7137-FID0-0000	STICKER, ON"N" SHIFT TO START	1
16-34		H7131-FIB0-0000	STICKER,POWER SUPPLY	1
16-35		I8556-06020	SCREW, PAN HEAD	2

17. SWING ARM



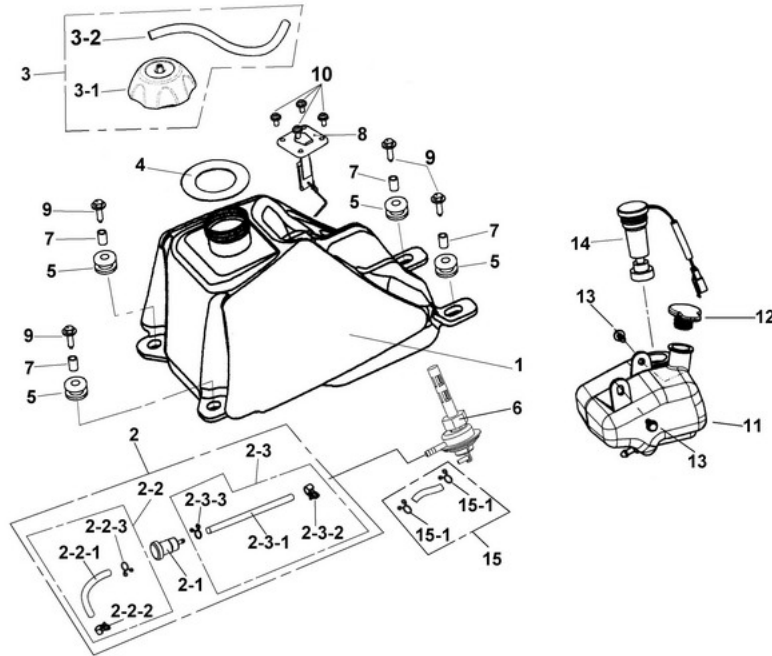
ITEM	AVAIL	PART NO.	NAME	QTY
17			SWING ARM	
17-1		E0200-FIA0-1000	ARM, SUSPENSION, L.H.	1
17-2		E0210-FIA0-1000	ARM, SUSPENSION, R.H.	1
17-3		E0201-FIA0-0000	BUSH, ARM SUSPENSION	8
17-4		E0209-FIA0-0000	SPACER	4
17-5		E2205-4HA0-0000	SWING ARM SEAL COVER (25.4)	8
17-6		E220A-FIB0-9000	SWING ARM SUB ASSY.	1
17-7		E2208-5EA0-0000	SWING ARM OIL LINER	2
17-8		E2209-FIA0-0000	SPACER	1
17-9		E2205-5EA0-0000	OIL SEAL	2
17-10		E2202-FIA0-0000	RUBBER SLEEVE	1
17-11		E2201-FIA0-0000	FLANGE BOLT, HEX.	1
17-12		I5611-14200	HEX. FLANGE NUT, SAFETY	1
17-13		I0149-10080	FLANGE BOLT, HEX.	4
17-14		I5611-10200	HEX. FLANGE NUT, SAFETY	4
17-15		I6600-06000	GREASE VALVE	5
17-16		E0209-5EA0-9000	CAP, GREASE VALVE	5

18. SEAT



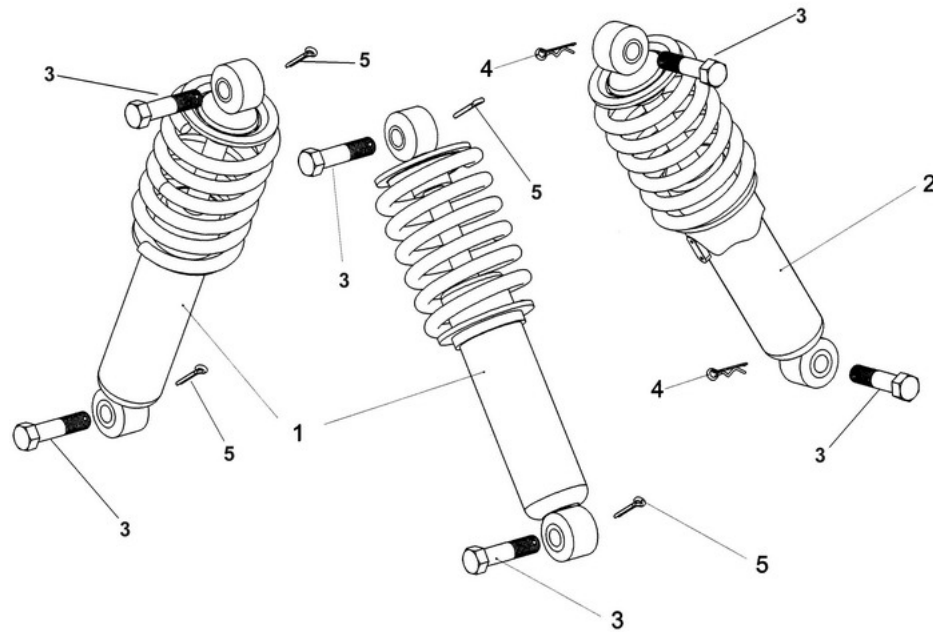
ITEM	AVAIL	PART NO.	NAME	QTY
18			SEAT	
18-1		G7200-FIE0-0700	SEAT ASSY.(SILVER)	1
18-1		G7200-FIE0-1100	SEAT ASSY.(YELLOW)	1
18-1		G7200-FIE0-4200	SEAT ASSY.(RED/BRACK)	1

19. FUEL TANK , OIL TANK



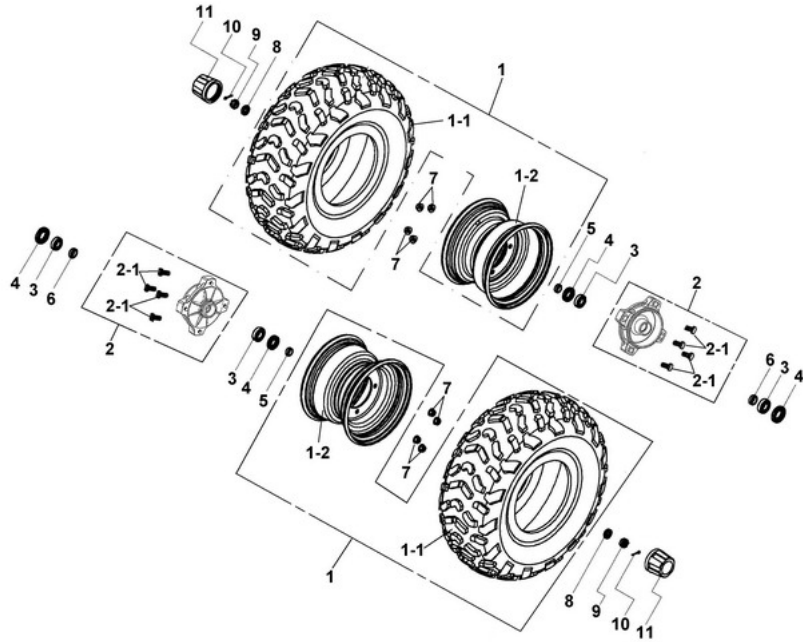
ITEM	AVAIL	PART NO.	NAME	QTY
19			FUEL TANK	
19-1		A7500-FIE0-0001	FUEL TANK COMP	1
19-2		A751A-5IK0-0000	FUEL FILTER ASSY	1
19-2-1		A7519-FIA0-1000	FUEL FILTER	1
19-2-2		A7501-5IK0-0000	FUEL TUBE COMP (A)	1
19-2-2-1		A7506-5IK0-0000	FUEL TUBE (A)	1
19-2-2-2		A7517-FIA0-0000	CLIP	1
19-2-2-3		A7516-5EA0-0000	CLIP(A)	1
19-2-3		A7515-5IT0-0000	FUEL TUBE (B)	1
19-2-3-1		A7507-5IT0-0000	FUEL TUBE (B)	1
19-2-3-2		A7517-FIA0-0000	CLIP	1
19-2-3-3		A7516-5EA0-0000	CLIP(A)	1
19-3		A762A-9FA0-0000	FUEL TANK CAP ASSY.	1
19-3-1		A7620-9FA0-0000	FUEL TANK CAP	1
19-3-2		A7621-9FA0-0000	TUBE, RUBBER	1
19-4		A7622-9FA0-0000	RUBBER PAD, FUEL TANK CAP	1
19-5		A7510-FIA0-0000	FUEL TANK RUBBER PAD	4
19-6		A6701-FIA0-0000	FUEL COCK ASSY.	1
19-7		A7511-FIA0-0000	RUBBER INSULATOR	4
19-8		C780A-FIA0-0000	METER FUEL LEVER	1
19-9		I7507-06225	BOLT, HEX.	4
19-10		I0200-50160	CROSS BOLT, HEX.	4
19-11		E5100-9EF0-0000	OIL TANK	1
19-12		E5105-5EA0-0000	OIL TANK CAP	1
19-13		I0119-06821	BOLT, HEX.	2
19-14		C5410-5EE0-0000	OIL TANK BUOY.	1
19-15		A751B-FIA0-0000	VACUUM TUBE COMP	1
19-15-1		A7518-FIA0-0000	CLIP	2

20. SUSPENSION



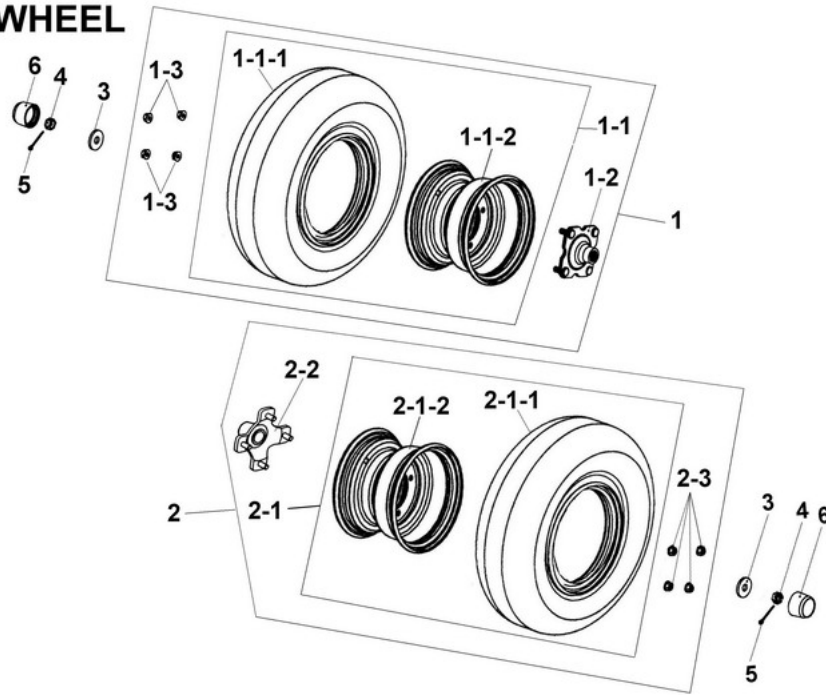
ITEM	AVAIL	PART NO.	NAME	QTY
20			SUSPENSION	
20-1		E1105-5IT0-0100	SUSPENSION, FRONT(YELLOW)	2
20-1		E1105-5IT0-0700	SUSPENSION, FRONT(SILVER)	2
20-2		E2400-FID0-0200	SUSPENSION, REAR(RED)	1
20-3		I0102-10040B	FLANGE BOLT, HEX.	6
20-4		I0468-12006	PIN	2
20-5		I9900-25019	PIN, SPLIT	4

21. FRONT WHEEL



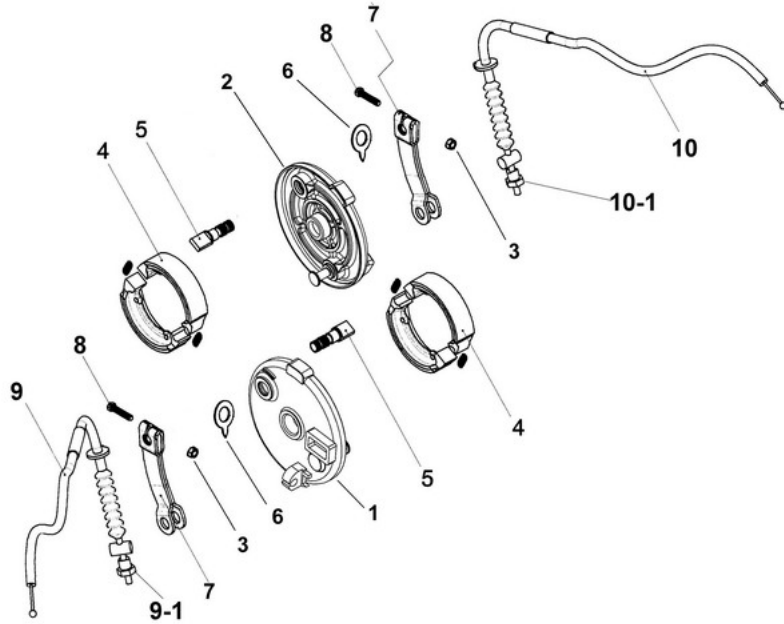
ITEM	AVAIL	PART NO.	NAME	QTY
21			FRONT WHEEL	
21-1		D471A-5IT0-0S00	FRONT WHEEL COMP (OFF ROAD,STEEL 10*5.5")	2
21-1-1		D4710-5IT0-0000	WHEEL TIRE (20*6-10)	2
21-1-2		D4601-FIA0-9S00	WHEEL RIM	2
21-2		D4610-FIA0-9000	BRAKE DRUM, FRONT	2
21-2-1		D4612-9FA0-0000	BOLT,STUD	8
21-3		I6150-60030-10	BEARING, BALL, RADIAL	4
21-4		I1307-24035-10	OIL SEAL	4
21-5		D4621-FIA0-0000	OUTER SPACER	2
21-6		D4620-FIA0-0000	INNER SPACER	2
21-7		D4611-9EA0-0000	FLANGE NUT, HEX.	8
21-8		I9905-14200	WASHER	2
21-9		I5500-14100	CASTLE NUT	2
21-10		I4201-46325	SPLIT PIN	2
21-11		D4609-9FA0-0000	RUBBER CAP	2

22. REAR WHEEL



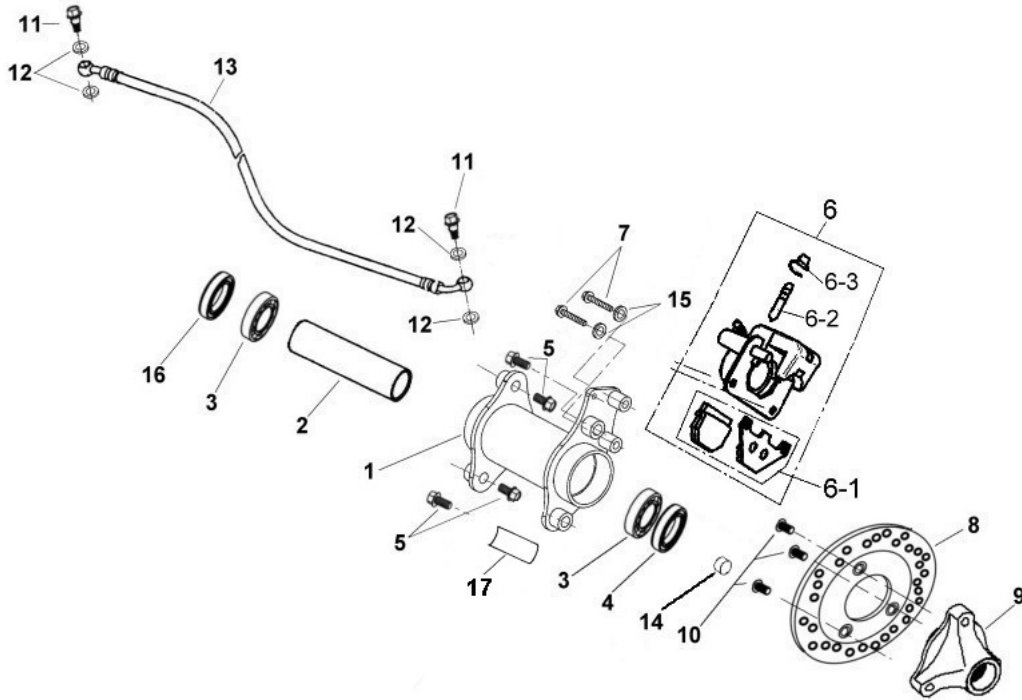
ITEM	AVAIL	PART NO.	NAME	QTY
22			REAR WHEEL	
22-1		D472C-5IT0-0S00	REAR WHELL ASSY,LEFT (OFF ROAD ,STEEL 9*8")	1
22-1-1		D471C-5IT0-0S00	REAR WHEEL COMP,LEFT	1
22-1-1-1		D4720-5IT0-0000	WHEEL TIRE (20*10-9)	1
22-1-1-2		D4602-FID0-0S00	WHEEL RIM	1
22-1-2		D2705-FID0-0000	SHAFT CONNECTER WITH BOLTS	1
22-1-3		D4611-9EA0-0000	FLANGE NUT, HEX.	4
22-2		D472D-5IT0-0S00	REAR WHELL ASSY,RIGHT (OFF ROAD ,STEEL 9*8")	1
22-2-1		D471D-5IT0-0S00	REAR WHEEL COMP,RIGHT	1
22-2-1-1		D4720-5IT0-0000	WHEEL TIRE (20*10-9)	1
22-2-1-2		D4602-FID0-0S00	WHEEL RIM	1
22-2-2		D2705-FID0-0000	SHAFT CONNECTER WITH BOLTS	1
22-2-3		D4611-9EA0-0000	FLANGE NUT, HEX.	4
22-3		D2309-5EA0-0000	WASHER	2
22-4		I4012-140H0	CASTLE NUT	2
22-5		I4201-46325	SPLIT PIN	2
22-6		D4609-5EA0-0001	RUBBER CAP	2

23. FRONT BRAKE



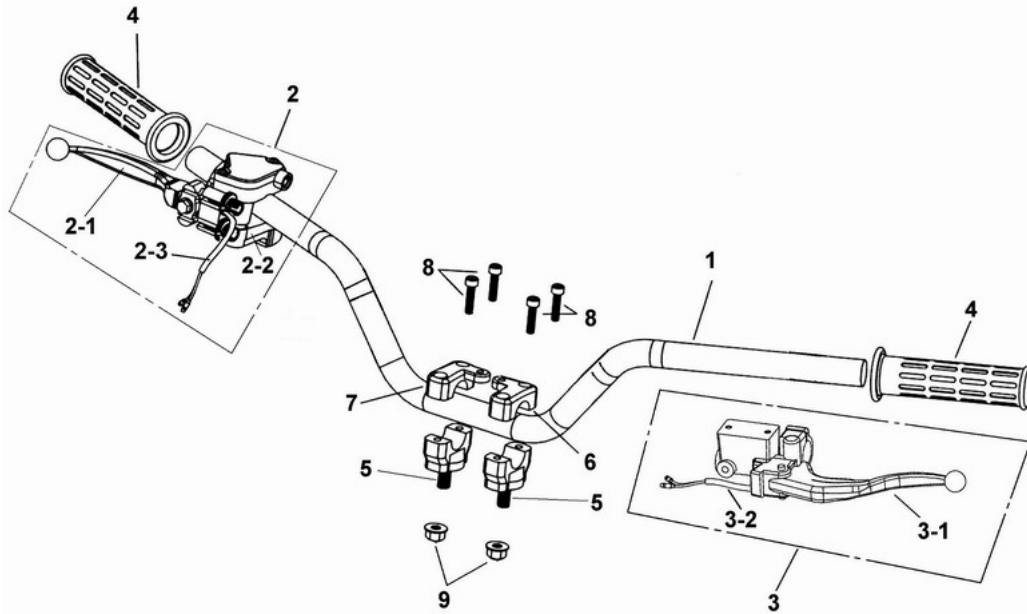
ITEM	AVAIL	PART NO.	NAME	QTY
23			FRONT BRAKE SYSTEM	
23-1		D5351-FIA0-0000	FRONT BRAKE PANEL COMP., LEFT	1
23-2		D5352-FIA0-0000	FRONT BRAKE PANEL COMP., RIGHT	1
23-3		I5707-06500	FLANGE NUT, HEX.	2
23-4		D312A-A04-8000	FRONT BRAKE SHOE COMP. (80)	2
23-5		D5141-FIA0-1000	FRONT BRAKE ARM CAM	2
23-6		D5145-FIA0-0000	BRAKE INDICATOR,FRONT	2
23-7		D5410-FIA0-0000	FRONT BRAKE ARM	2
23-8		I0020-06030	BOLT	2
23-9		E5450-FIA0-1000	CABLE, FRONT BRAKE(LEFT)	1
23-9-1		E5452-FIA0-1000	NUT,ADJUSTING	1
23-10		E5451-FIA0-1000	CABLE, FRONT BRAKE(RIGHT)	1
23-10-1		E5452-FIA0-1000	NUT,ADJUSTING	1

24. REAR BRAKE (HYDRAULIC DISC BRAKE)



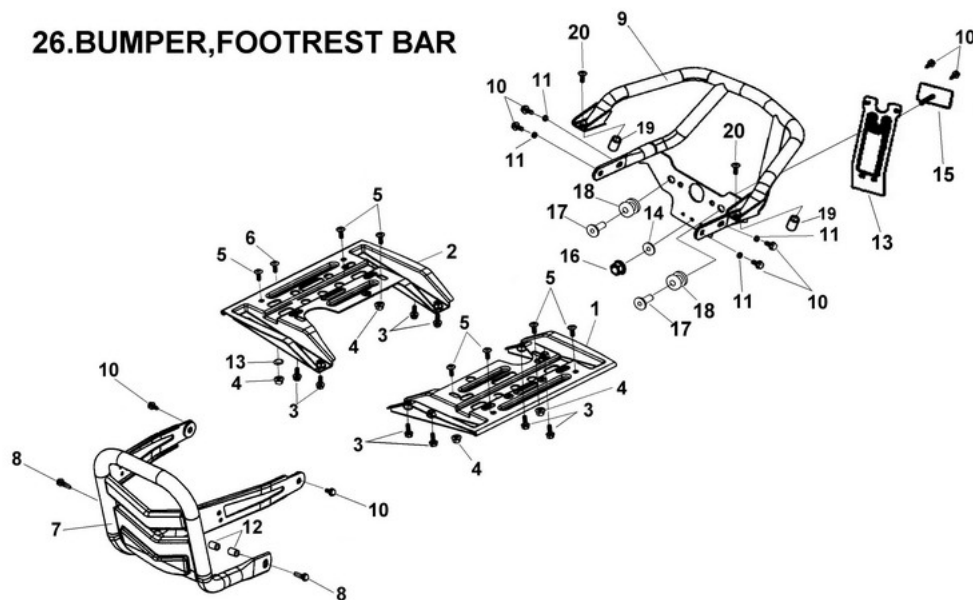
ITEM	AVAIL	PART NO.	NAME	QTY
24			REAR BRAKE SYSTEM	
24-1		D2310-5IT0-0000	BEARING SEAT ASSY., REAR WHEEL AXLE	1
24-2		D2311-FIA0-0000	SPACER	1
24-3		I6100-6007LLU	BEARING	2
24-4		D2315-FIA0-0000	OIL SEAL	1
24-5		I0141-12036-01	FLANGE BOLT, HEX.	4
24-6		G7130-5EE0-0000	BRAKE CALLIPER	1
24-6-1		G7131-5EE0-0000	BRAKE SHOE COMP	1
24-6-2		G7132-5EE0-0000	BOLT LEAKAGE	1
24-6-3		G7133-BCA0-0000	CAP LEAKAGE	1
24-6-4		G7139-5EE0-0000	SPRING, PAO	1
24-6-5		G7134-5EE0-0000	RING, SEAL	1
24-6-6		G7136-5EE0-0000	PISTON, BRAKE CALIPER	1
24-6-7		G7135-5EE0-0000	RING, DUST RESISTANT	1
24-6-8		G71C1-5EE0-0000	BOOT	1
24-6-9		G71C2-5EE0-0000	BOOT	1
24-6-10		G71C3-5EE0-0000	BRACKET, CALLIPER	1
24-7		I0105-08035	BOLT FLANGE	2
24-8		D3520-FIA0-0000	BRAKE DISK	1
24-9		D3251-FIA0-0000	BRAKE DISK MOUNTING SEAT	1
24-10		I0110-10811	BOLT, SOCKET	3
24-11		I0401-10034	FLANGE BOLT, HEX.	2
24-12		I0201-10118	WASHER	4
24-13		D3210-5IT0-0000	REAR BRAKE OIL TUBE	1
24-14		C7205-FIGT-0000	MAGNET	1
24-15		I9901-08100	WASHER, SPRING	2
24-16		D2313-FIA0-0000	OIL SEAL (48x62x7)	1
24-17		H7106-FIA0-0000	WARNING STICKER, CHAIN	1

25.HANDLE BAR



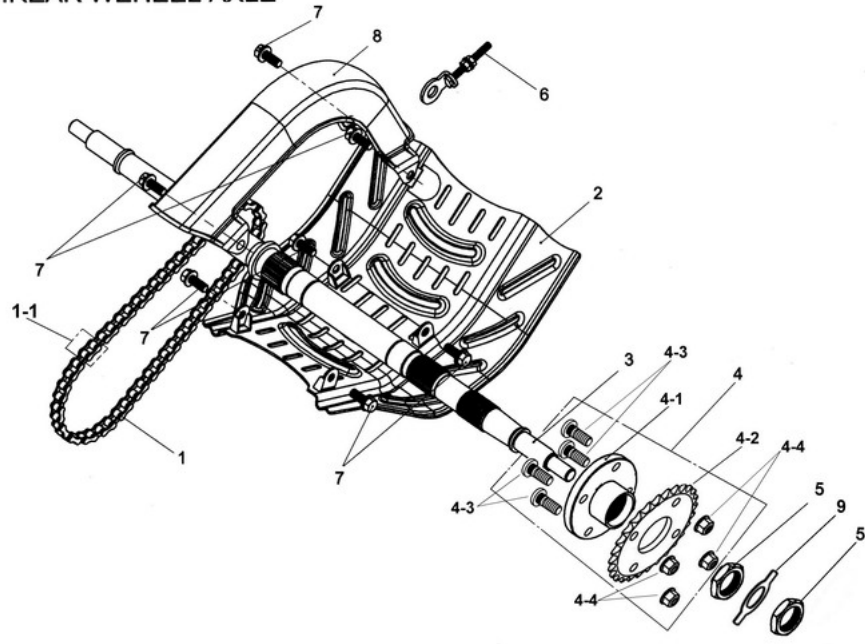
ITEM	AVAIL	PART NO.	NAME	QTY
25			HANDLE BAR	
25-1		E3100-5IT0-0000	HANDLE BAR	1
25-2		E3180-5IK0-0000	LEVEL ASSY, RIGHT	1
25-2-1		E3181-9PA0-0000	LEVEL SET,(RIGHT)	1
25-2-2		E319A-5EA0-0000	LEVEL ACCELERATE	1
25-2-3		E3174-5EA0-0000	BARKE SWITH ASSY.	1
25-3		D3200-FIAT-0000	BRAKE MASTER CYLINDER,LEFT	1
25-3-1		E3181-LRA0-0000	LEVER ,RIGHT	1
25-3-2		D3202-FIA0-0000	BRAKE SWITCH ASSY.	1
25-4		E3166-5EA0-0000	GRIP	2
25-5		E3112-5EA0-0000	BOTTOM,HANDLE BAR CLAMP	2
25-6		E3110-5EA0-0000	CAP,HANDEL BAR CLAMP(L)	1
25-7		E3111-5EA0-0000	CAP,HANDEL BAR CLAMP(R)	1
25-8		I0050-06025	BOLT, SOCKET	4
25-9		I5611-10200	HEX. FLANGE NUT, SAFETY	2

26. BUMPER, FOOTREST BAR



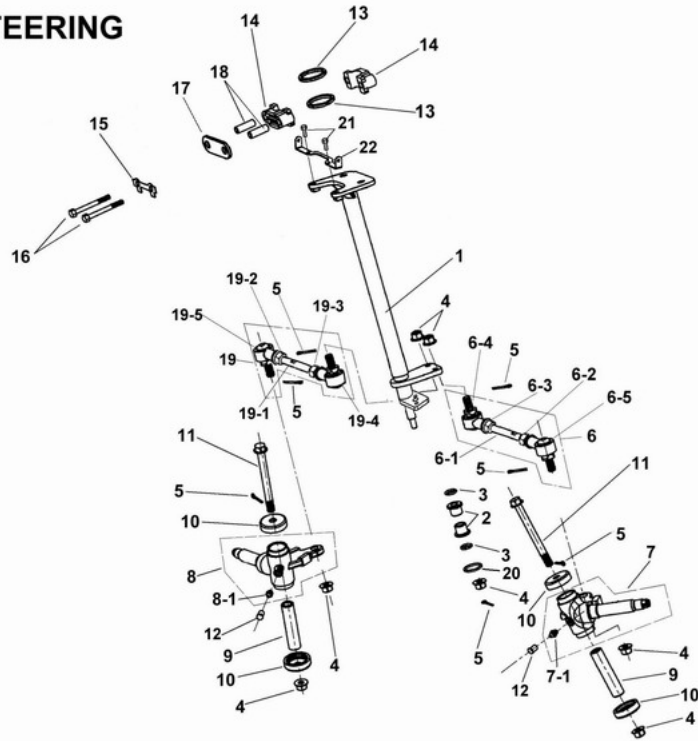
ITEM	AVAIL	PART NO.	NAME	QTY
26			BUMPER, FOOTREST	
26-1		E0700-FIA0-0000	FOOTREST BAR	1
26-2		E0700-FID0-0000	FOOTREST BAR	1
26-3		I7507-FIA0-0000	BOLT, HEX.	8
26-4		I5611-06200-0G	HEX. FLANGE NUT, SAFETY	3
26-5		I0149-06823	SCREW	7
26-6		I0119-06802	BOLT, HEX.	1
26-7		E0400-FID0-0000	BUMPER ASSY.	1
26-8		I0105-08035	BOLT FLANGE	2
26-9		E0410-FIE0-0700	REAR BAR ASSY.	1
26-10		I0149-08016	FLANGE BOLT, HEX.	8
26-11		I9901-08100	WASHER, SPRING	8
26-12		E0402-FID0-0000	COLLAR, BUMPER	4
26-13		H4751-FIE0-0000	PLASTIC PLATE,LICENSE	2
26-14		I4104-06515	WASHER	1
26-15		C3741-5BA0-0000A	RETRO REFLECTOR	1
26-16		I2020-50001	NYLON NUT	1
26-17		H1104-BCA0-0000	COLLAR	2
26-18		F0703-BCA0-0000	DAMPER	2
26-19		E0402-FIE0-0000	COLLAR, BUMPER	2
26-20		I0105-08040	BOLT, FLANGE	2

27. REAR WHEEL AXLE



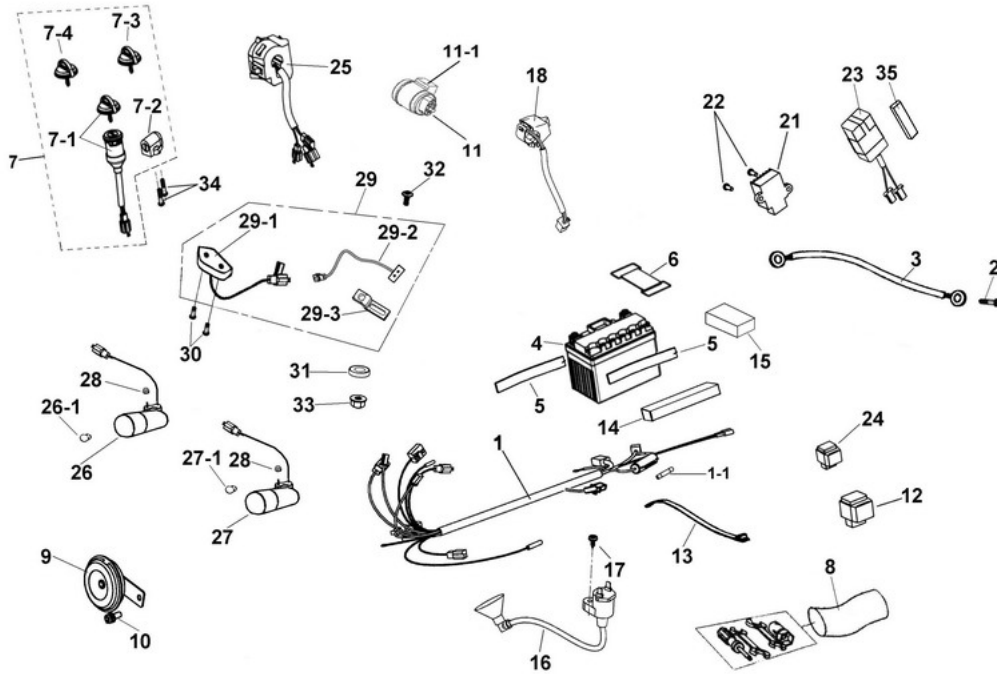
ITEM	AVAIL	PART NO.	NAME	QTY
27			REAR WHEEL AXLE	
27-1		D0100-5IK0-0000	DRIVER CHAIN ASSY(520HX82L)	1
27-2		D0101-FIA0-1000	PROTECT COVER	1
27-3		D2301-5IK0-0000	REAR AXLE	1
27-4		D0110-FIA0-0000	SPROCKET HOLDER,REAR ASSY.	1
27-4-1		D0111-FIA0-0000	SPROCKET HOLDER,REAR(34T)	1
27-4-2		D1111-FIA0-0000	GEAR(520X34T)	1
27-4-3		D2706-9EA0-0000	BOLT	4
27-4-4		I5611-10200	HEX. FLANGE NUT, SAFETY	4
27-5		D2302-FIA0-0000	NUT REAR WHEEL AXLE(M28x1.5)	2
27-6		D0120-FIA0-0001	CHAIN ADJUSTER COMP.	1
27-7		I0149-08016	FLANGE BOLT, HEX.	7
27-8		D0102-FIA0-0000	DRIVE CHAIN COVER	1
27-9		D2303-GJA0-0000	PLATE FIXED REAR AXLE(USED WITH D2301-GJ)	1

28. STEERING



ITEM	AVAIL	PART NO.	NAME	QTY
28			STEERING	
28-1		E3200-FIE0-0000	SHAFT ASSY., STEERING	1
28-2		E3201-FIA0-0000	OIL LINER	2
28-3		E3204-FIA0-0000	O-RING	2
28-4		I5611-10200	HEX. FLANGE NUT, SAFETY	7
28-5		I9900-25019	PIN, SPLIT	7
28-6		E0258-FIA0-1000	STEERING TIE-ROD ASSY,LEFT	1
28-6-1		E0251-FIA0-1000	BOLT,STUD	1
28-6-2		E0252-5EA0-0000	NUT (R)	1
28-6-3		E0253-5EA0-0000	NUT (L)	1
28-6-4		E0255-FIA0-1000	UNIVERSAL JOINT(L)	1
28-6-5		E0256-FIA0-1000	UNIVERSAL JOINT(R)	1
28-7		E0205-FIA0-1000	KNUCKLE, LEFT	1
28-7-1		I6600-06000	GREASE VALVE	1
28-8		E0215-FIA0-1000	KNUCKLE, RIGHT	1
28-8-1		I6600-06000	GREASE VALVE	1
28-9		E0211-9FA0-0000	SLEEVE	2
28-10		E0203-9FA0-0000	CAP	4
28-11		I5701-10105-0A	FLANGE BOLT, HEX.	2
28-12		E0209-5EA0-9000	CAP, GREASE VALVE	2
28-13		E3209-FIA0-0000	OIL SEAL(31.8x37.8x4)	2
28-14		E3202-FIA0-0000	HOLDER, STEERING SHAFT	2
28-15		E3203-FIA0-0000	FIX PLATE, STEERING SHAFT	1
28-16		I0020-08060	BOLT, HEX.	2
28-17		E3210-FIA0-0000	HOLDER, STEERING SHAFT PRESSED PLATED	1
28-18		E3208-FIA0-0000	STEERING , COLLAR	2
28-19		E0259-FIA0-1000	STEERING TIE-ROD ASSY,RIGHT	1
28-19-1		E0251-FIA0-1000	BOLT,STUD	1
28-19-2		E0252-5EA0-0000	NUT (R)	1
28-19-3		E0253-5EA0-0000	NUT (L)	1
28-19-4		E0255-FIA0-1000	UNIVERSAL JOINT(L)	1
28-19-5		E0256-FIA0-1000	UNIVERSAL JOINT(R)	1
28-20		I4608-09424	O-RING	1
28-21		I0149-06012	FLANGE BOLT, HEX.	2
28-22		C7203-FIE0-0000	HANDLE COVER FIXED	1

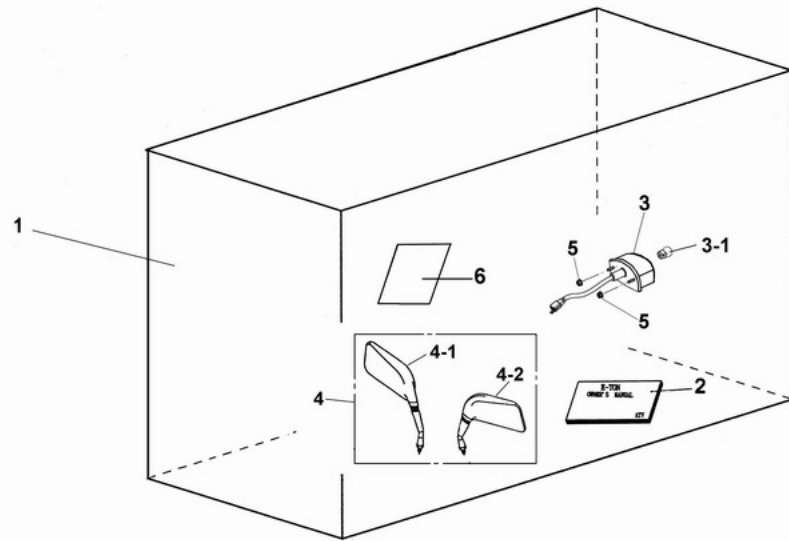
29.ELECTRICAL EQUIPMENT



ITEM	AVAIL	PART NO.	NAME	QTY
29			ELECTRICAL EQUIPMENT	
29-1		C2100-5IT0-0000	HARNESS WIRE	1
29-1-1		C2010-5EA0-0000	FUSE(7A)	1
29-2		I0153-06012	SCREW	1
29-3		C2102-5IT0-0000	EARTH CABLE	1
29-4		C1500-9FA0-0000	BATTERY	1
29-5		C1501-9FA0-0000	FOAM STICK, BATTERY	2
29-6		C1502-9FA0-0000	RUBBER CLAMP, BATTERY(89L)	1
29-7		C501A-5PA0-0001	MAIN SWITCH COMP	1
29-7-1		C5010-9FA0-0000	MAIN SWITCH	1
29-7-1-1		C5013-9FA0-0000	MATERIAL KEY (RIGHT CUT)	1
29-7-1-2		C5018-9FA0-0000	MATERIAL KEY (LEFT CUT)	1
29-7-2		C5011-FIC0-0000	FAUCET LOCK	1
29-7-3		C5013-9FA0-0000	MATERIAL KEY (RIGHT CUT)	1
29-7-4		C5018-9FA0-0000	MATERIAL KEY (LEFT CUT)	1
29-8		H9020-9FA0-0000	TOOL SET	1
29-9		C8110-5BA0-E000	HORN	1
29-10		I8556-06012	SCREW PAN	1
29-11		C830A-5PA0-0000	FLY RELAY ASSY	1
29-12		C5850-FIC0-0000	RELAY	1
29-13		H3936-5AA0-0000	WIRE CLAMP	1
29-14		C1501-5IT0-0000	FOAM EVA LUMP A	1
29-15		C1503-5IT0-0000	FOAM EVA LUMP B	1
29-16		C051A-5EE0-0000	IGNITION COIL ASSY.	1
29-17		I3401-05020-07	BOLT, HEX.	1
29-18		C5300-9EF0-0000	SHIFT SWITCH	1
29-21		C1600-B00-0000	RECTIFIER COMP REGULATE	1
29-22		I8506-05016	SCREW PAN	2
29-23		C0410-B11-0000	CDI UNIT COMP	1
29-24		C5850-B00-0000	STARTER RELY ASSY.	1
29-25		C5200-5IK0-0000	LEVER, LEFT HOLDER	1
29-26		C3401-FIE0-0000	TURN LAMP ASSY,RIGHT	2
29-26-1		C3402-FIE0-0000	TURN LAMP BULB(10W)	1
29-27		C3451-FIE0-0000	TURN LAMP ASSY,LEFT	2
29-27-1		C3402-FIE0-0000	TURN LAMP BULB(10W)	1
29-28		I4073-050A0	NUT WASHER	4
29-29		C7200-5IT0-0000	SPEED METER	1
29-29		C7200-5IT9-0000	SPEED METER (MILE)	1
29-29-1		C7201-FIE0-0000	SPEEDOMETER	1

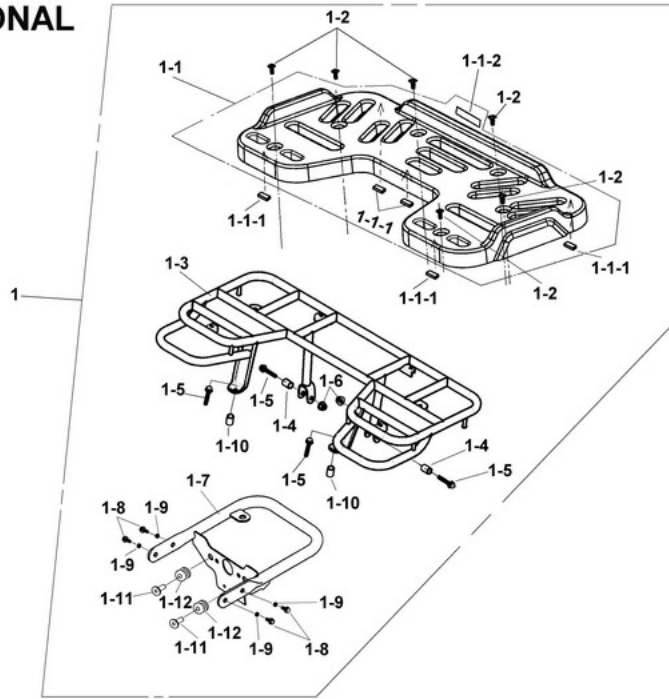
29-29-1		C7201-FIE9-0000	SPEED METER (MILE)	1
29-29-2		C7207-FIGT-0000	METER SENSOR	1
29-29-2		C7207-FIGT-0000	METER SENSOR	1
29-29-3		C7208-FIGT-0000	HOLDER SENSER	1
29-29-3		C7208-FIGT-0000	HOLDER SENSER	1
29-30		I8506-05010	SCREW PAN	2
29-31		C7210-5IT0-0000	SPACER	1
29-32		I5827-08030	FLANGE BOLT, HEX.	1
29-33		I5611-08200	HEX. FLANGE NUT, SAFETY	1
29-34		I8501-5BA1-0000	BOLT,BROKENABLE	2
29-35		A7509-FID0-0000	LH. BACK MIRROR ASSY	1

30.PACKING CASE,EXTERNAL



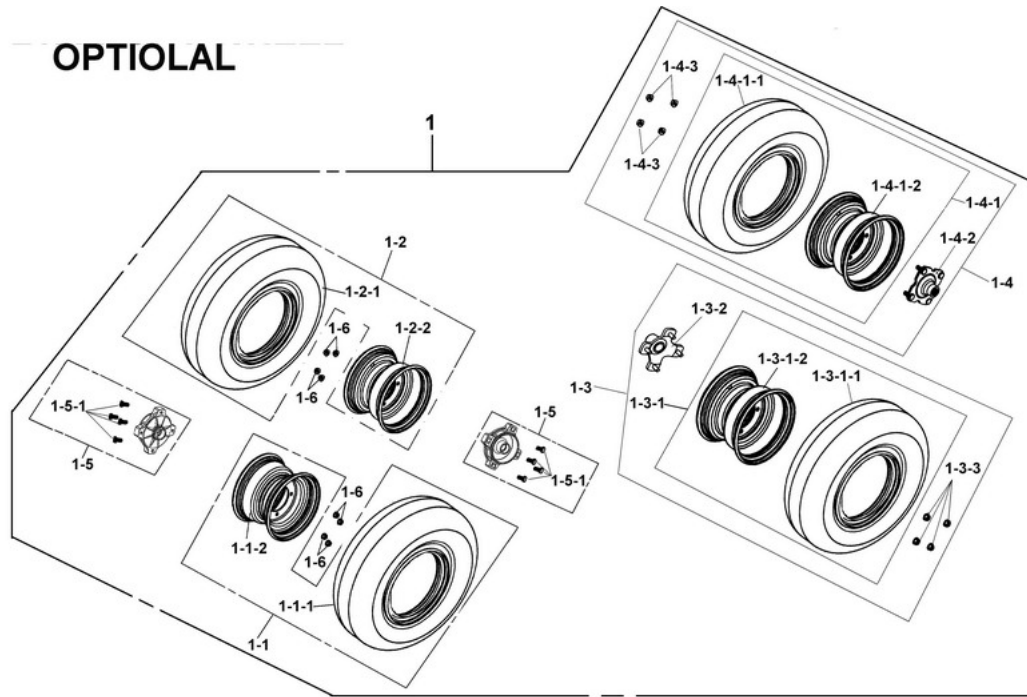
ITEM	AVAIL	PART NO.	NAME	QTY
30			PACKING CASE,EXTERNAL	
30-1		H9500-FIB0-0000	PACKING CASE,EXTERNAL	1
30-2	N	H9900-5IT0-0000	OWNER'S MANUAL	1
30-3		C5031-FID0-9000	TAIL LIGHT	1
30-3-1		C5004-5BA1-0000	LAMP	1
30-4		H8100-LRC0-0000	BACK MIRROR ASSY	1
30-4-1		H8110-LRC0-0000	REAR VIEW MIRROR ASSY,R	1
30-4-2		H8120-LRC0-0000	REAR VIEW MIRROR ASSY,L	1
30-5		I5611-06200-0G	HEX. FLANGE NUT, SAFETY	2
30-6	N	H9905-FIE0-9000	EC CERTIFICATE OF CONFORMITY	1

31.OPTIONAL



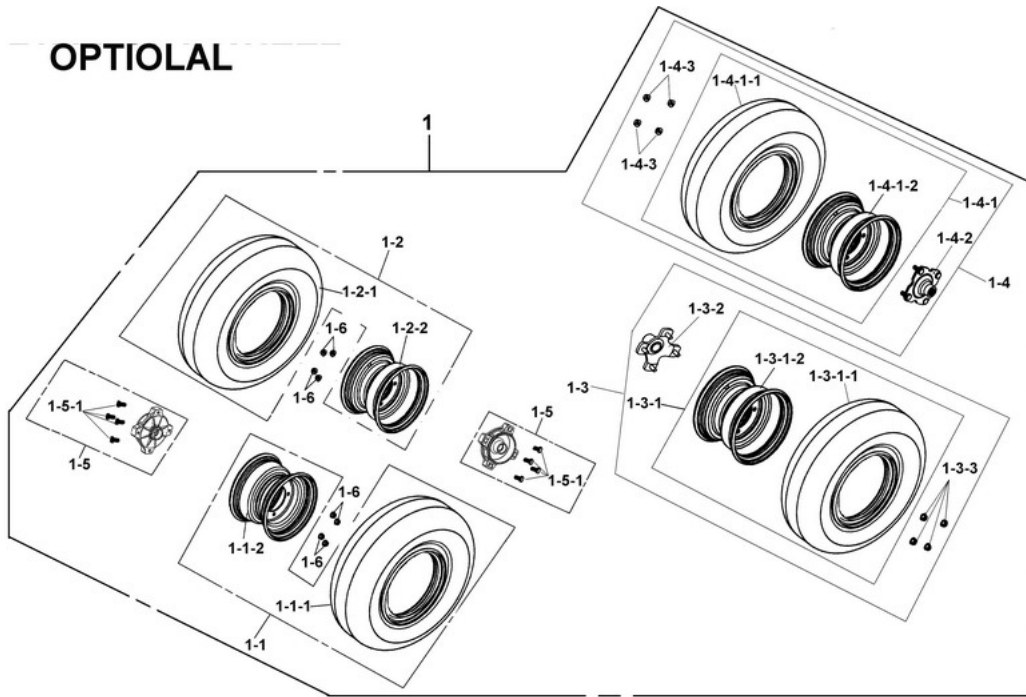
ITEM	AVAIL	PART NO.	NAME	QTY
31			OPIIONAL	
31-1		E041A-FIE0-0000	REAR PACK ASSY	1
31-1-1		F4001-FIC0-0000	CARRIER COVER REAR	1
31-1-1-1		C1501-FIB0-0000	FOAM-RUBBER STICK	7
31-1-1-1		C1501-FIB0-0000	FOAM-RUBBER STICK	5
31-1-1-2		H7113-9FB0-0000	CARRIER COVER,STICKER	1
31-1-1-2		H7113-9FB0-0000	CARRIER COVER,STICKER	1
31-1-2		E0117-9EA0-0000	SCREW, TRUSS	6
31-1-3		E0411-FIE0-0000	REAR PACK	1
31-1-4		E0402-9FA0-0000	COLLAR,BUMPER	2
31-1-5		I0105-08040	BOLT, FLANGE	4
31-1-6		I5616-08200	NUTFLANGE CHECK	2
31-1-7		E0410-FID0-0000	REAR BAR ASSY.	1
31-1-8		I0149-08016	FLANGE BOLT, HEX.	4
31-1-9		I9901-08100	WASHER, SPRING	4
31-1-10		E0402-FIE0-0000	COLLAR, BUMPER	2
31-1-11		H1104-BCA0-0000	COLLAR	2
31-1-12		F0703-BCA0-0000	DAMPER	2

OPTIOLAL



ITEM	AVAIL	PART NO.	NAME	QTY
32			OPTIONAL	
32-1		D471S-5IT0-00NA	TIPE , ACCESSORIES (ON ROAD,ALUMINUM 10*5.5)	1
32-1-1		D471A-5IT0-00NA	FRONT WHEEL COMP,LEFT(ON ROAD, ALUMINUM 10*5.5)	1
32-1-1-1		D4710-FIE0-0000	WHEEL TIRE (ON ROAD)	1
32-1-1-2		D4601-5IK0-9700	(10"×5.5)WHEEL RIM(ALUMINUM)	1
32-1-2		D471B-5IT0-00NA	FRONT WHEEL ASSY,RIGHT(ON ROAD,ALUMINUM 10*5.5)	1
32-1-2-1		D4710-FIE0-0000	WHEEL TIRE (ON ROAD)	1
32-1-2-2		D4601-5IK0-9700	(10"×5.5)WHEEL RIM(ALUMINUM)	1
32-1-3		D472C-5IT0-00NA	REAR WHELL ASSY,LEFT(ON ROAD,ALUMINUM 9*8)	1
32-1-3-1		D471C-5IT0-00NA	REAR WHEEL COMP,LEFT(ON)(ALUMINUM)	1
32-1-3-1-1		D4720-FIE0-0000	WHEEL TIRE (20×11-9)	1
32-1-3-1-2		D4602-5IK0-7700	WHEEL RIM (9*8")(ALUMINUM)	1
32-1-3-2		D2705-GJA0-0000	SHAFT CONNECTER WITH BOLTS	1
32-1-3-3		D4611-FIC0-0000	NUT	4
32-1-4		D472D-5IT0-00NA	REAR WHELL ASSY,RIGHT(ON ROAD,ALUMINUM 9*8)	1
32-1-4-1		D471D-5IT0-00NA	REAR WHEEL COMP,RIGHT(ON)(ALUMINUM)	1
32-1-4-1-1		D4720-FIE0-0000	WHEEL TIRE (20×11-9)	1
32-1-4-1-2		D4602-5IK0-0700	WHEEL RIM (9*8")(ALUMINUM)	1
32-1-4-2		D2705-GJA0-0000	SHAFT CONNECTER WITH BOLTS	1
32-1-4-3		D4611-FIC0-0000	NUT	4
32-1-5		D4610-5IK0-0000	BRAKE DRUM, FRONT	2
32-1-5-1		D4612-5IK0-0000	BOLT,STUD	8
32-1-6		D4611-FIC0-0000	NUT	8

OPTIOLAL



ITEM	AVAIL	PART NO.	NAME	QTY
33			OPTIONAL	
33-1		D471S-5IT0-00FA	TIPE , ACCESSORIES (OFF ROAD,ALUMINUM 10*5.5)	1
33-1-1		D471A-5IT0-00FA	FRONT WHELL COMP,LEFT(OFF ROAD, ALUMINUM 10*5.5)	1
33-1-1-1		D4710-5IT0-0000	WHEEL TIRE (20*6-10)	1
33-1-1-2		D4601-5IK0-9700	(10"×5.5)WHEEL RIM(ALUMINUM)	1
33-1-2		D471A-5IT0-00FA	FRONT WHELL COMP,LEFT(OFF ROAD, ALUMINUM 10*5.5)	1
33-1-2-1		D4710-5IT0-0000	WHEEL TIRE (20*6-10)	1
33-1-2-2		D4601-5IK0-9700	(10"×5.5)WHEEL RIM(ALUMINUM)	1
33-1-3		D472C-5IT0-00FA	REAR WHELL ASSY,LEFT(OFF ROAD,ALUMINUM 9*8)	1
33-1-3-1		D471C-5IT0-00FA	REAR WHEEL COMP,LEFT(OFF)(ALUMINUM)	1
33-1-3-1-1		D4720-5IT0-0000	WHEEL TIRE (20*10-9)	1
33-1-3-1-2		D4602-5IK0-7700	WHEEL RIM (9*8")(ALUMINUM)	1
33-1-3-2		D2705-GJA0-0000	SHAFT CONNECTER WITH BOLTS	1
33-1-3-3		D4611-FIC0-0000	NUT	4
33-1-4		D472D-5IT0-00FA	REAR WHELL ASSY,RIGHT(OFF,ALUMINUM 9*8)	1
33-1-4-1		D471D-5IT0-00FA	REAR WHEEL COMP,RIGHT(OFF)(ALUMINUM)	1
33-1-4-1-1		D4720-5IT0-0000	WHEEL TIRE (20*10-9)	1
33-1-4-1-2		D4602-5IK0-0700	WHEEL RIM (9*8")(ALUMINUM)	1
33-1-4-2		D2705-GJA0-0000	SHAFT CONNECTER WITH BOLTS	1
33-1-4-3		D4611-FIC0-0000	NUT	4
33-1-5		D4610-5IK0-0000	BRAKE DRUM, FRONT	2
33-1-5-1		D4612-5IK0-0000	BOLT,STUD	8
33-1-6		D4611-FIC0-0000	NUT	8